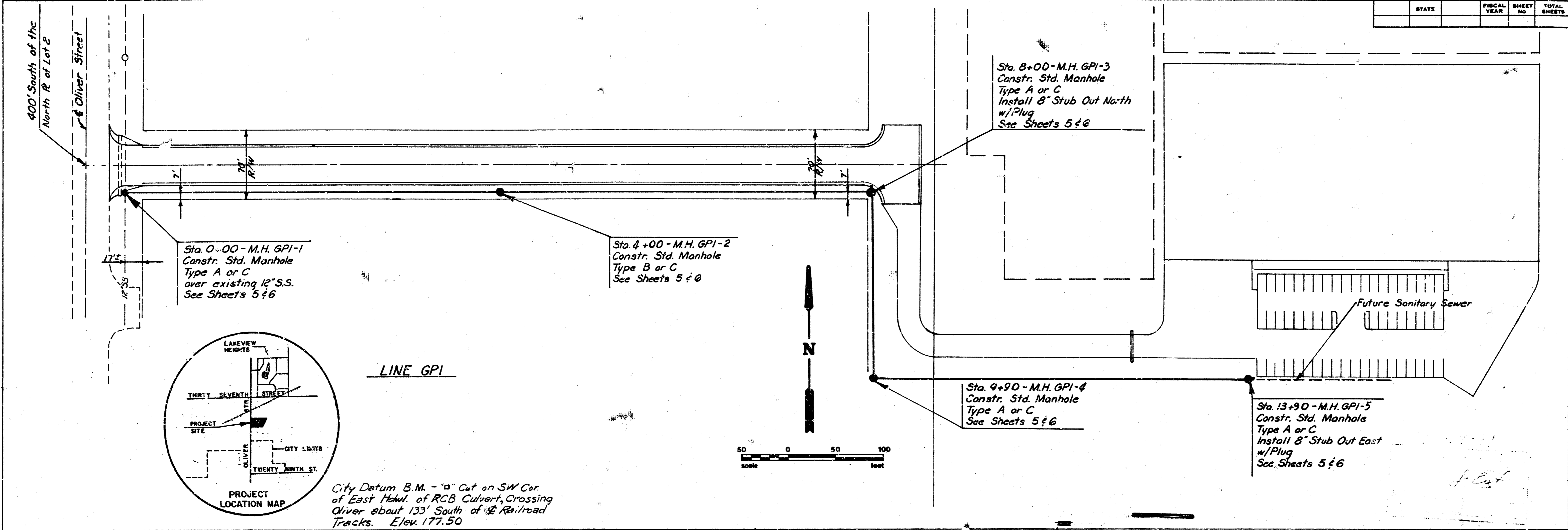
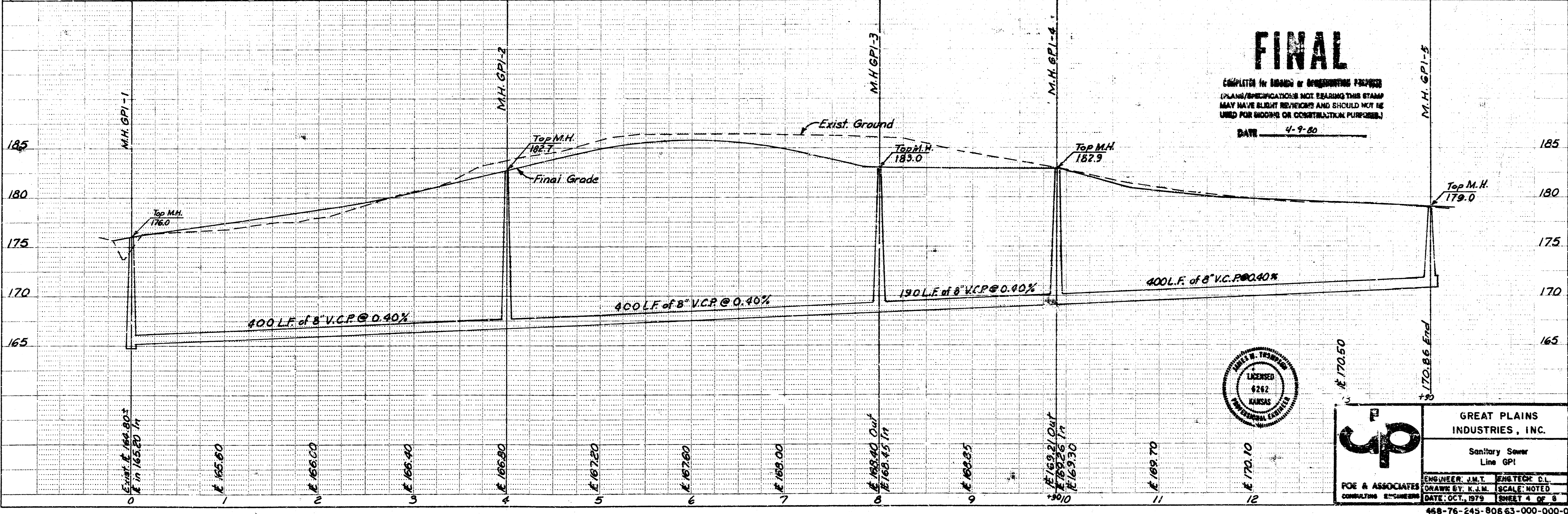


DATE	
BY	
PROJECT	
REVISED	
BY	
DATE	
BY	
DATE	
BY	
DATE	

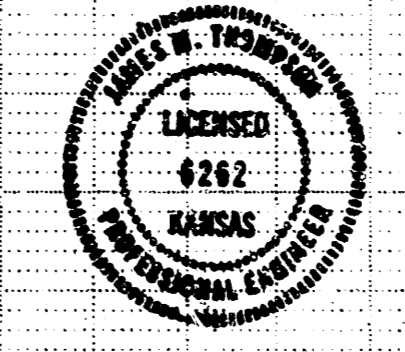


STATE	
FISCAL YEAR	
SHEET NO.	
TOTAL SHEETS	

DATE	
BY	
PROJECT	
REVISED	
BY	
DATE	
BY	
DATE	
BY	
DATE	



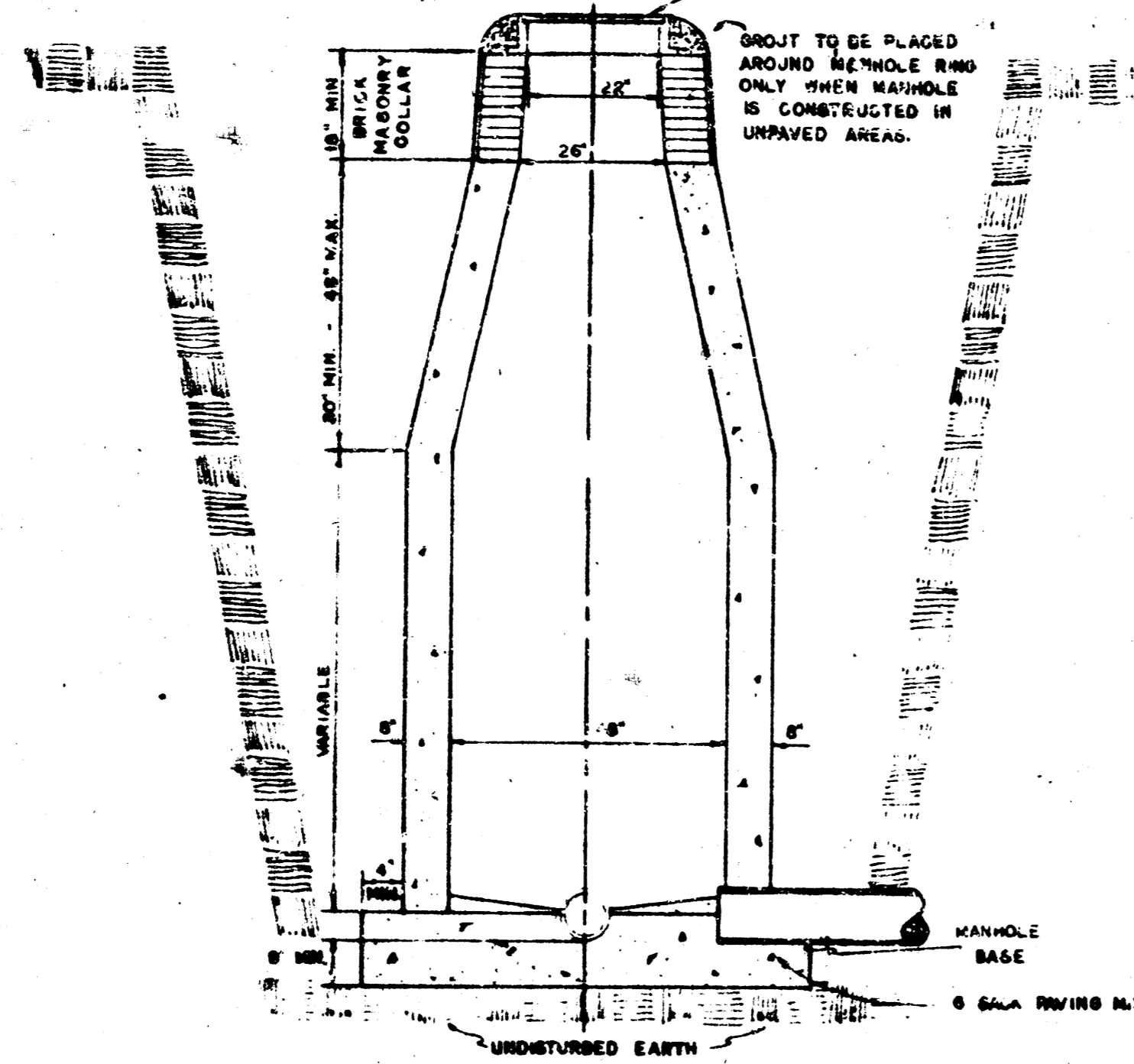
FINAL
 COMPLETED IN ACCORDANCE WITH REQUIREMENTS FOR THE PROJECT
 (PLANS/SPECIFICATIONS NOT BEARING THIS STAMP
 MAY HAVE SUBJECT REVIEWERS AND SHOULD NOT BE
 USED FOR BIDDING OR CONSTRUCTION PURPOSES)
 DATE 4-9-20



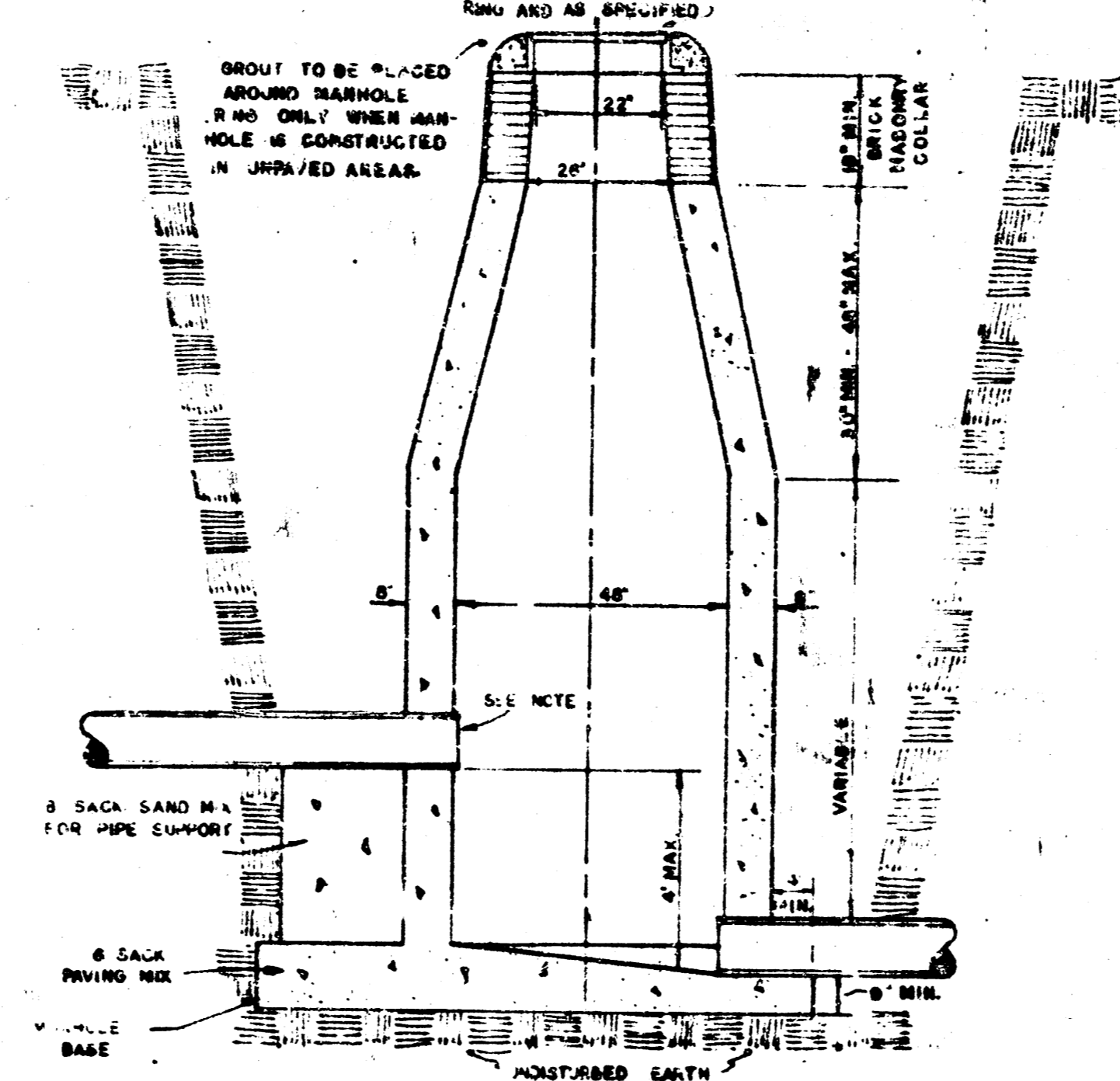
GREAT PLAINS INDUSTRIES, INC.
 Sanitary Sewer Line GPI
 ENGINEER: J.M.T. FINETECH C.I.
 DRAWN BY: K.J.M. SCALE: NOTED
 DATE: OCT. 1979 SHEET 4 OF 8
 468-76-245-806 63-000-000-008

AVAILABLE COPY...
 FILMED FROM THE BEST

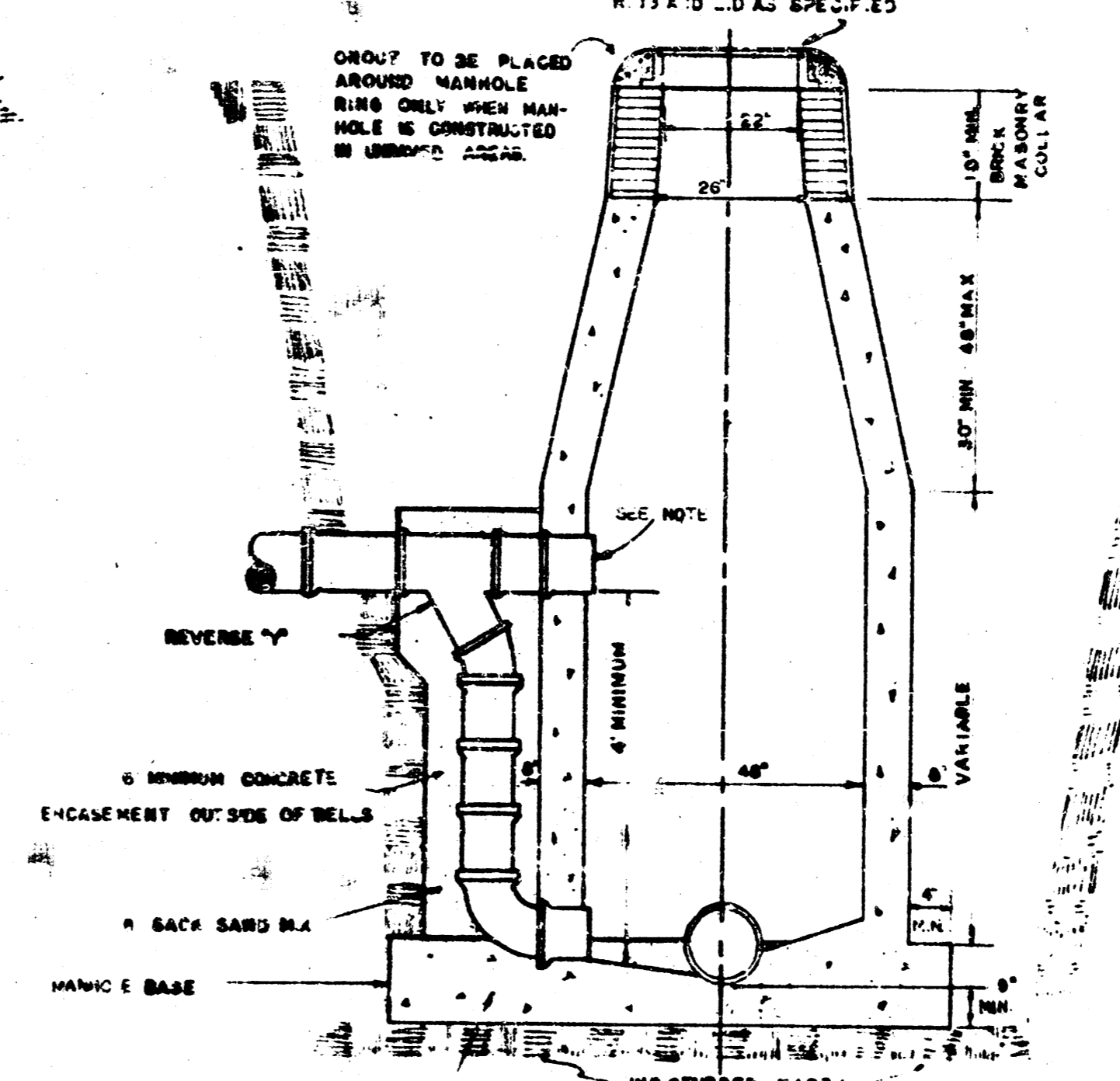
STANDARD MANHOLE, TYPE "C"
RING AND JOINT AS SPECIFIED



DROP MANHOLE, TYPE "C"
RING AND JOINT AS SPECIFIED



OUTSIDE DROP MANHOLE, TYPE "C"
RING AND JOINT AS SPECIFIED



GENERAL NOTES

MORTAR USED IN MASONRY CONSTRUCTION SHALL CONTAIN 8 BAGS OF CEMENT PER CUBIC YARD.

STANDARD MANHOLES TYPE "C" AND STANDARD DROP MANHOLES TYPE "C" SHALL BE BID AS STANDARD MANHOLES FOR THE TYPE AND DIAMETER INDICATED.

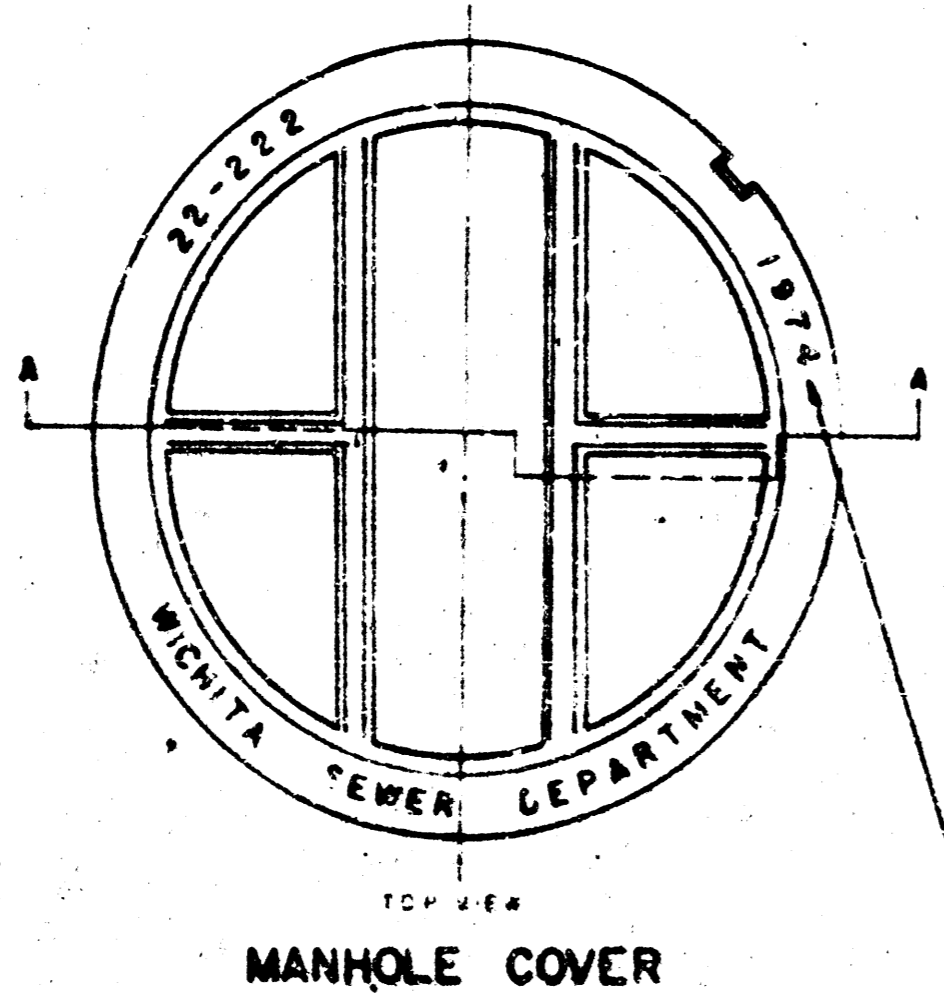
OUTSIDE DROP MANHOLES TYPE "C" SHALL BE BID AS STANDARD OUTSIDE DROP MANHOLES FOR THE TYPE AND DIAMETER INDICATED. ALL MANHOLE DIAMETERS WILL BE 4 FT. UNLESS INDICATED OTHERWISE. MANHOLES WITH PIPE SIZES LARGER THAN 24" SHALL BE 3 FT. DIAMETER.

THE FLOORS OF ALL MANHOLES SHALL BE SHAPED TO INCREASE HYDRAULIC EFFICIENCY USING 6 SACK SAND MIX CONCRETE.

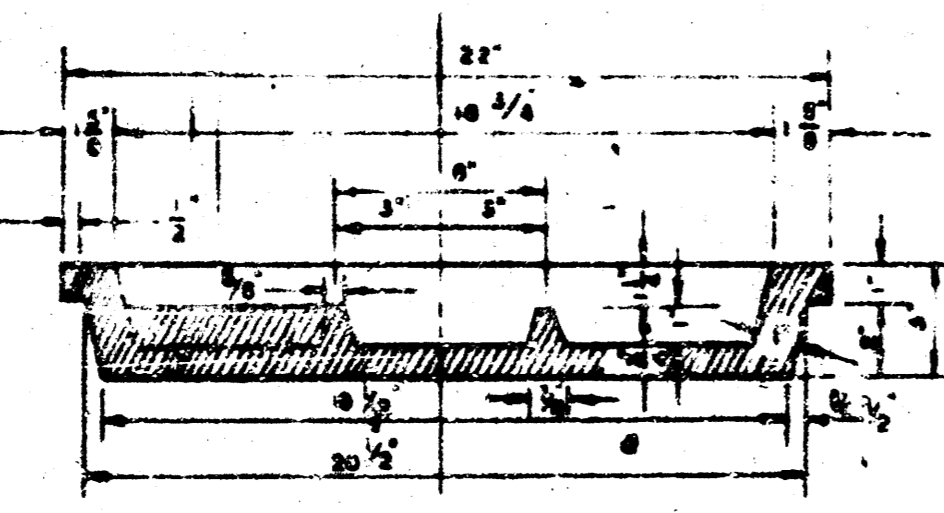
CAST IN PLACE CIRCULAR CONCRETE MANHOLES ARE TO BE CONSTRUCTED ONLY ON SEWERS NOT SUBJECT TO DETEIORATION OF CONCRETE DUE TO FORMATION OF HYDROGEN SULFIDE GAS AND IN LOCATIONS WHERE IT IS OBVIOUS THAT SETTLEMENT OF THE MANHOLE BOTTOM WHICH MAY BE NECESSARY, WILL NOT REQUIRE MODIFICATION OF THE CONCRETE BARREL.

PIPES INSTALLED WITHIN THE MANHOLE EXCAVATION SHALL BE CRADLED WITH CONCRETE TO THE LIMITS OF THE MANHOLE EXCAVATION. COST OF CRADLE WITHIN MANHOLE EXCAVATION SHALL BE INCLUDED IN THE PRICE BID FOR THE MANHOLE.

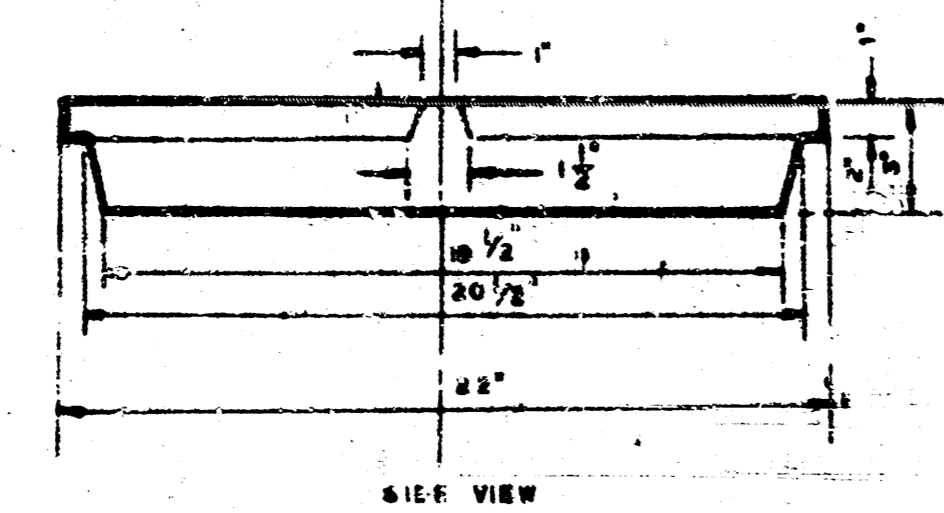
NOTE: REINFORCING STEEL SHALL BE INSTALLED IN THE MANHOLE BASES 6" ABOVE THE BOTTOM. REINFORCING STEEL SHALL CONSIST OF NO. 4 BARS PLACED ON 6" CENTERS IN BOTH DIRECTIONS. THE COST OF REINFORCING STEEL IS TO BE INCLUDED IN THE PRICE BID FOR THE MANHOLE.



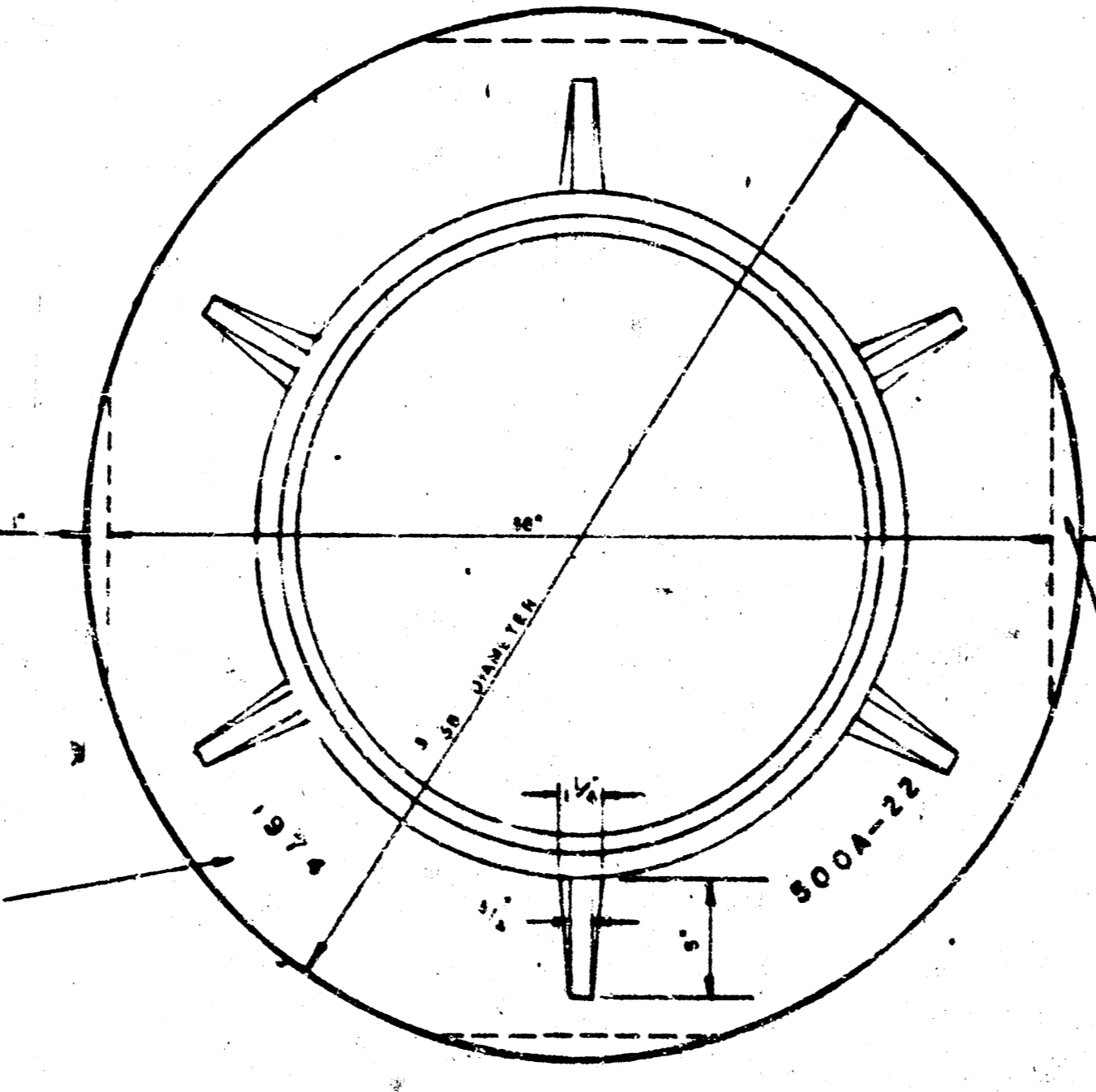
MANHOLE COVER
TOP VIEW



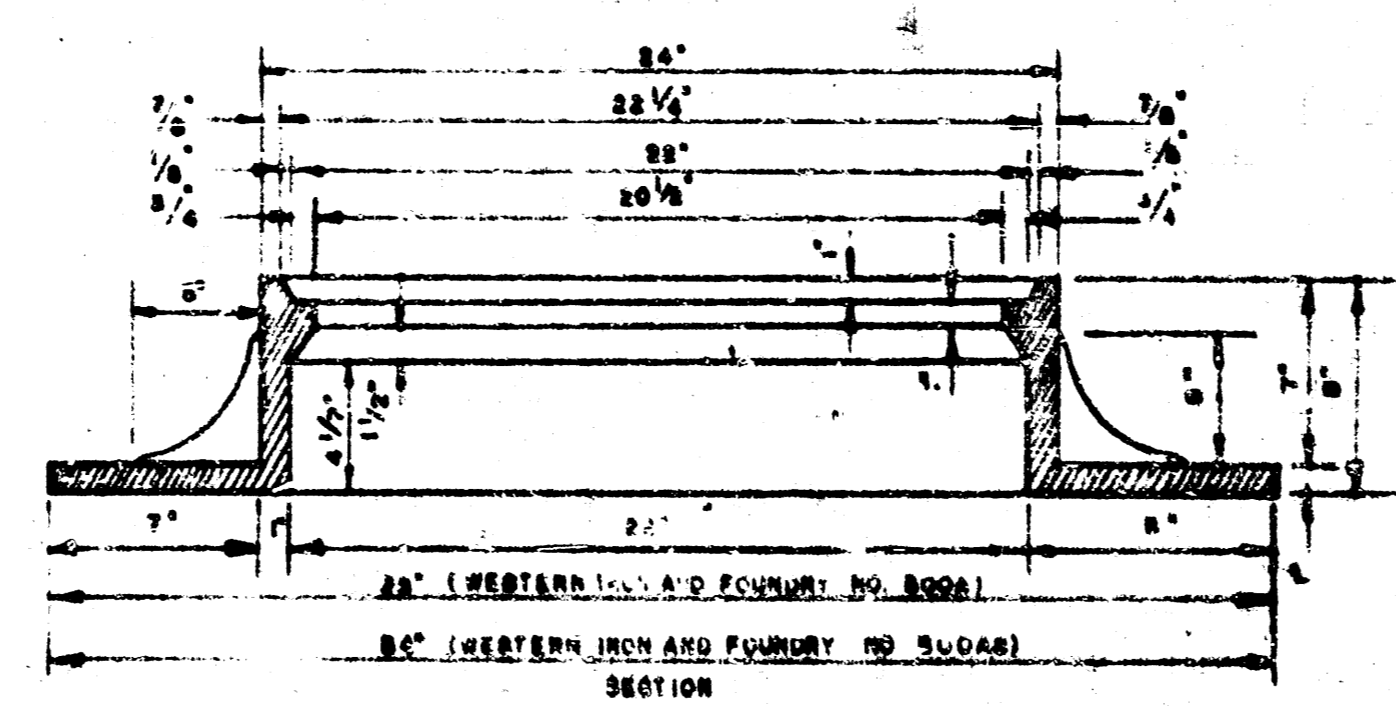
MANHOLE COVER
SECTION A-A



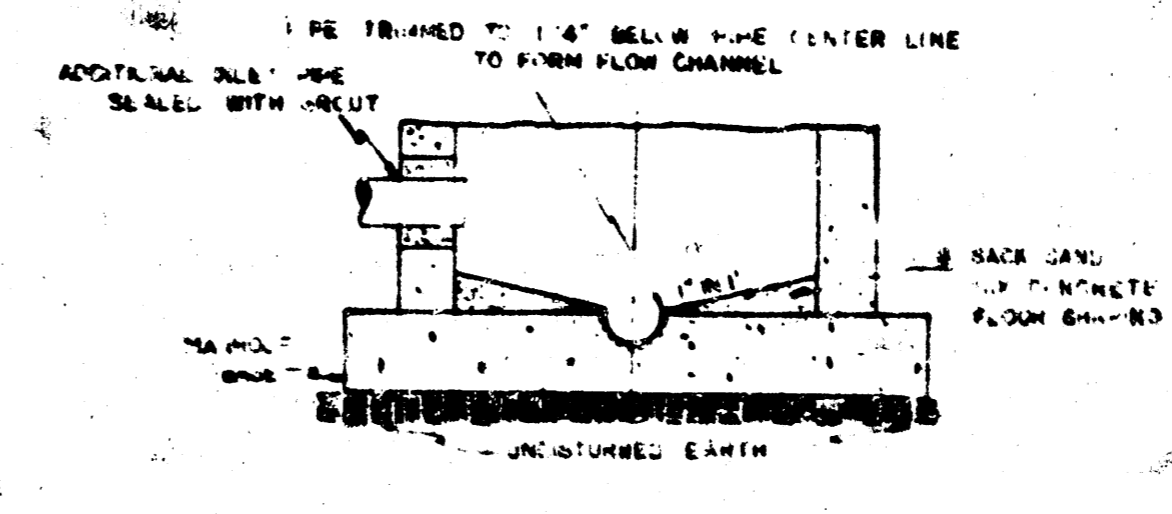
MANHOLE COVER
SIDE VIEW



MANHOLE RING
TOP VIEW



MANHOLE RING
SECTION



SECTIONAL ELEVATION-INVERT

NOTE: OPENING FOR INLET PIPE CUT IN MANHOLE WALL AND PIPE GROUTED IN PLACE WITH NON-SHRINKING GROUT. EXTERIOR OF COMPLETED CONNECTION TO BE SEALED WITH APPROVED COATING.

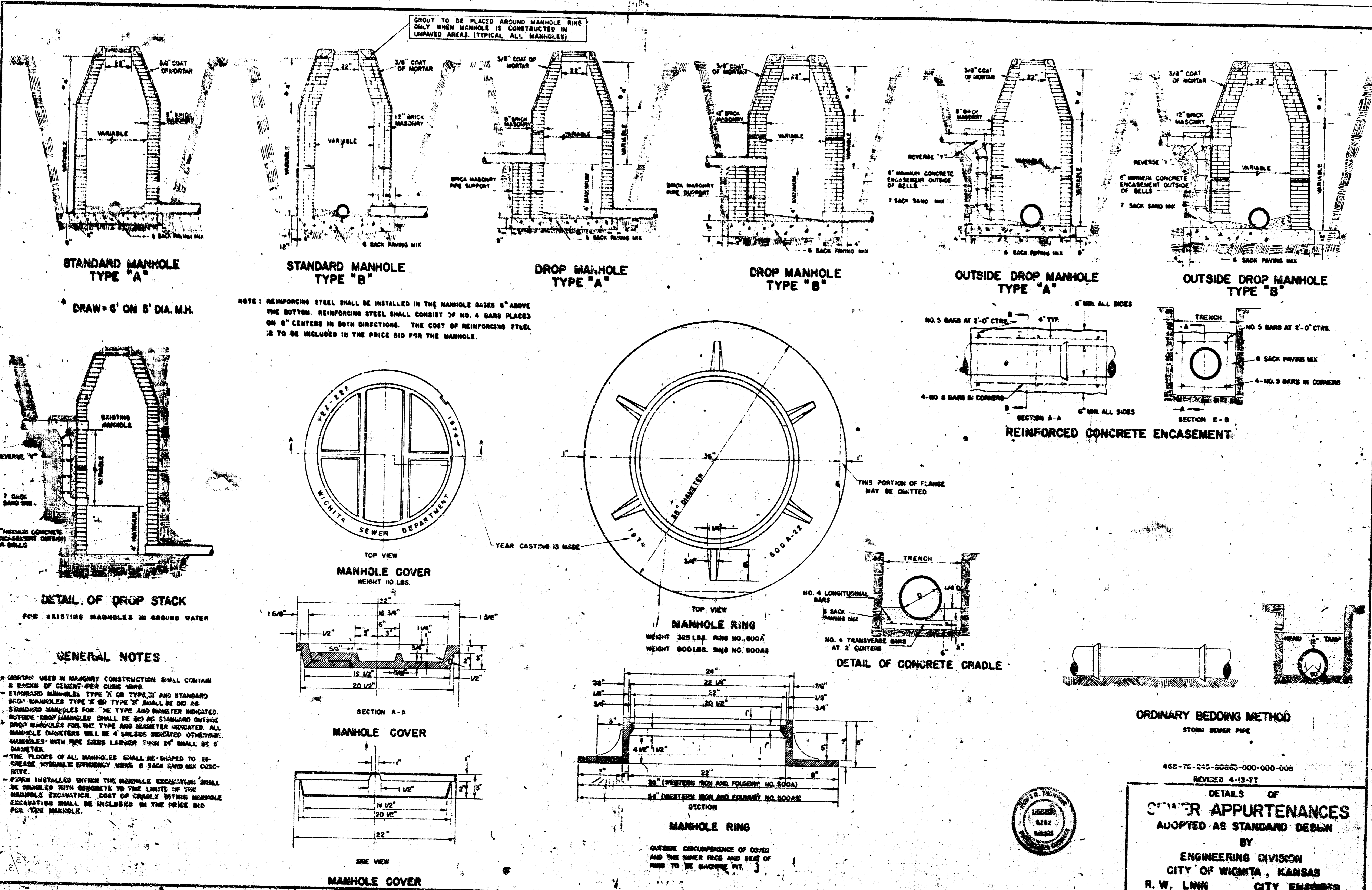
488-76-248-80863-000-000-008
REVISED 1-18-77



DETAILS OF SEWER APPURTENANCES
ADOPTED AS STANDARD DESIGN
BY
SEWERING DIVISION
CITY OF WICHITA, KANSAS
R. W. LINN CITY ENGINEER
1974

GREAT PLAINS INDUSTRIES, INC. DHT. 8. 87-3

AVAILABLE COPY... FILMED FROM THE BEST



FILED FROM THE BEST AVAILABLE COPY

466-76-245-80663-000-008
REVISED 4-13-77

DETAILS OF
CITY APPURTENANCES
ADOPTED AS STANDARD DESIGN
BY
ENGINEERING DIVISION
CITY OF WICHITA, KANSAS
R. W. LINN CITY ENGINEER
1974

GREAT PLAINS INDUSTRIES, INC. SHT. 5 OF 3