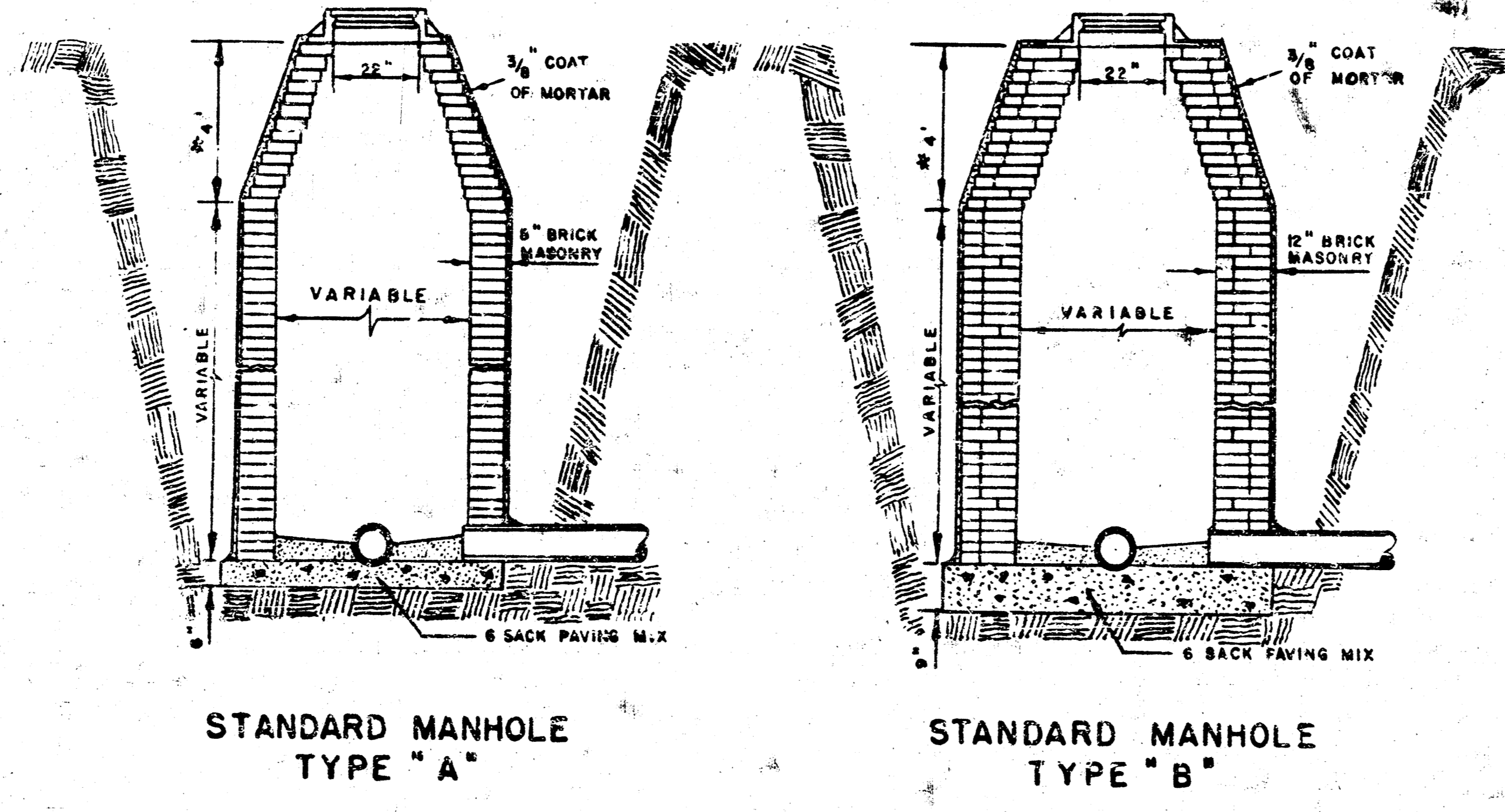
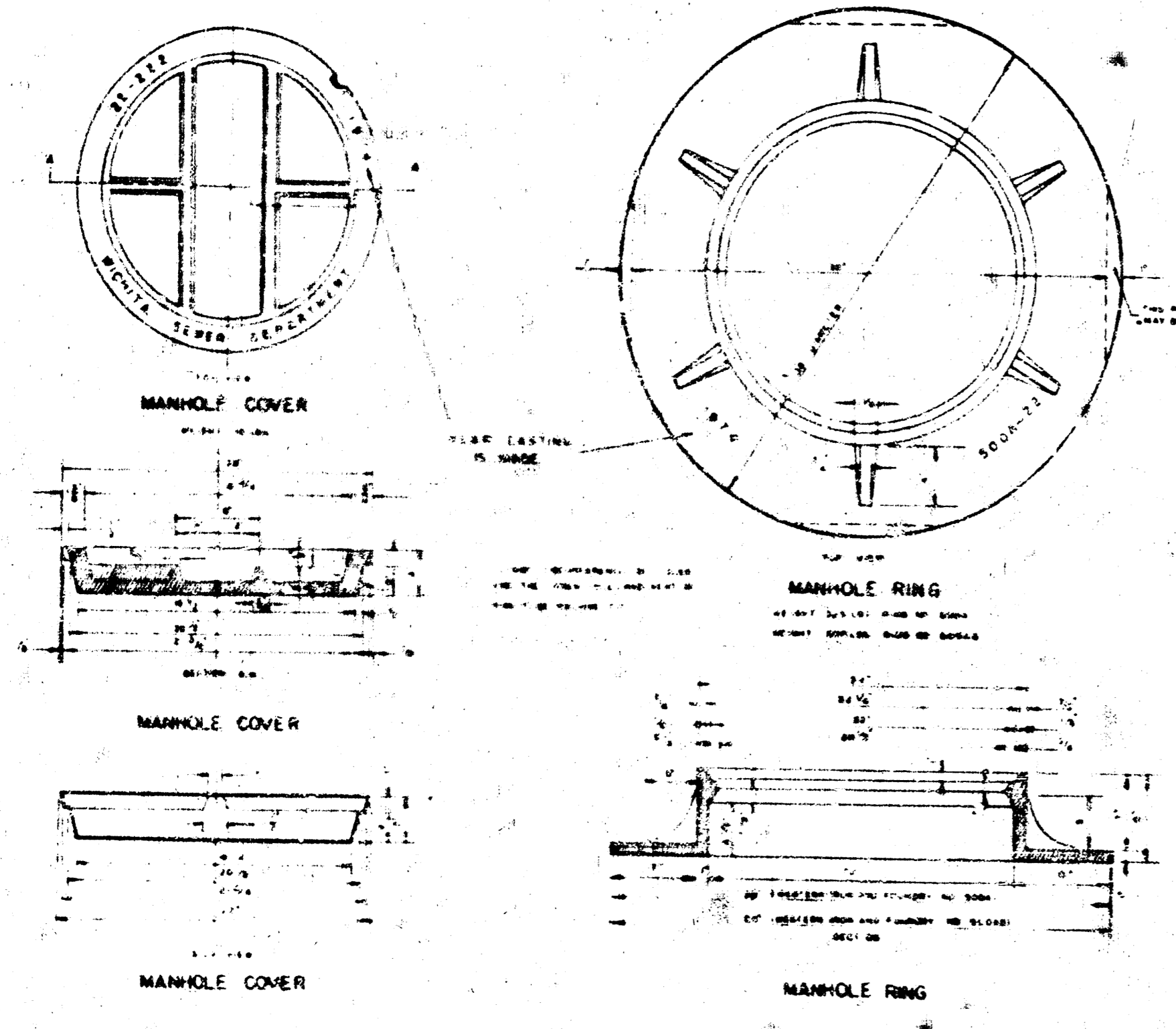
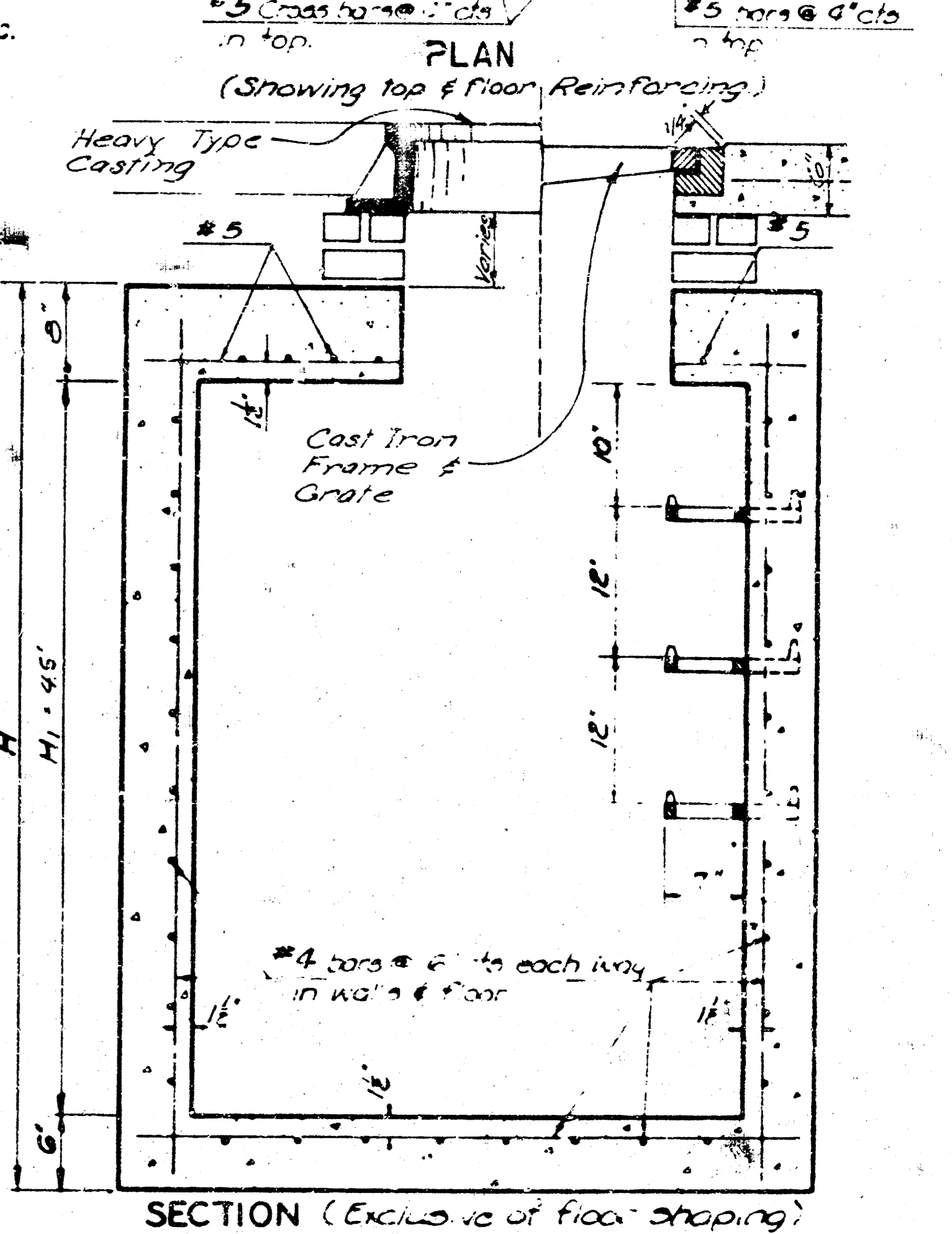
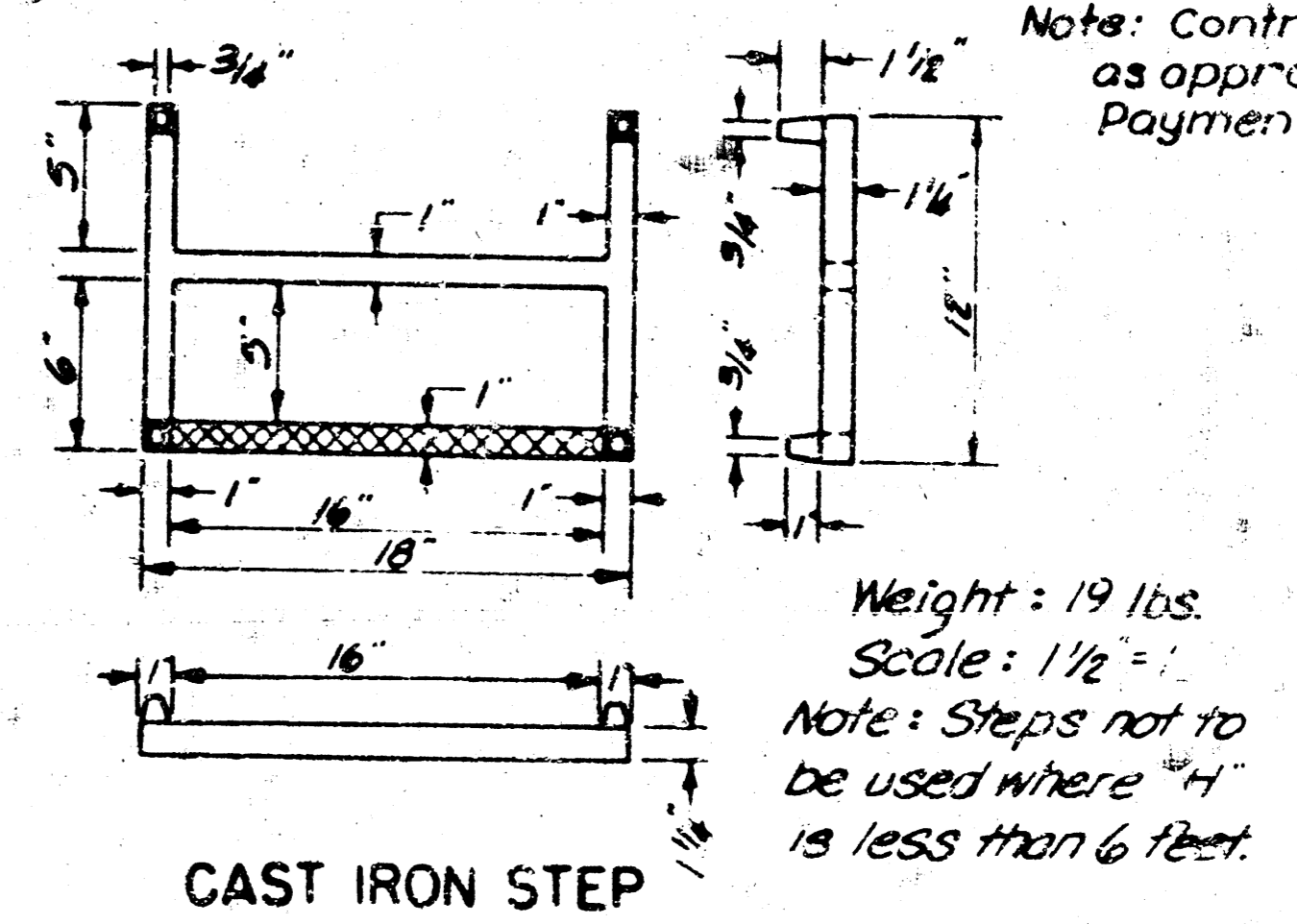
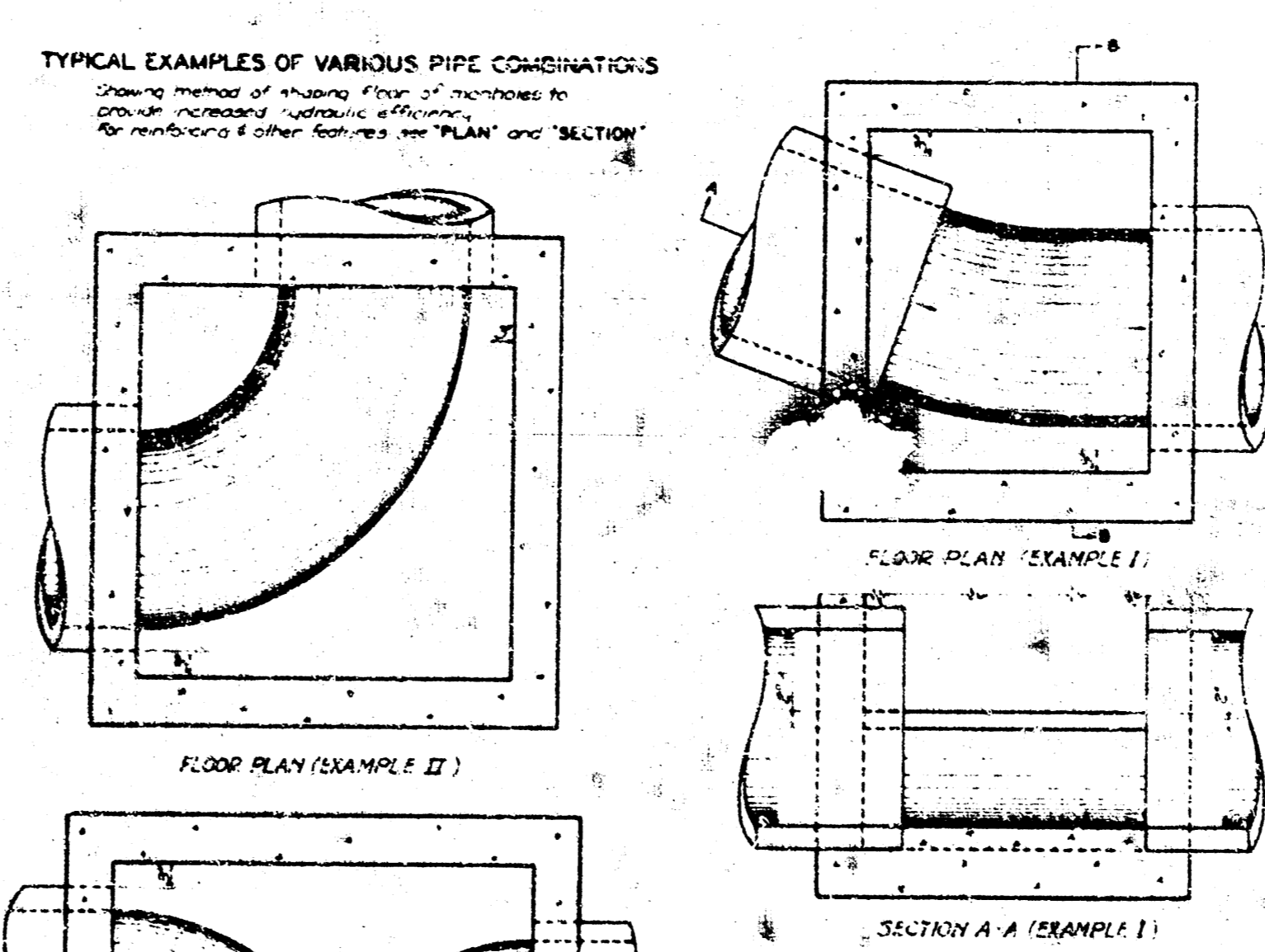
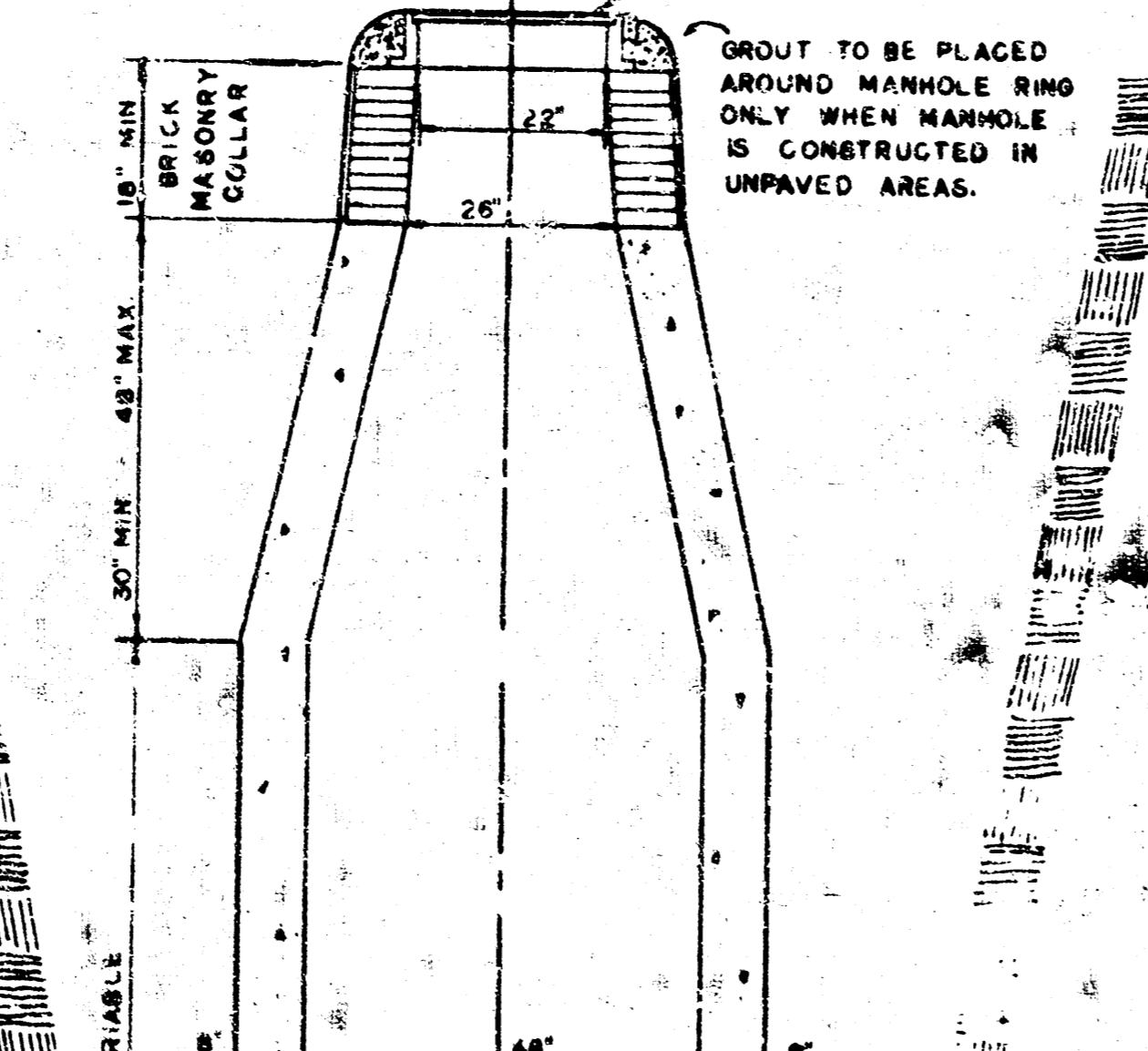


NOTE: Class 'A' concrete to be used throughout. Have all exposed edges with a 3" triangular moulding. At the contractor's option Class 'A' concrete (R) may be used throughout, but payment shall be made as Class 'A' concrete, misc. In general, pipes will enter and leave the manhole at various positions. Where possible bend bars around pipes. Floor of manhole to be shaped as shown in various "EXAMPLES" with unreinforced Class 'A' concrete. Manhole opening and steps, where used shall be placed to afford easy access to top of shaped invert. Top reinforcing bars to be adjusted accordingly. All castings shall be gray iron and shall comply with ASTM A-40, Class 20. All exposed cast iron surfaces (rings & covers) not subjected to traffic, shall be painted either in the shop or in the field with one coat of a zinc dust paint, followed by two field coats of aluminum paint. No deductions in concrete quantities shall be made for pipe openings. No additions in concrete quantities shall be made for shaping floor of manholes. When so ordered by the engineer, the top of the manhole shall be sloped slightly to approximately fit the ground or other conditions. Dimensions and weights of cast iron as shown on this sheet are minimum. Larger dimensions and/or heavier weights of cast iron may be used, but payment for cast iron shall be made on the weight as shown on this sheet.



STANDARD MANHOLE, TYPE "C" RING AND LID AS SPEC'ED



16	12-14-74	Light Type M.H. Cover & Ring	W.L.M. K.G.L.
15	16-13-73	Changed M.H. Step & added opt crown of heavy M.H. Cover	W.L.M. K.G.L.
14	2-8-73	Variation in Cast Iron	W.L.M. K.G.L.
NO.	DATE	REVISIONS	BY

STATE HIGHWAY COMMISSION OF KANSAS

REINFORCED CONCRETE MANHOLE

STD. NO. 633

DESIGNED BY A.C. DATE 12-1-68

CHECKED BY A.C. DATE 4-5-69

GENERAL NOTES

MORTAR USED IN MASONRY CONSTRUCTION SHALL CONTAIN 8 SACKS OF CEMENT PER CUBIC YARD.

STANDARD MANHOLES TYPE "C" AND STANDARD DROP MANHOLES TYPE "C" SHALL BE BID AS STANDARD MANHOLES FOR THE TYPE AND DIAMETER INDICATED.

OUTSIDE DROP MANHOLES TYPE "C" SHALL BE BID AS STANDARD OUTSIDE DROP MANHOLES FOR THE TYPE AND DIAMETER INDICATED. ALL MANHOLE DIAMETERS WILL BE 4 FT UNLESS INDICATED OTHERWISE. MANHOLES WITH PIPE SIZES LARGER THAN 24" SHALL BE 5 FT DIAMETER.

THE FLOORS OF ALL MANHOLES SHALL BE SHAPED TO INCREASE HYDRAULIC EFFICIENCY USING 8 SACK SAND MIX CONCRETE.

CAST IN PLACE CIRCULAR CONCRETE MANHOLES ARE TO BE CONSTRUCTED ONLY ON SEWERS NOT SUBJECT TO

NOTE: OPENING FOR INLET PIPE CUT IN MANHOLE WALL AND PIPE GROUTED IN PLACE WITH NON-SHRINKING GROUT. EXTERIOR OF COMPLETED CONNECTION TO BE SEALED WITH APPROVED COATING.

PIPE TRIMMED TO 1/4" BELOW PIPE CENTER LINE TO FORM FLOW CHANNEL