

PAVEMENT UNDERDRAIN AT SUMPS

NOTE:
Place 4" PVC Perforated Pipe at all drainage sump locations.

Cost of Underdrain System at sumps to be incidental to the Reinforced Crushed Rock Subgrade.

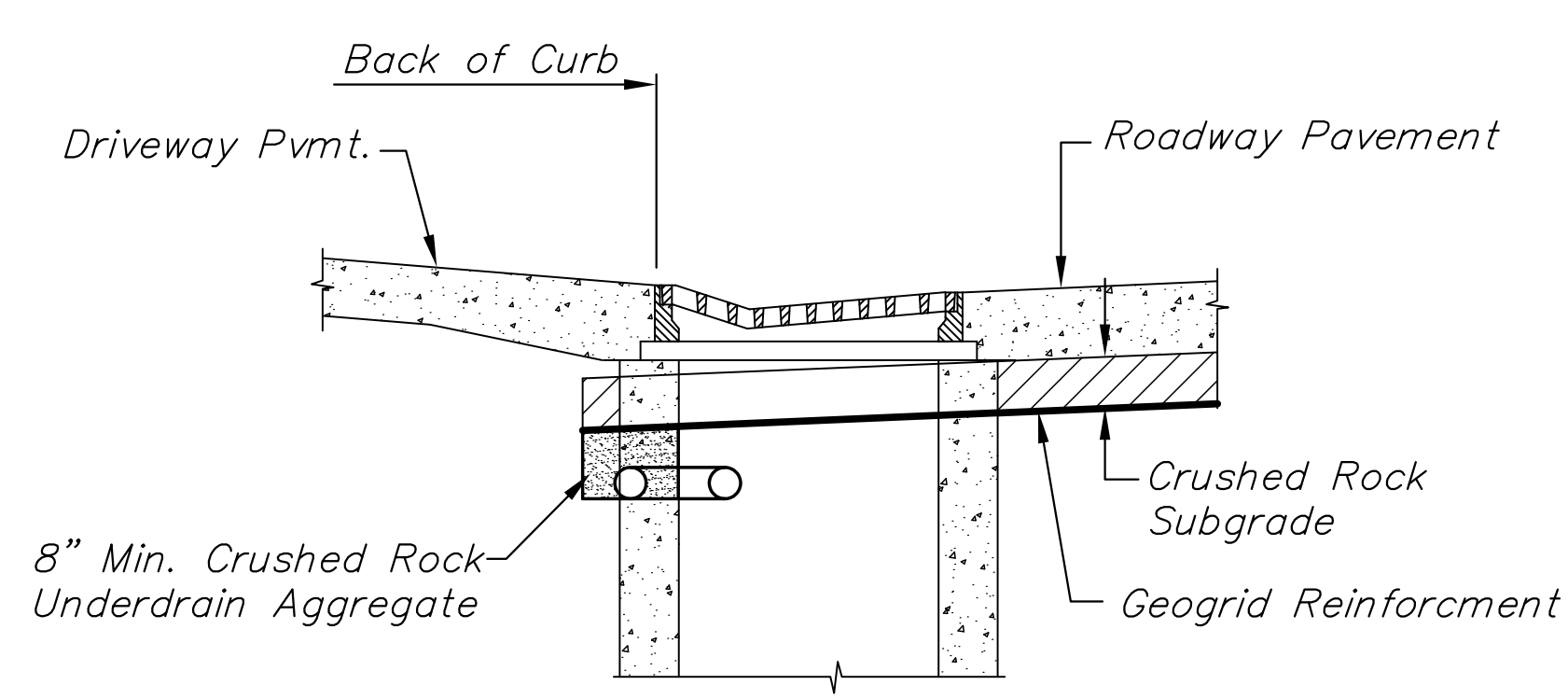
Refer to "Pipe Connection Detail" for connections to structures.

CRUSHED ROCK UNDERDRAIN AGGREGATE GRADATION REQUIREMENTS

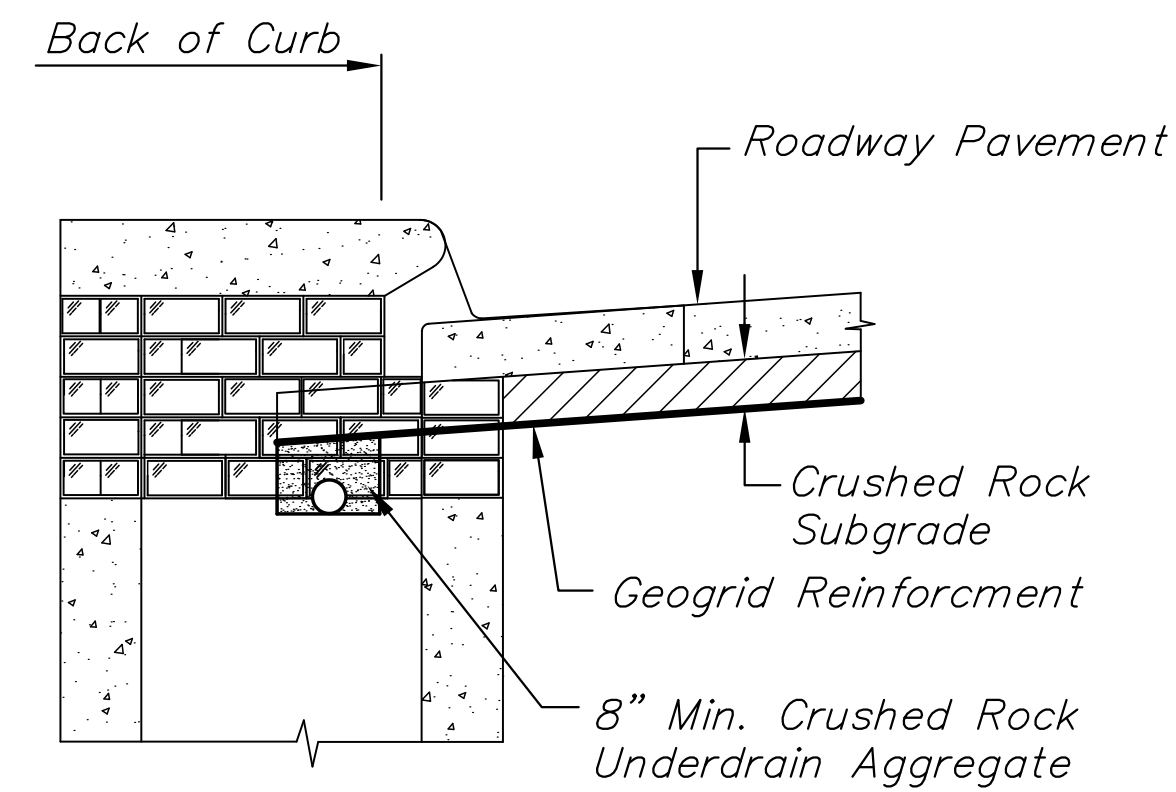
Percent of Aggregate Retained

| | |
|--------------|-------|
| 1 1/2" | 0 |
| 3/4" | 15-60 |
| # 4 | 40-80 |
| #40 | 74-92 |
| P-200 | 4-12 |

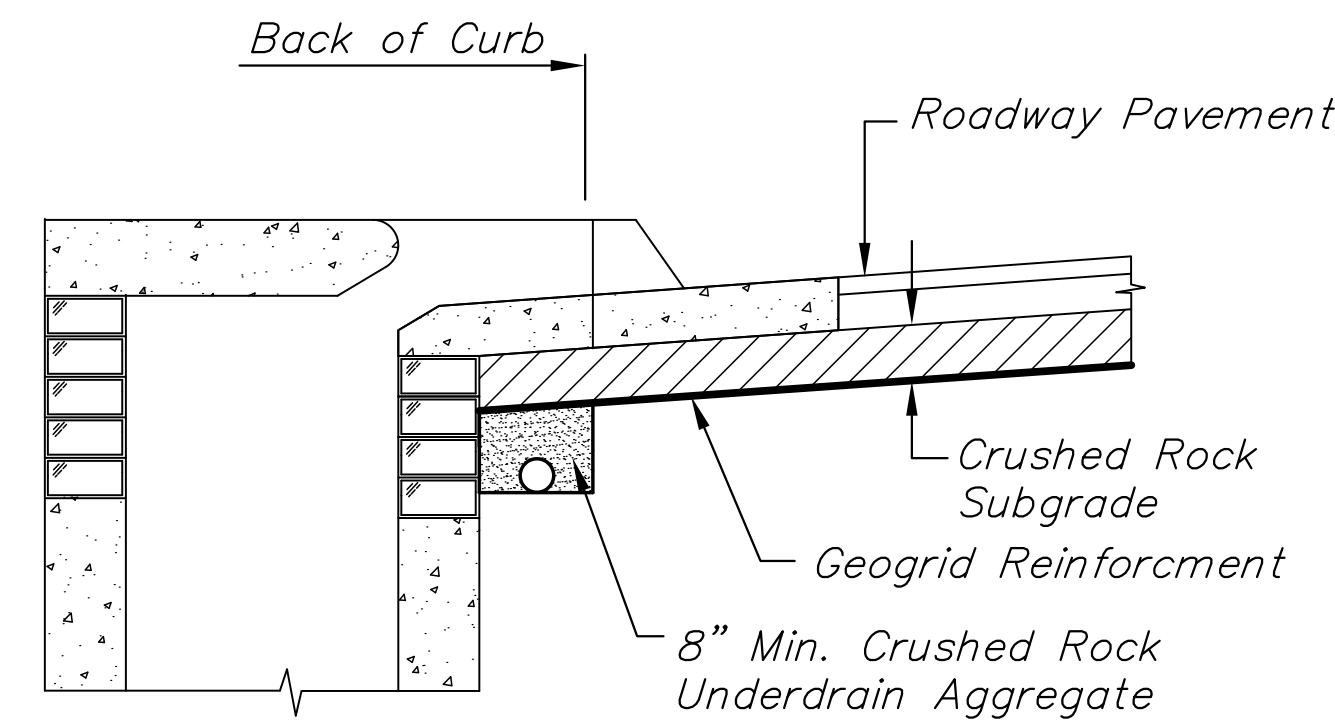
Rock quality shall be the same as specified for coarse aggregate for asphalt concrete mixes.



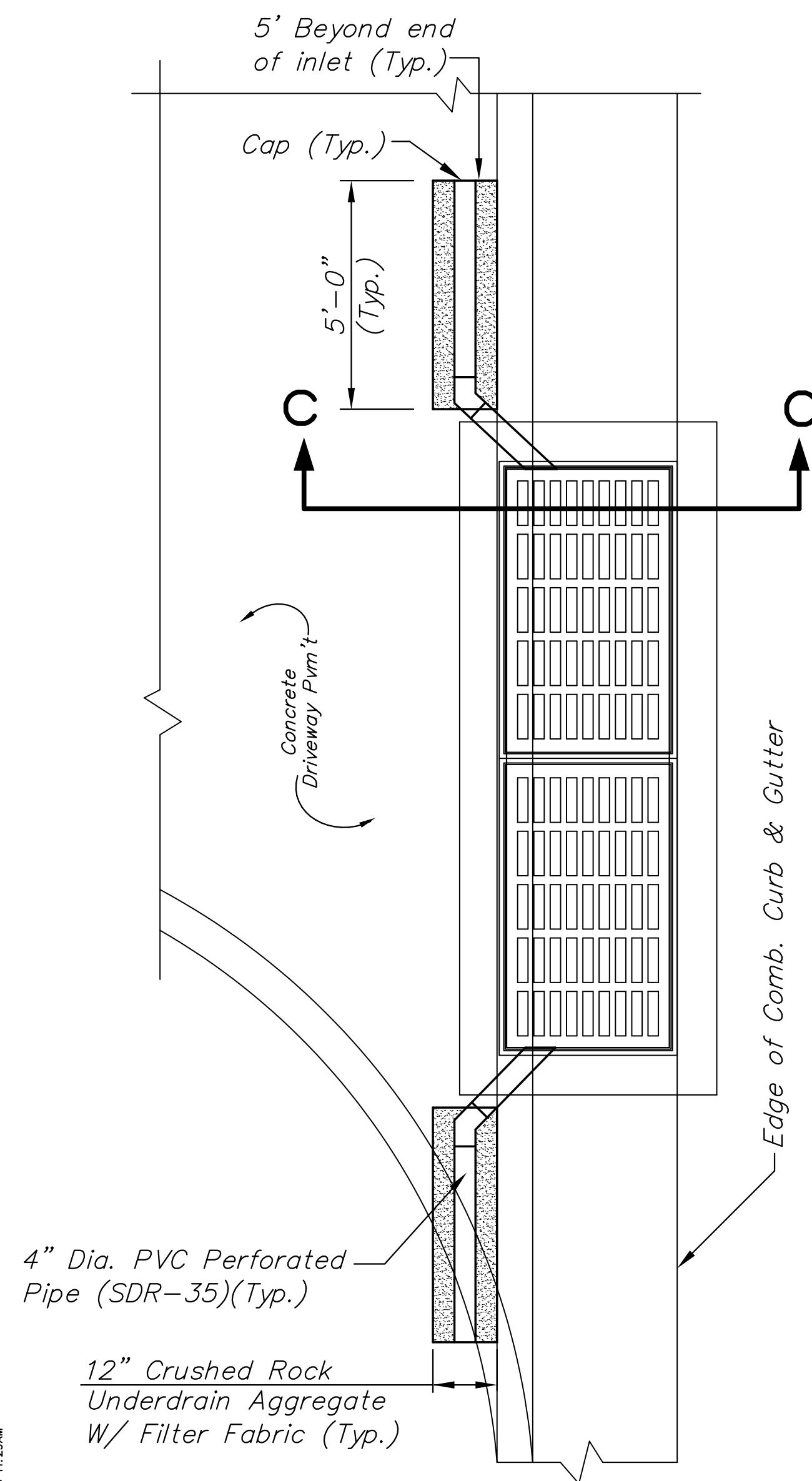
SECTION C-C



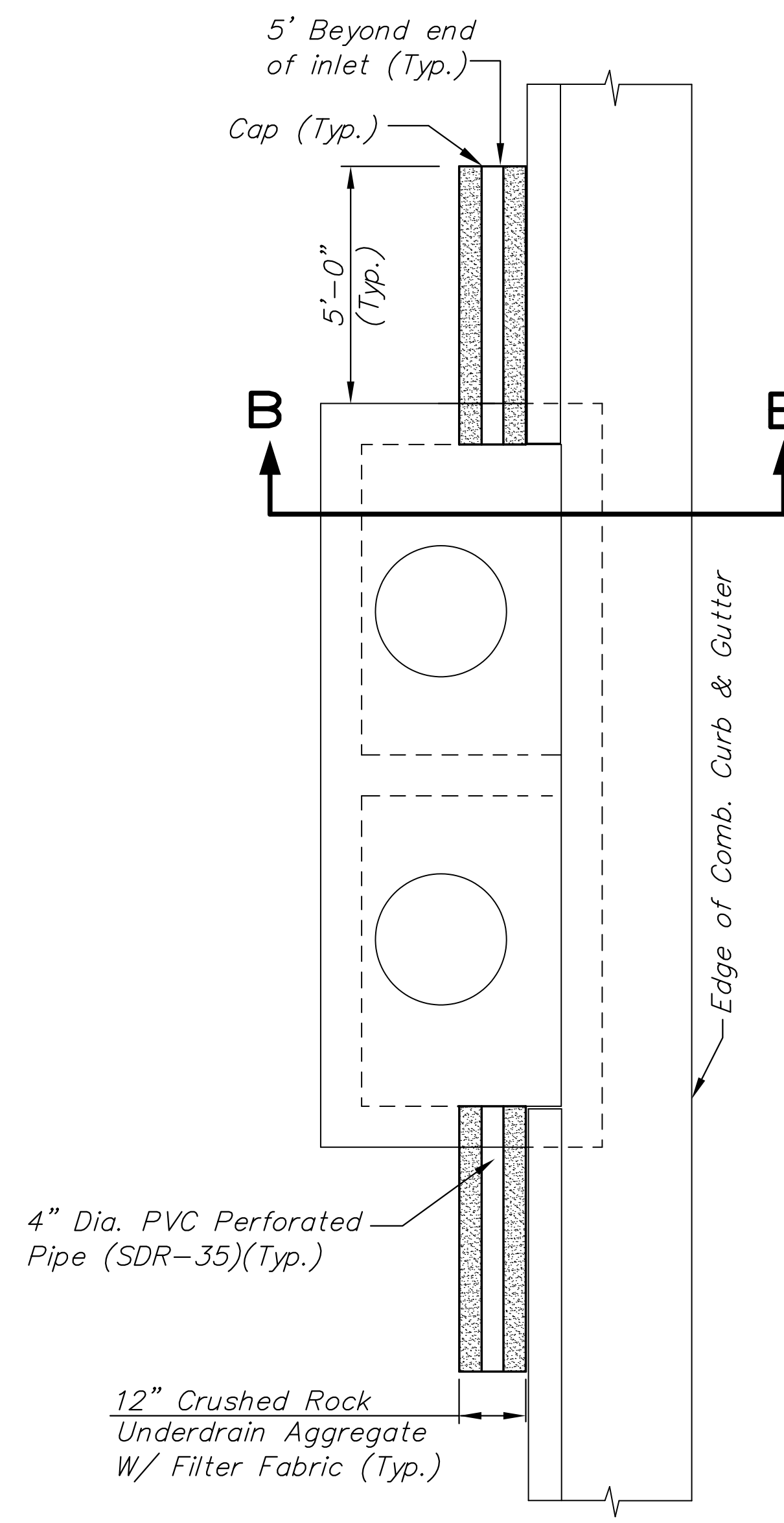
SECTION B-B



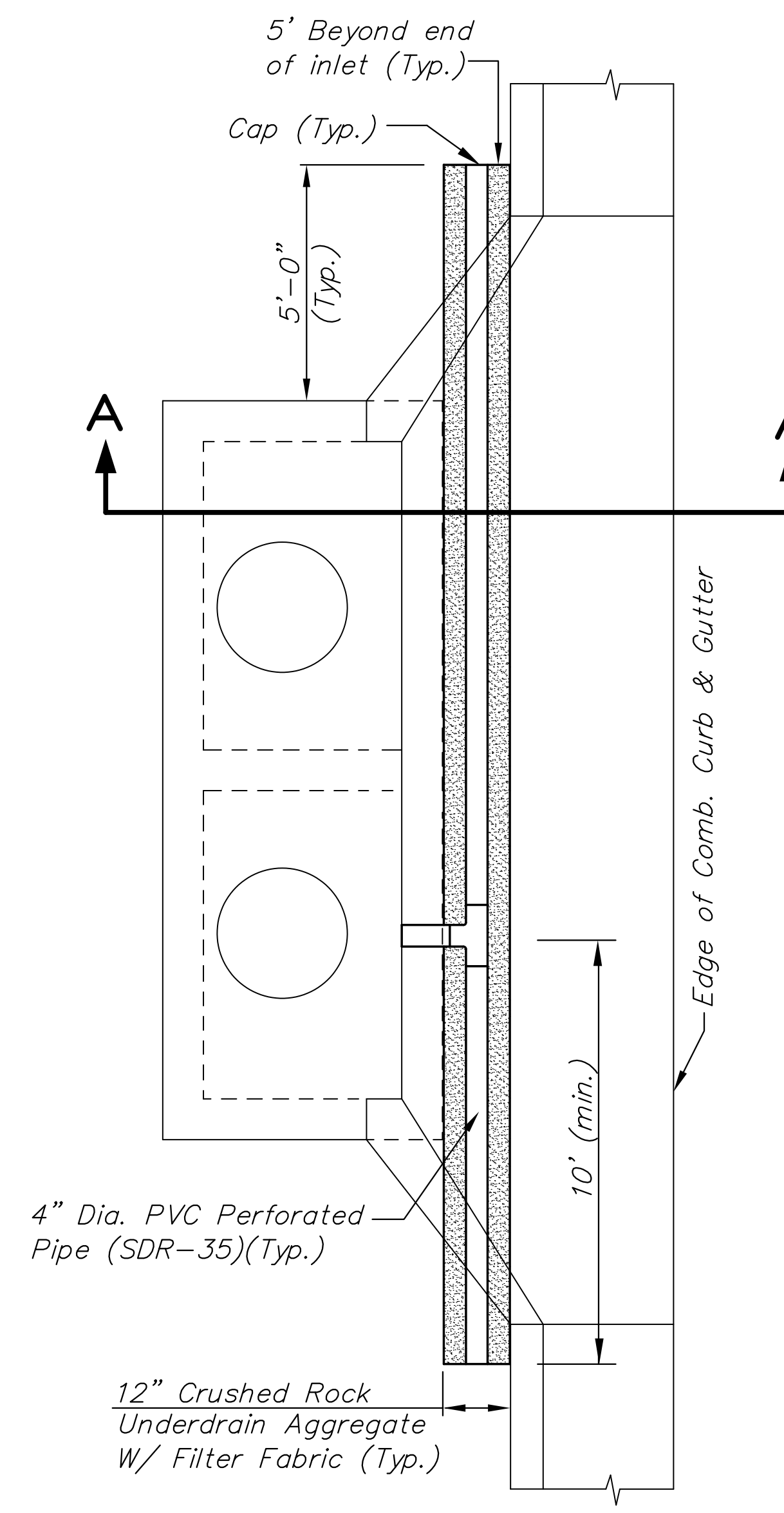
SECTION A-A



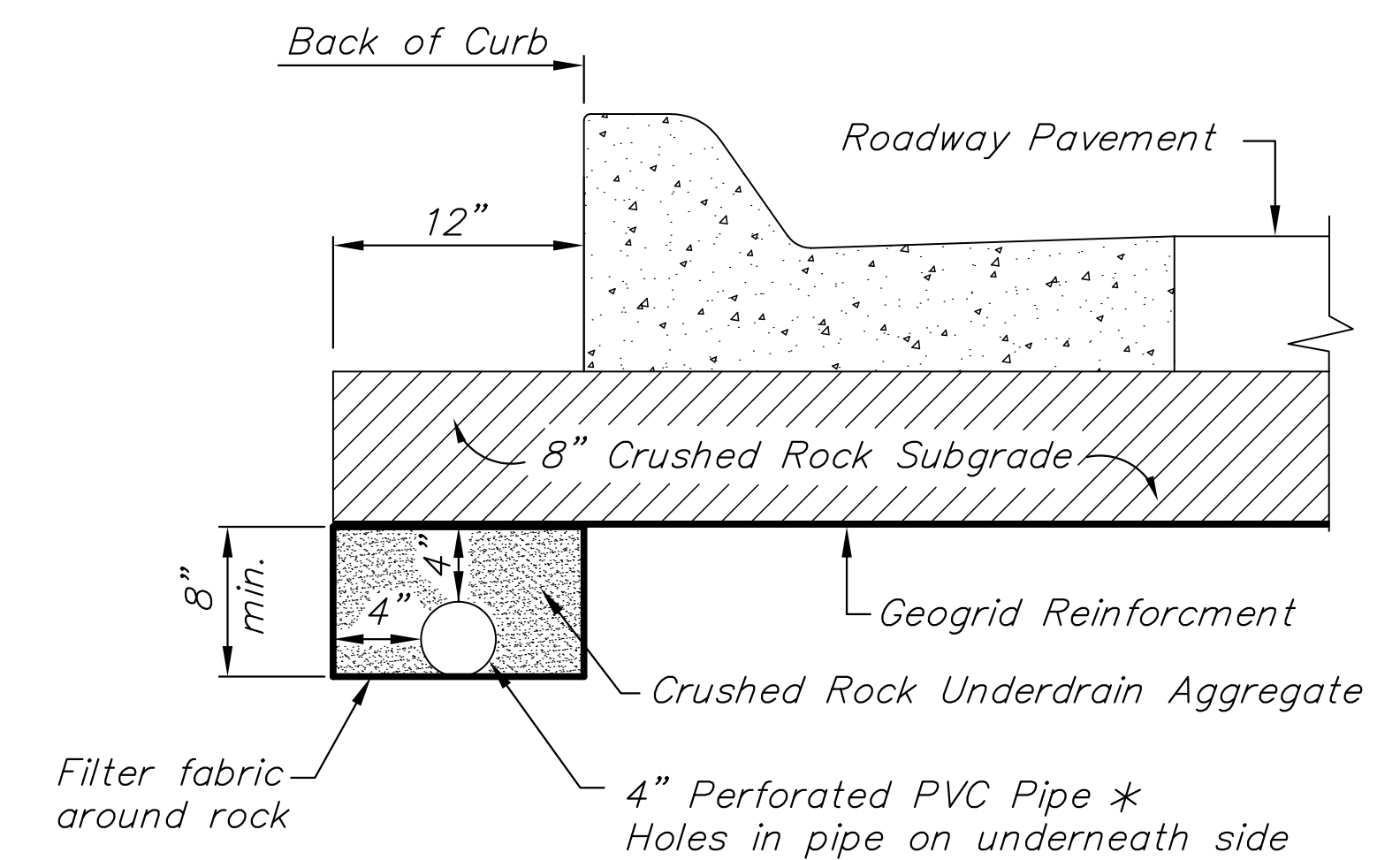
DRIVEWAY GRATE INLET
TYPE 2 INLET SIMILAR



TYPE 1 INLET



TYPE 1-A INLET



* Minimum 16 perforations per lineal feet @ 1/4" Dia. Perforations to be on bottom half of pipe.

PIPE DRAIN DETAIL

**37TH STREET IMPROVEMENTS
FROM
MAIZE ROAD TO TYLER ROAD**

PAVEMENT UNDERDRAIN DETAILS

SHEET TITLE
472-84693
PROJECT NUMBER

DESIGN BY
DRAWN BY
CHECKED BY

ISSUED
March 24, 2009
REVISED

SHEET NO.
60 of 133