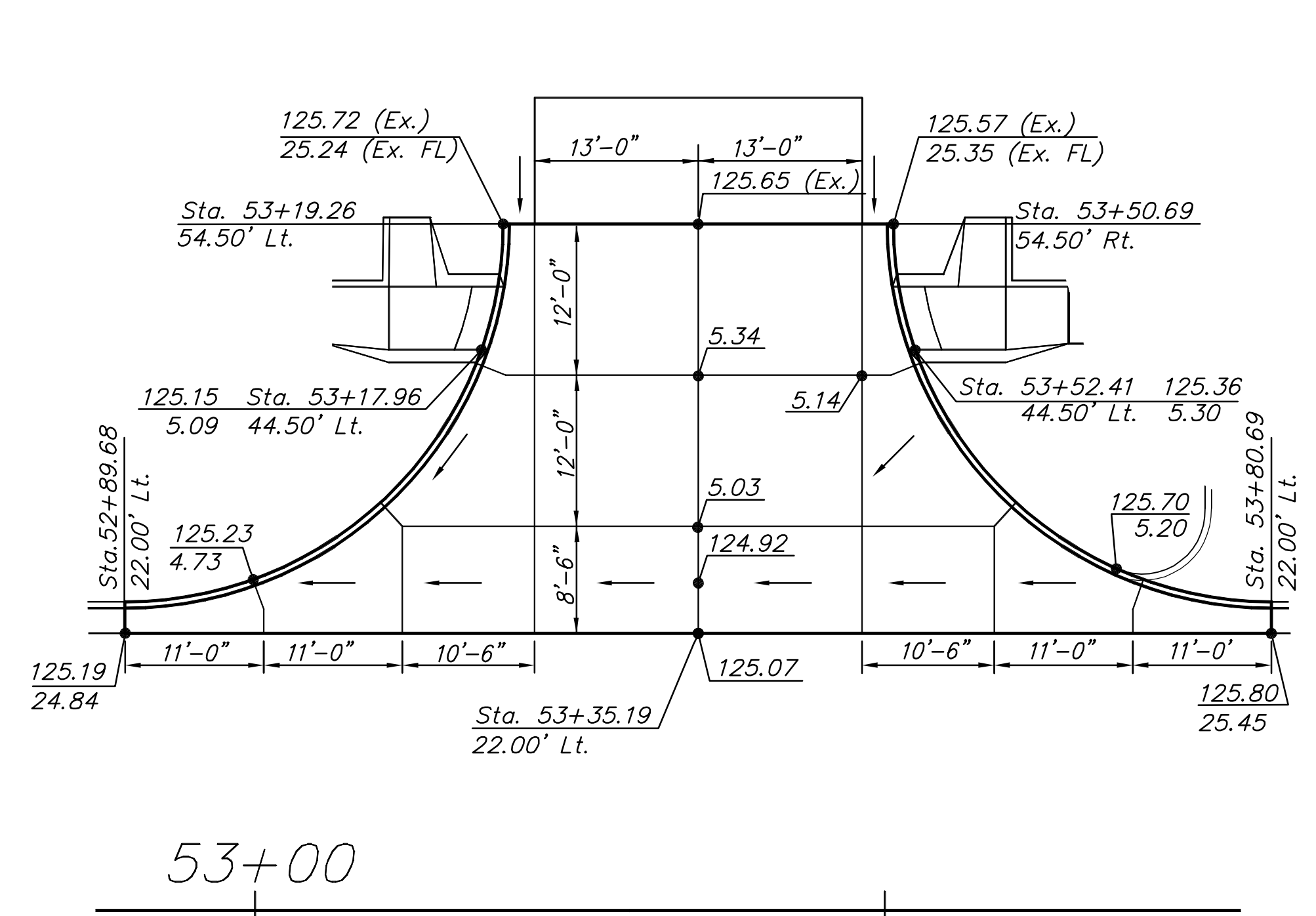
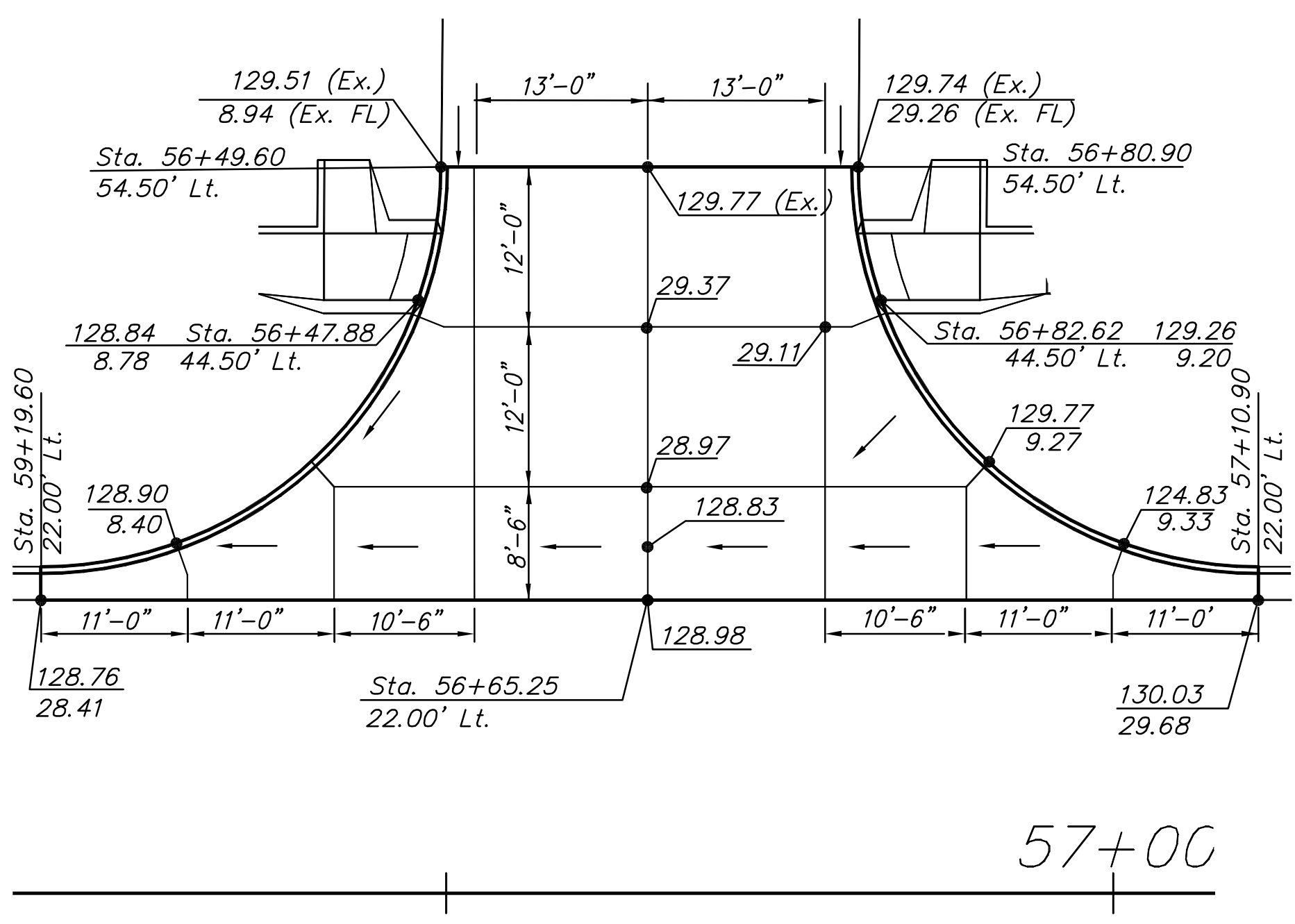


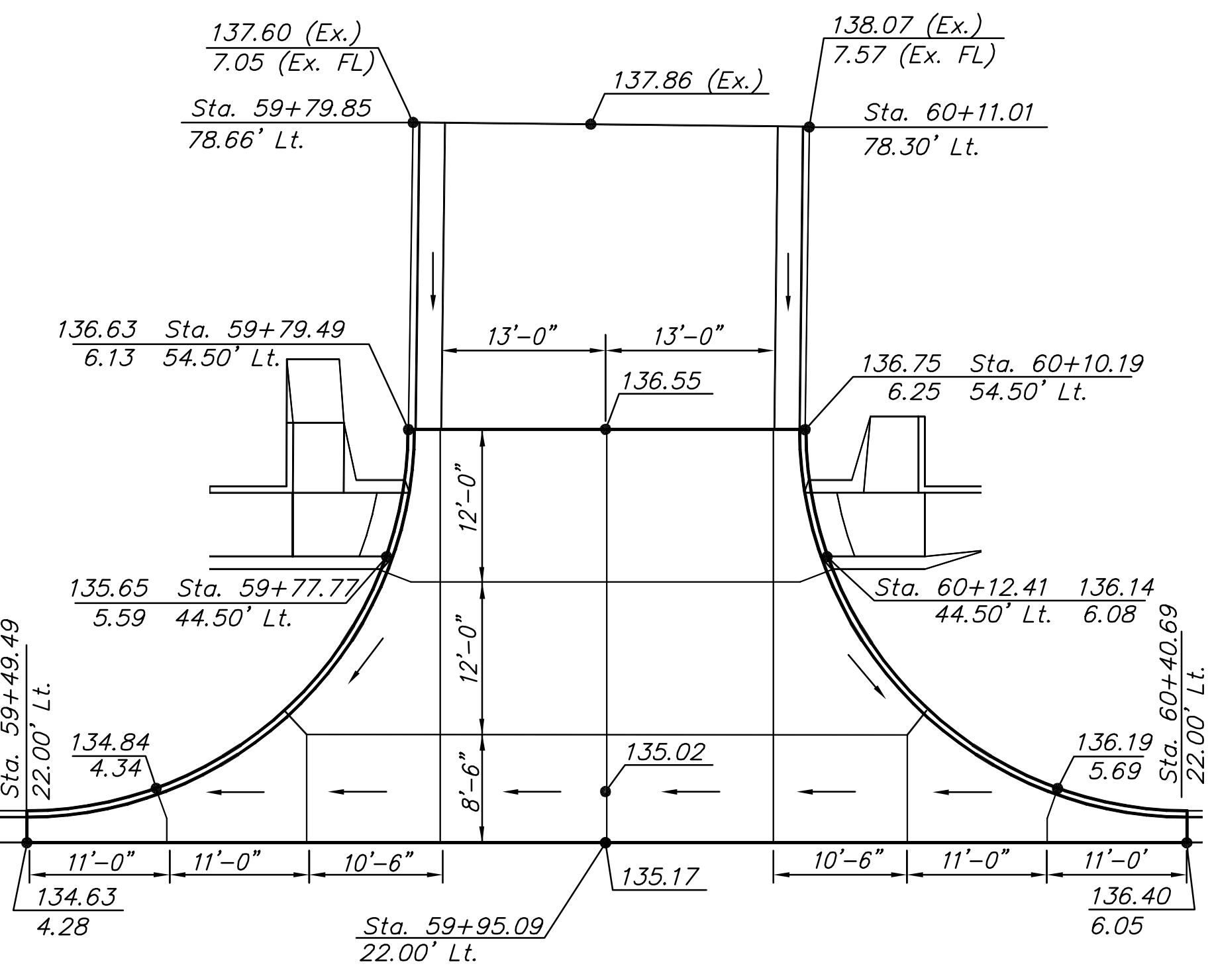
**17th STREET
FROM GROVE TO HILLSIDE**



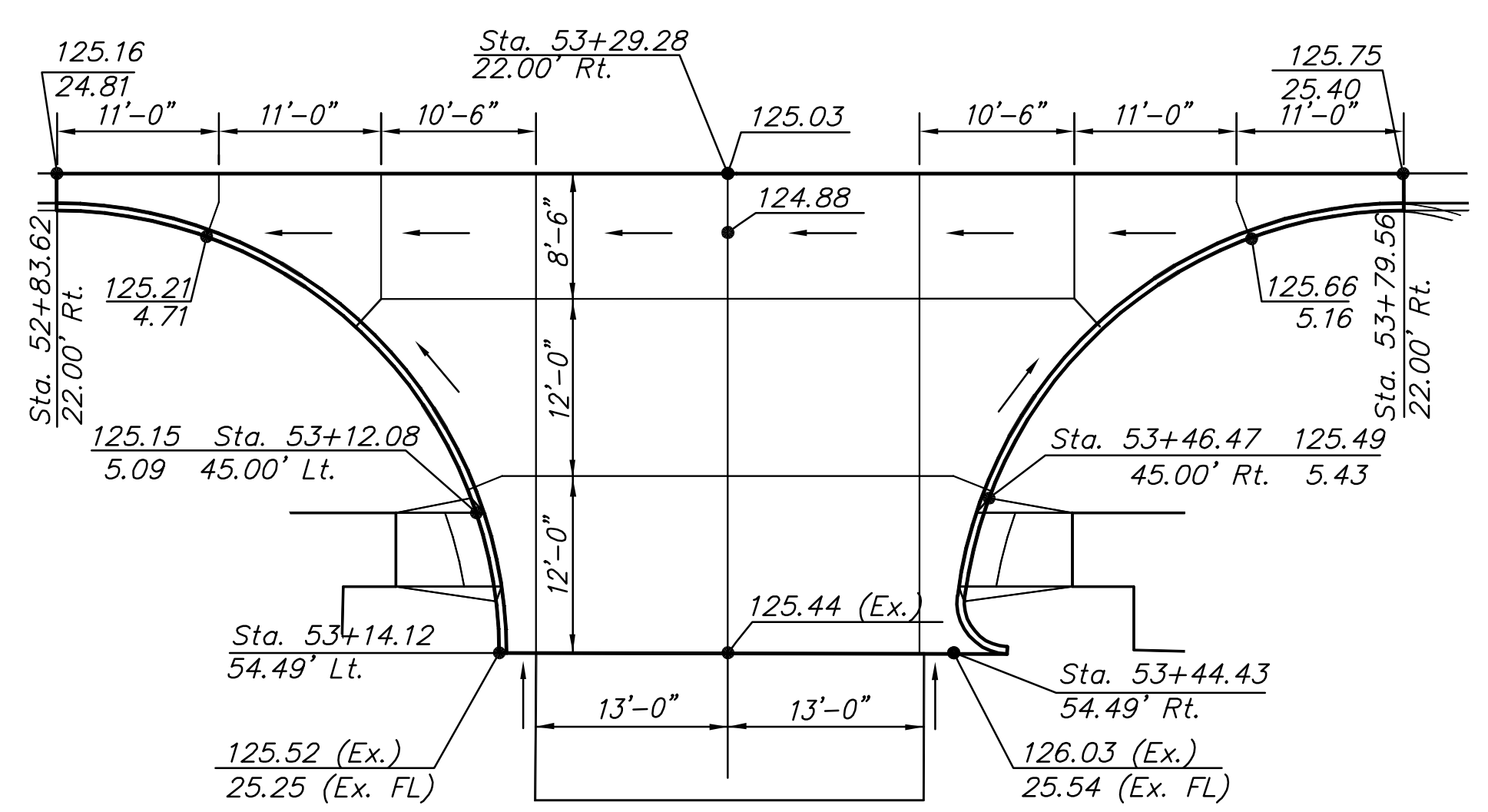
17TH STREET



17TH STREET

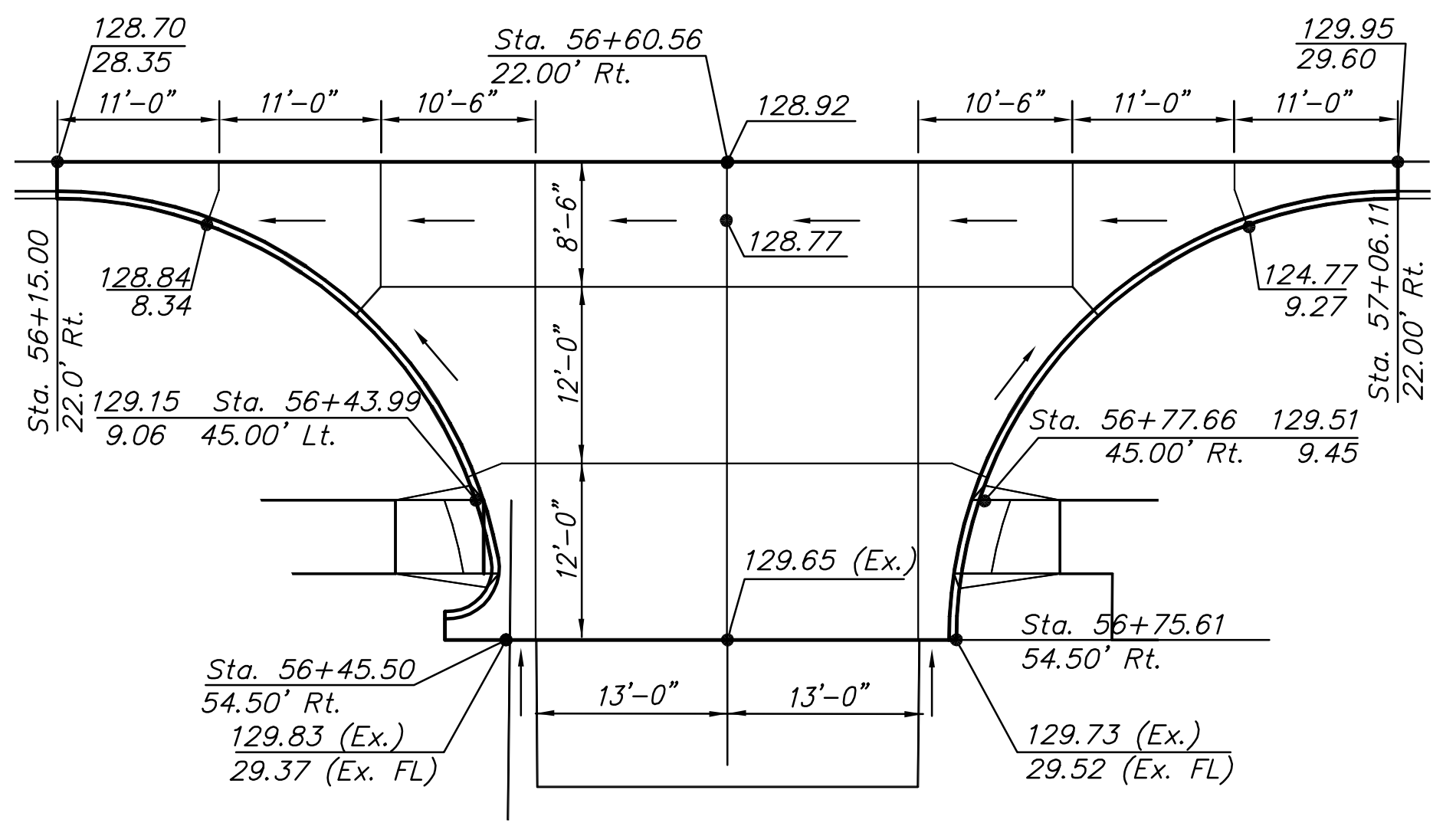


17TH STREET



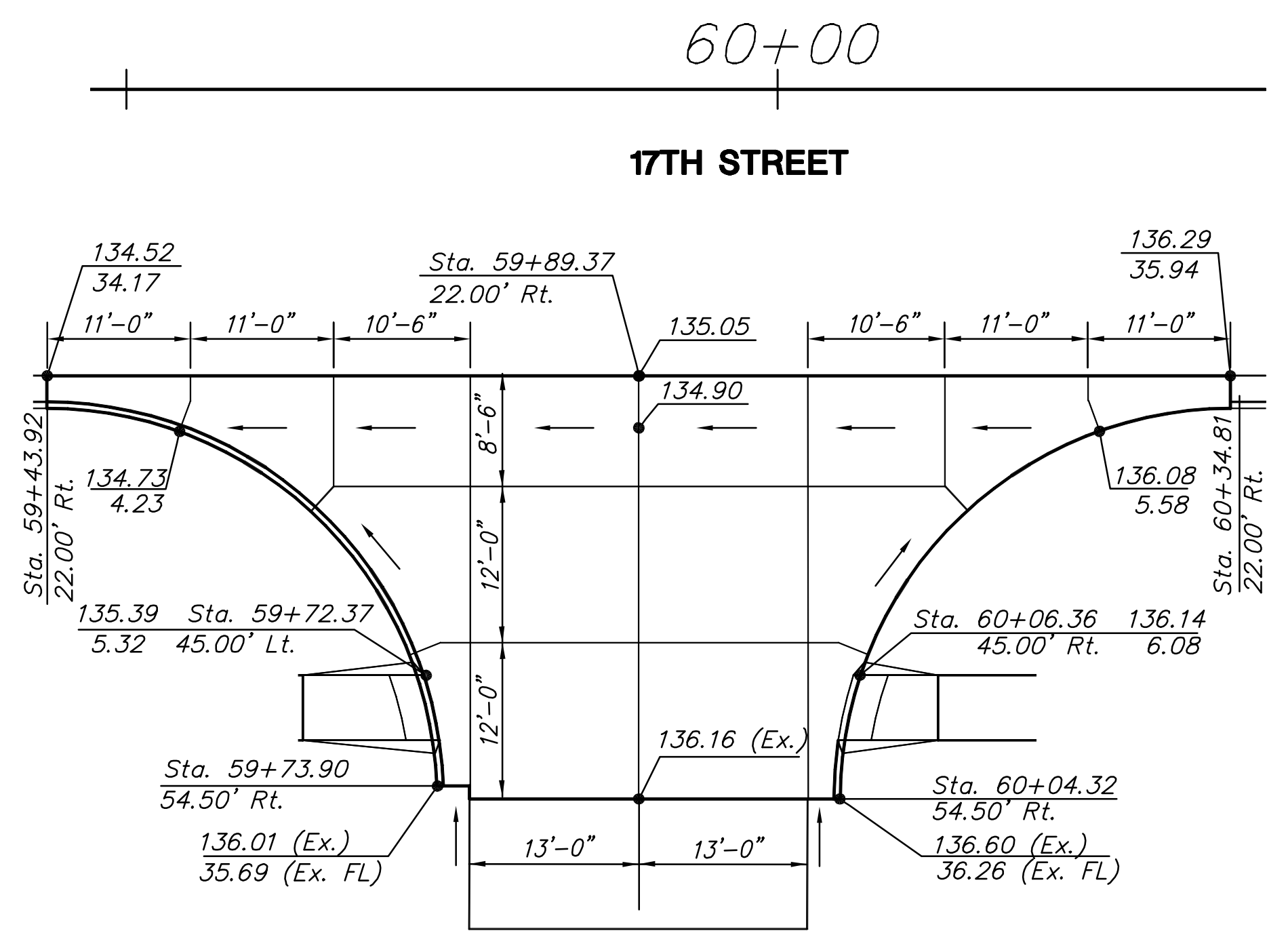
POPLAR, LT. & RT.

Scale: 1"=10'



GREEN, LT. & RT.

Scale: 1"=10'



ESTELLE, LT. & RT.

Scale: 1"=10'

- LEGEND**
- Valley Gutter Flow Location
 - 100.00 Back of Curb Elevation
 - 00.00 Flow Line Elevation
 - 100.00 Back of Curb Elevation
 - 00.00 High Edge of Curb Elevation

See Sheet 39 for Valley Gutter Details. See Sheet 3 for Side Road Typical Sections.

PLOT: Thursday, May 28, 2009 @ 10:34AM

J:\CIVIL\04179\DWG\PAV\04179-INT3.DWG

VALLEY GUTTER DETAILS

SHEET TITLE
87 N-0349-01
PROJECT NUMBER

JRA
DESIGN BY
JSB
DRAWN BY
JRA
CHECKED BY

ISSUED
May 28, 2009
REVISED

SHEET NO.
36 of 133