

STATE	PROJECT NO.	YEAR	SHEET NO.	SHEETS
KANSAS	87 N-0349-01	2009	52	133

MKEC
ENGINEERING
CONSULTANTS, INC.
411 N. WEBB ROAD
WICHITA, K.S. 67206
316-684-9600

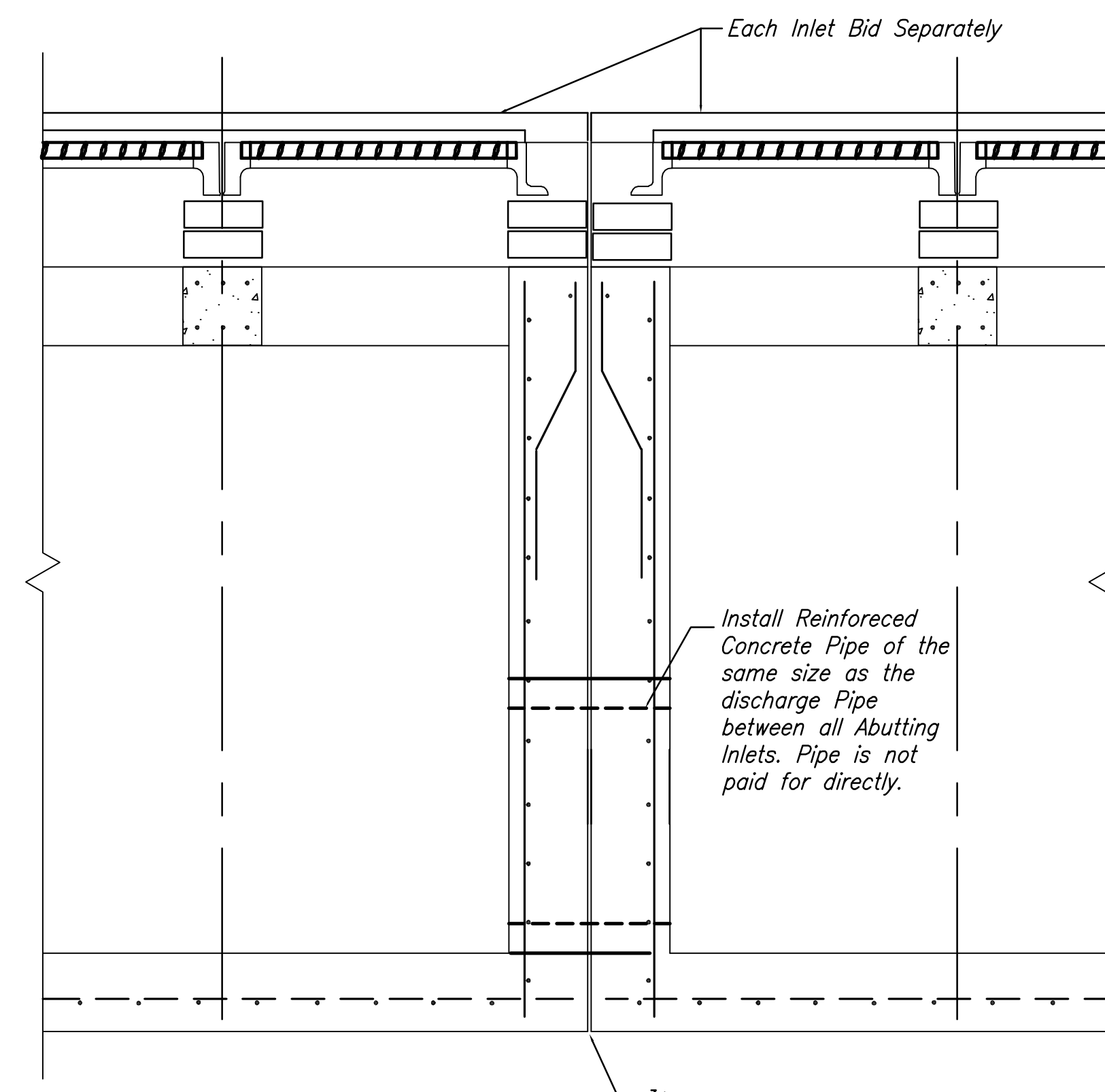
**17th STREET
FROM GROVE TO HILLSIDE**

**MISCELLANEOUS
STORM SEWER
DETAILS**
SHEET TITLE
87 N-0349-01
PROJECT NUMBER

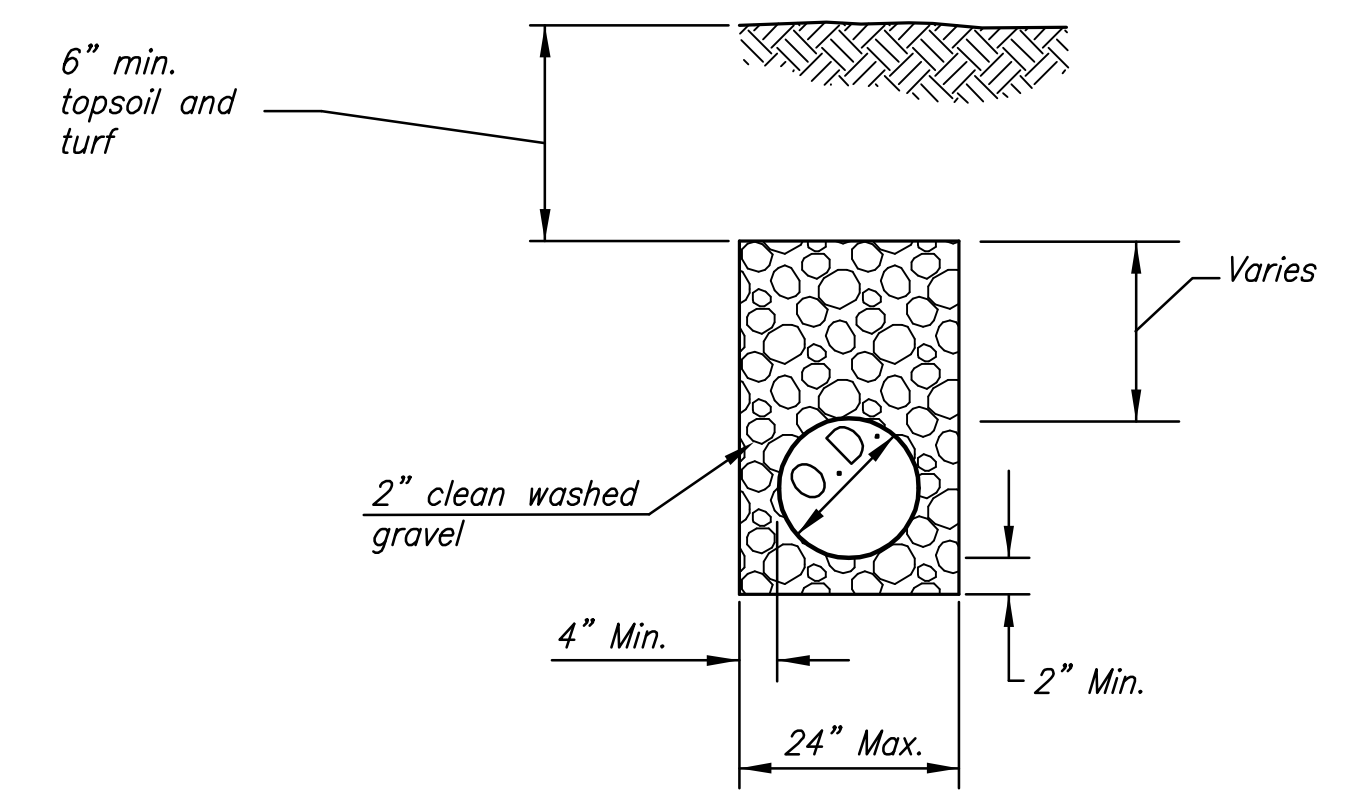
DESIGN BY JRA
DRAWN BY JSB
CHECKED BY JRA

ISSUED May 28, 2009
REVISED

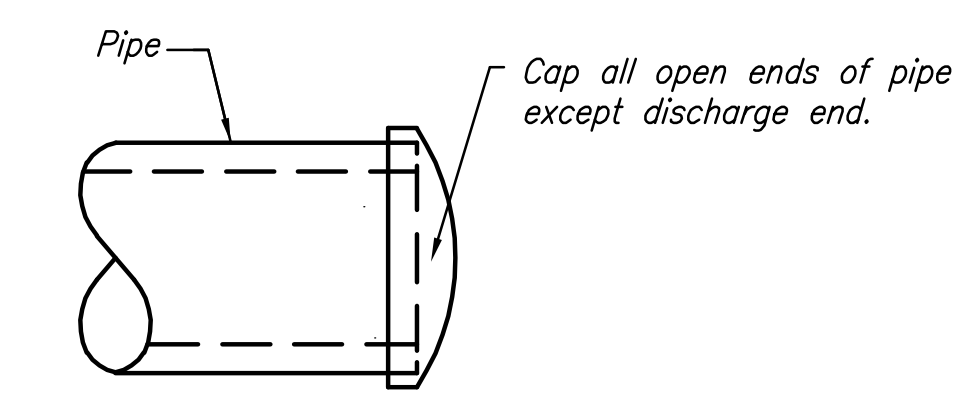
SHEET NO.
52 of 133



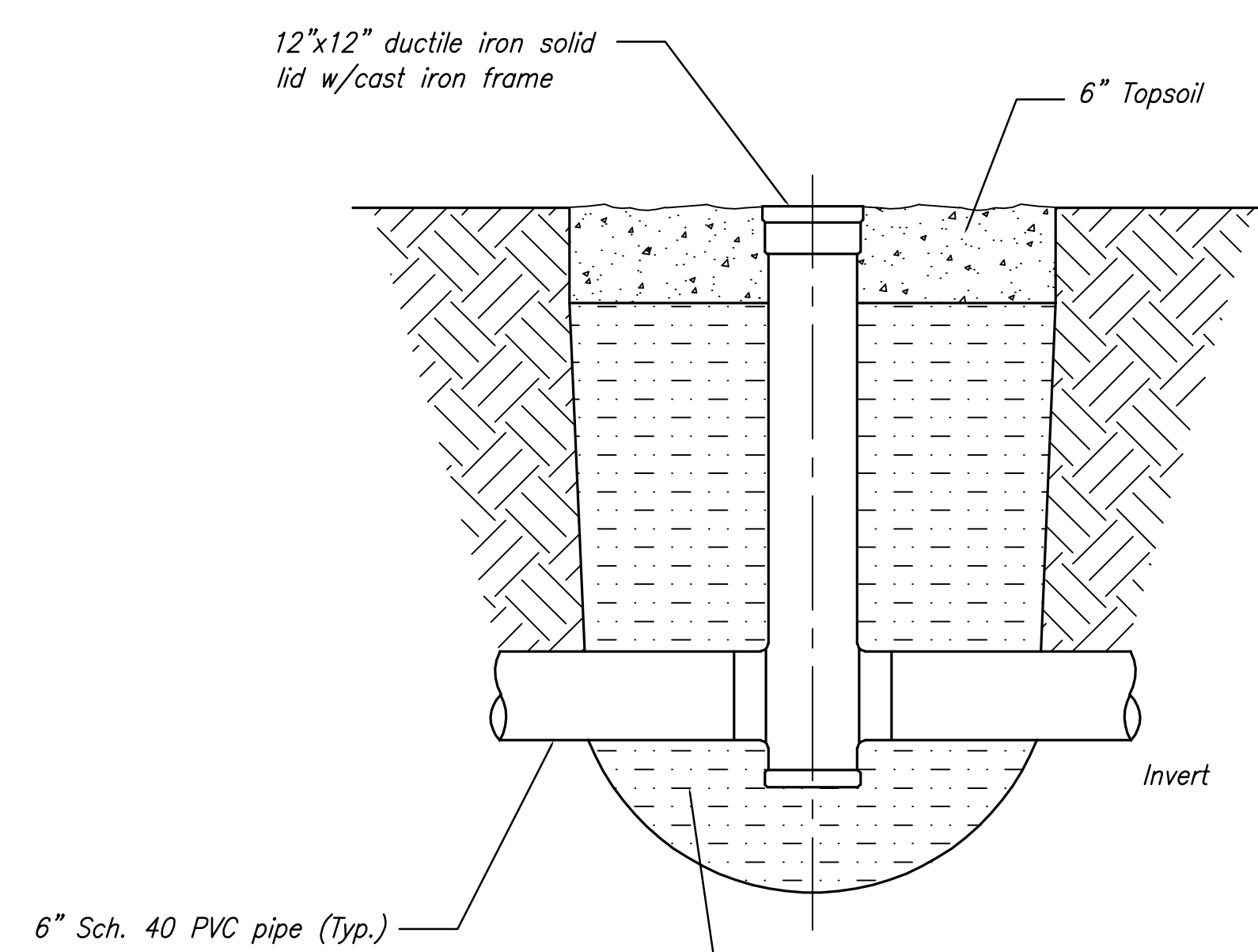
ABUTTING INLET CONNECTION DETAIL



STORM DRAIN PIPE DETAIL REFERENCE



PIPE CAPPING DETAIL



NYLOPLAST DRAIN BASIN DETAILS

Note: Storm drain information on this sheet pertains to PVC drainage systems only. See sht. 51 for pavement underdrain information.

PLOTTED: Thursday, May 28, 2009 @ 10:43AM

J:\CIVIL\04179\CWG\DETAILS\04179_MISC_SWS_DETAILS.DWG