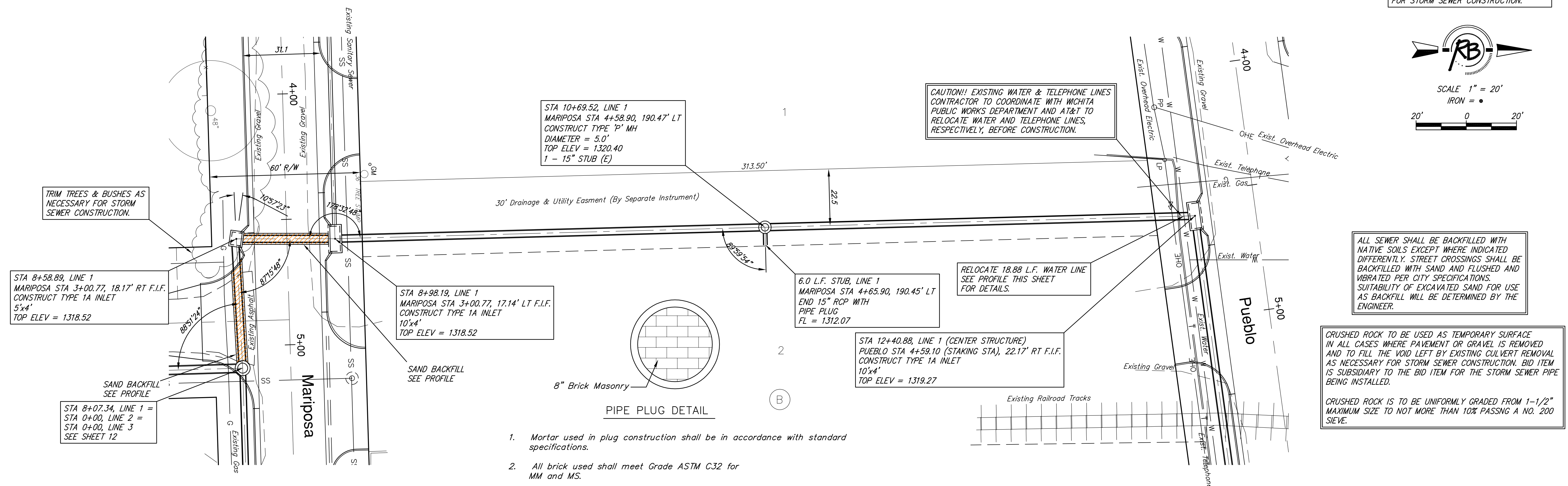
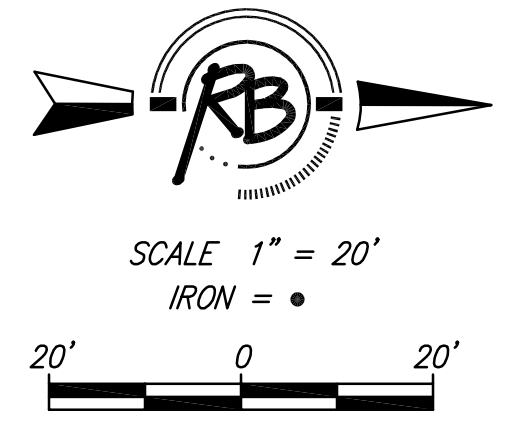


NOTE: STA 8+07 TO 8+45, REMOVE AND REPLACE AC PAVEMENT AS NECESSARY FOR STORM SEWER CONSTRUCTION.



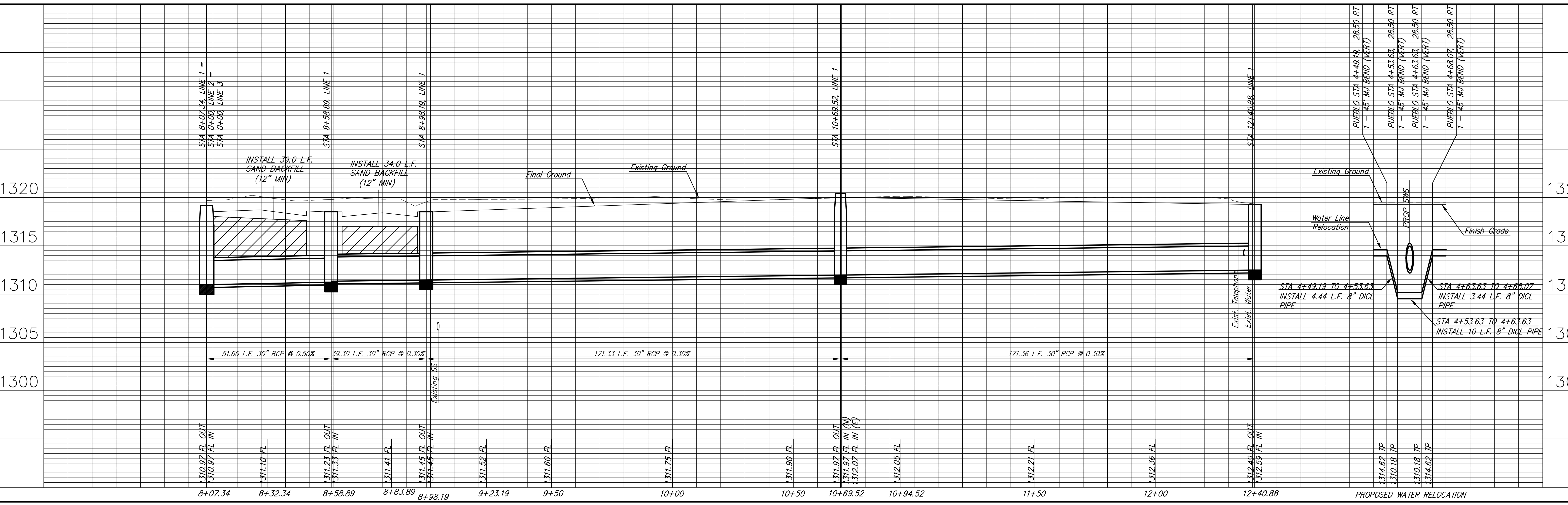
1. Mortar used in plug construction shall be in accordance with standard specifications.
2. All brick used shall meet Grade ASTM C32 for MM and MS.

ALL SEWER SHALL BE BACKFILLED WITH NATIVE SOILS EXCEPT WHERE INDICATED DIFFERENTLY. STREET CROSSINGS SHALL BE BACKFILLED WITH SAND AND FLUSHED AND VIBRATED PER CITY SPECIFICATIONS. SUITABILITY OF EXCAVATED SAND FOR USE AS BACKFILL WILL BE DETERMINED BY THE ENGINEER.

CRUSHED ROCK TO BE USED AS TEMPORARY SURFACE IN ALL CASES WHERE PAVEMENT OR GRAVEL IS REMOVED AND TO FILL THE VOID LEFT BY EXISTING CULVERT REMOVAL AS NECESSARY FOR STORM SEWER CONSTRUCTION. BID ITEM IS SUBSIDIARY TO THE BID ITEM FOR THE STORM SEWER PIPE BEING INSTALLED.

CRUSHED ROCK IS TO BE UNIFORMLY GRADED FROM 1-1/2" MAXIMUM SIZE TO NOT MORE THAN 10% PASSING A NO. 200 SIEVE.

Ruggles & Bohm, P.A.
Engineering, Surveying, Land Planning
1800 S. Main St., Suite 200
Wichita, KS 67202
Phone: 316.261.4000
Fax: 316.261.4001
E-mail: info@ruggles.com



PROJECT NUMBER: 482-84648
DRAWING FILE: Engineering Base
DESIGN: KWL
DRAWN: RLS
REVIEW: RLS
DATE: Sept 24, 2008

Pueblo, Mariposa & Sierra
SWD Line 1 & WL Relocation
WICHITA KANSAS

RB JOB: 32481
SHEET: 13
OF: 33