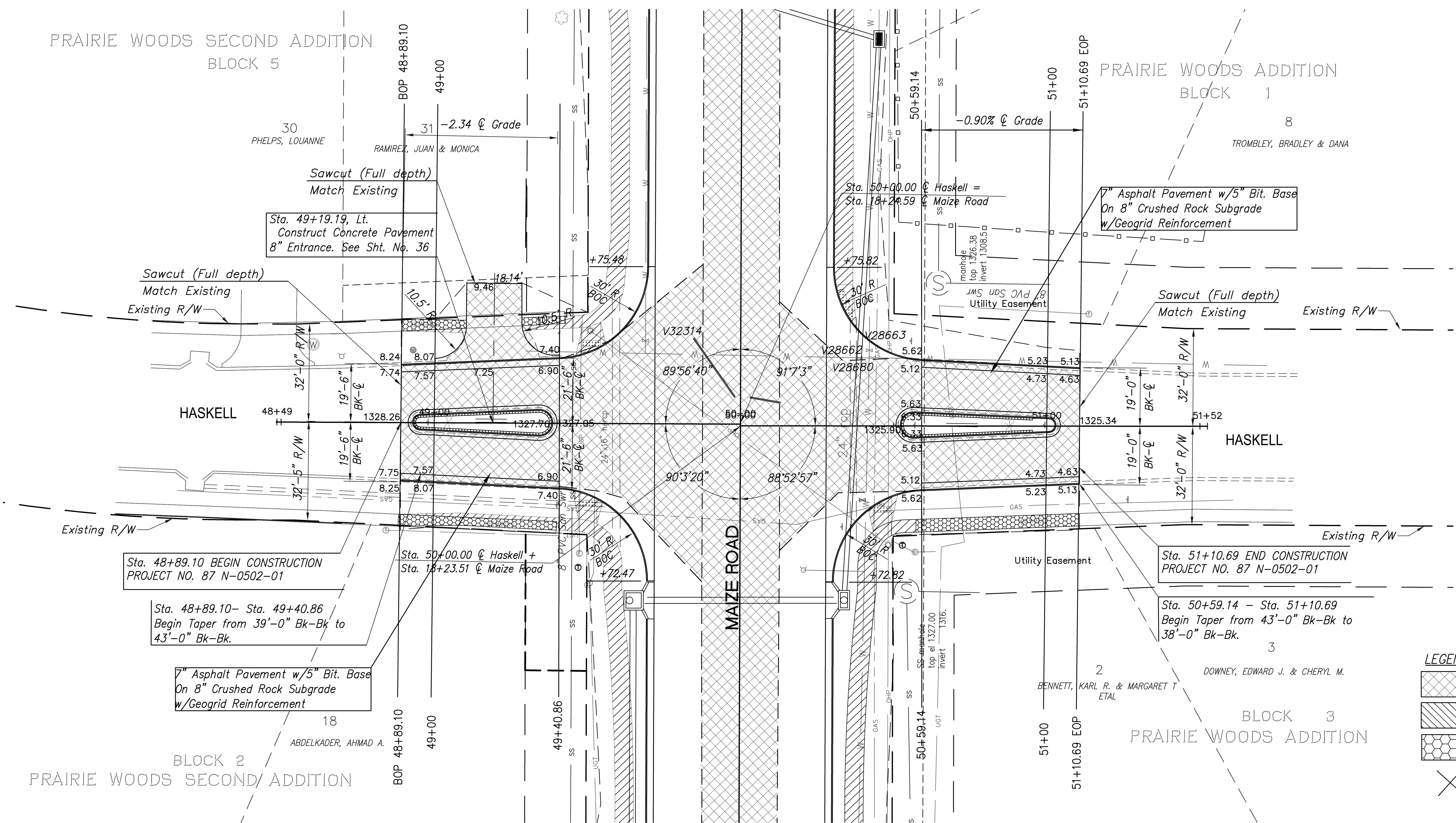
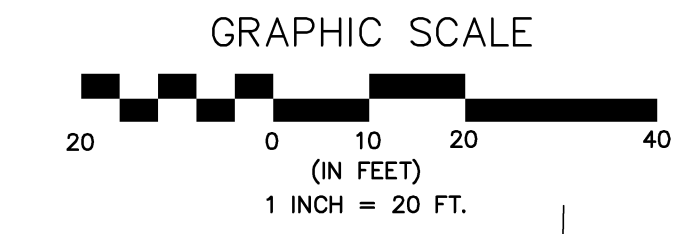
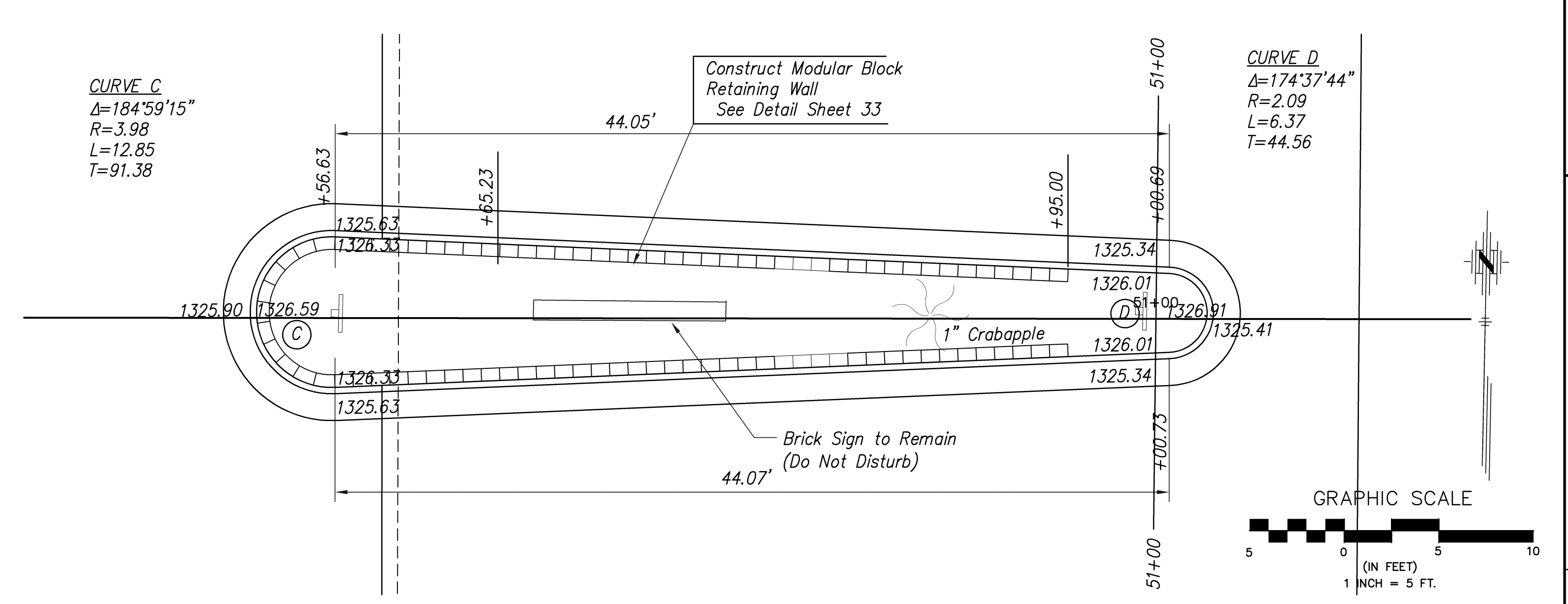
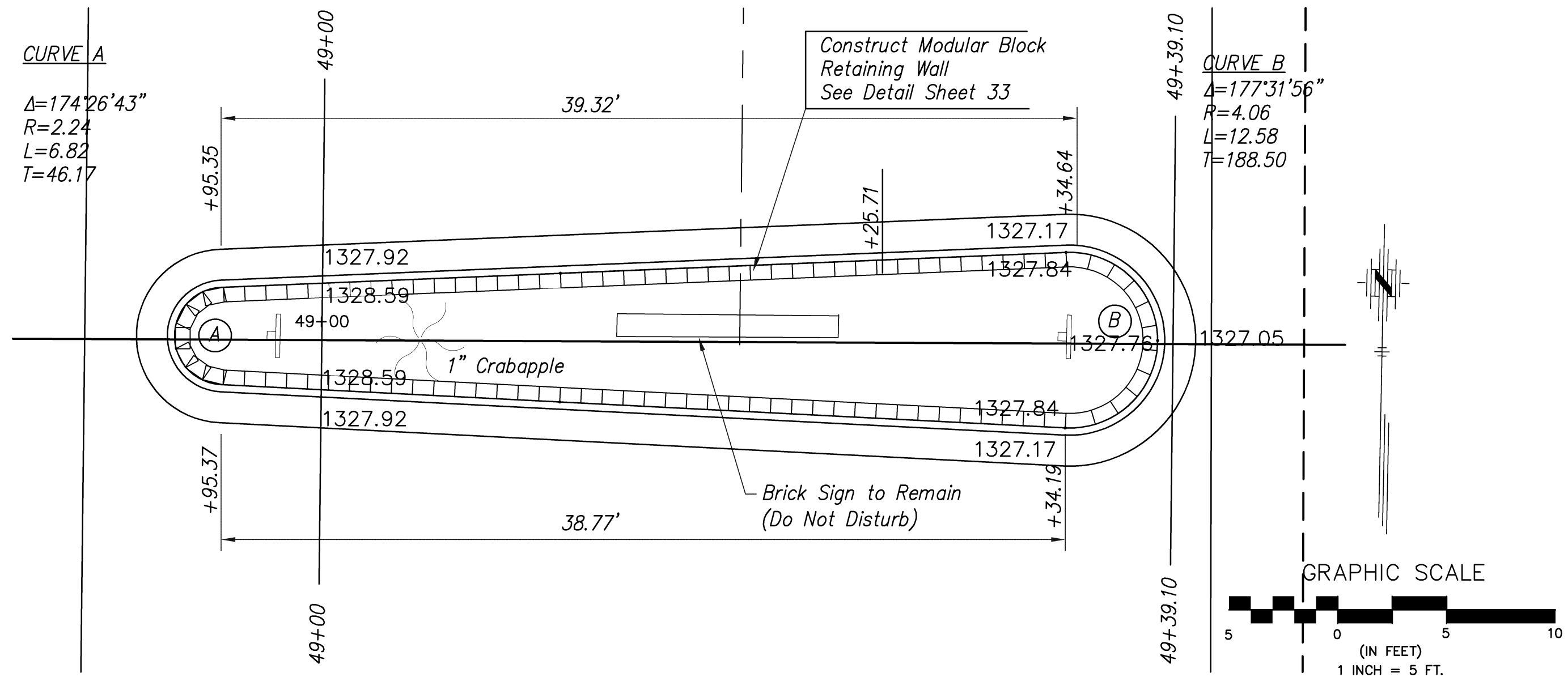


FHWA REG. NO.	STATE	PROJECT NO.:	YEAR	SHEET NUMBER	TOTAL SHEETS
7	KANSAS	87 N-0502-01	2009	20	226
A.R.R.A.-N050(201)					



LEGEND

	Asphalt Removal
	Sidewalk
	Sidewalk Remove & Replace
	Tree Removal



MAIZE ROAD
 WEST KELLOGG AVE. TO PAMNEE AVE.
 CITY OF WICHITA, KANSAS
 HASKELL PAVEMENT PLAN

POE & ASSOCIATES, INC.
 CONSULTING ENGINEERS
 5940 E. Central, Suite 200 • Wichita, KS 67208-4242
 Phone: 316/685-4114 • FAX: 316/685-4444

PE

Engineer: P. FERGUSON
 Designer: K. WARREN
 KDOT Job No.: 87 N-0502-01
 Date: SEPTEMBER 2009

Sheet 20 of 226