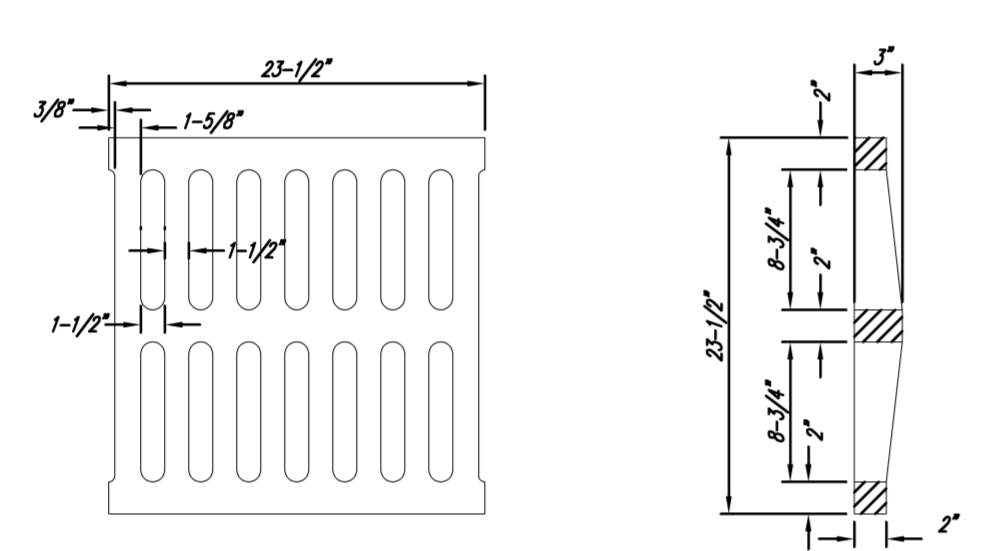
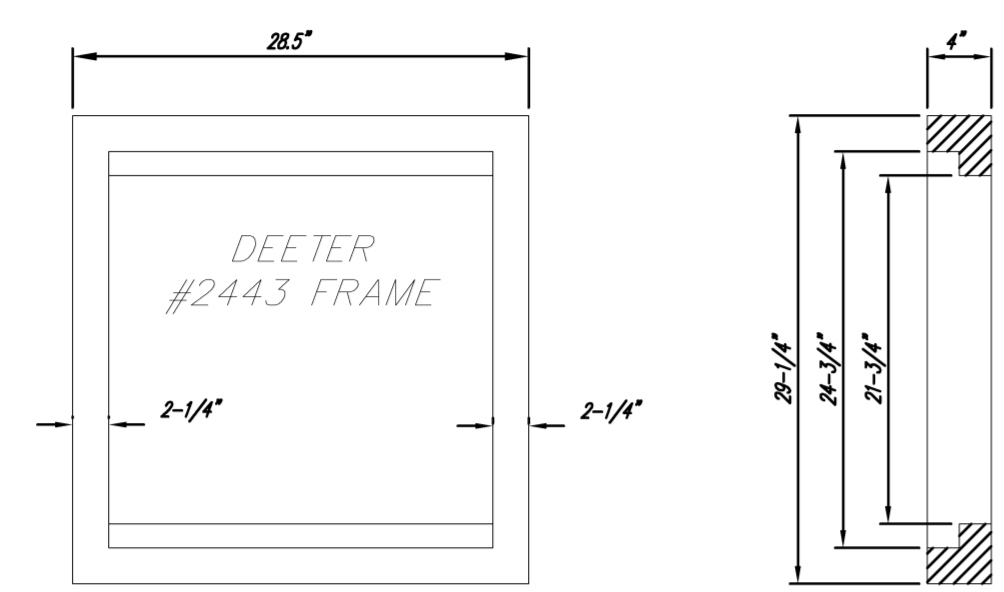
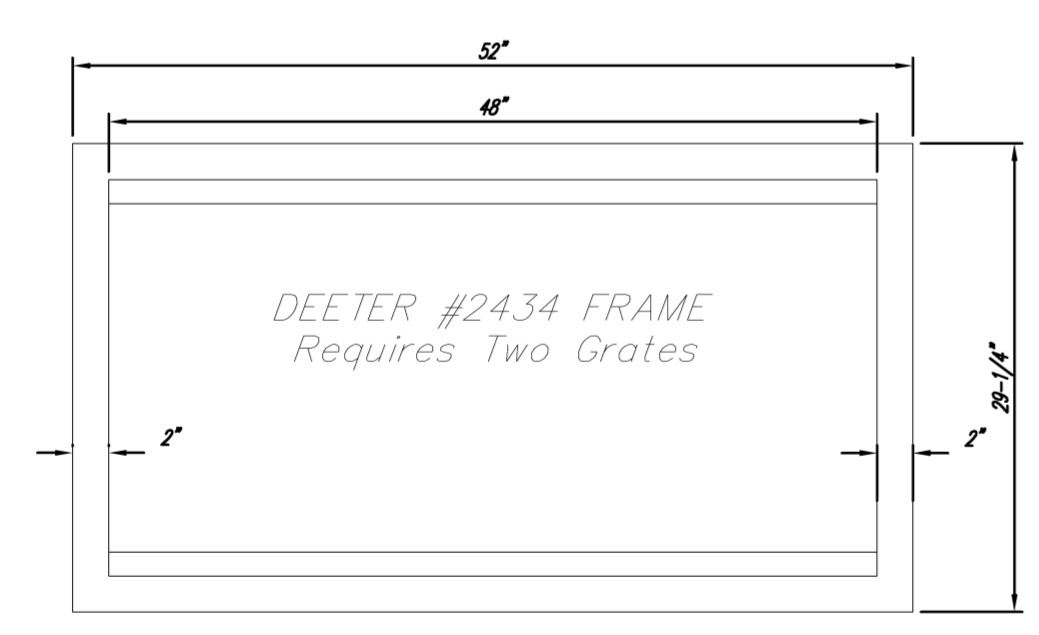


FHWA REG. NO.	STATE	PROJECT NO.:	YEAR	SHEET NUMBER	TOTAL SHEETS
7	KANSAS	87 N-0502-01	2009	43	228
A.R.R.A-N050(201)					

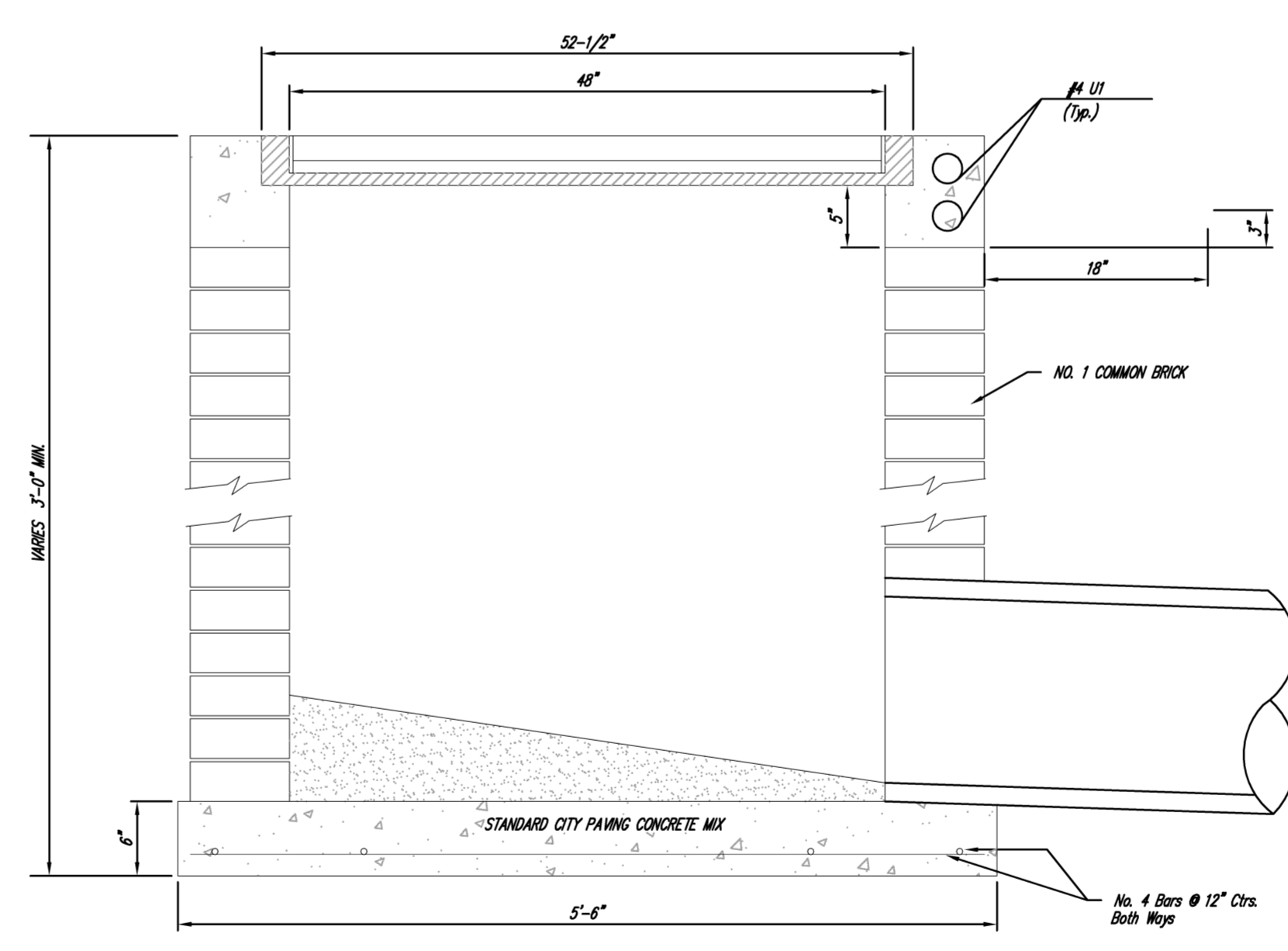
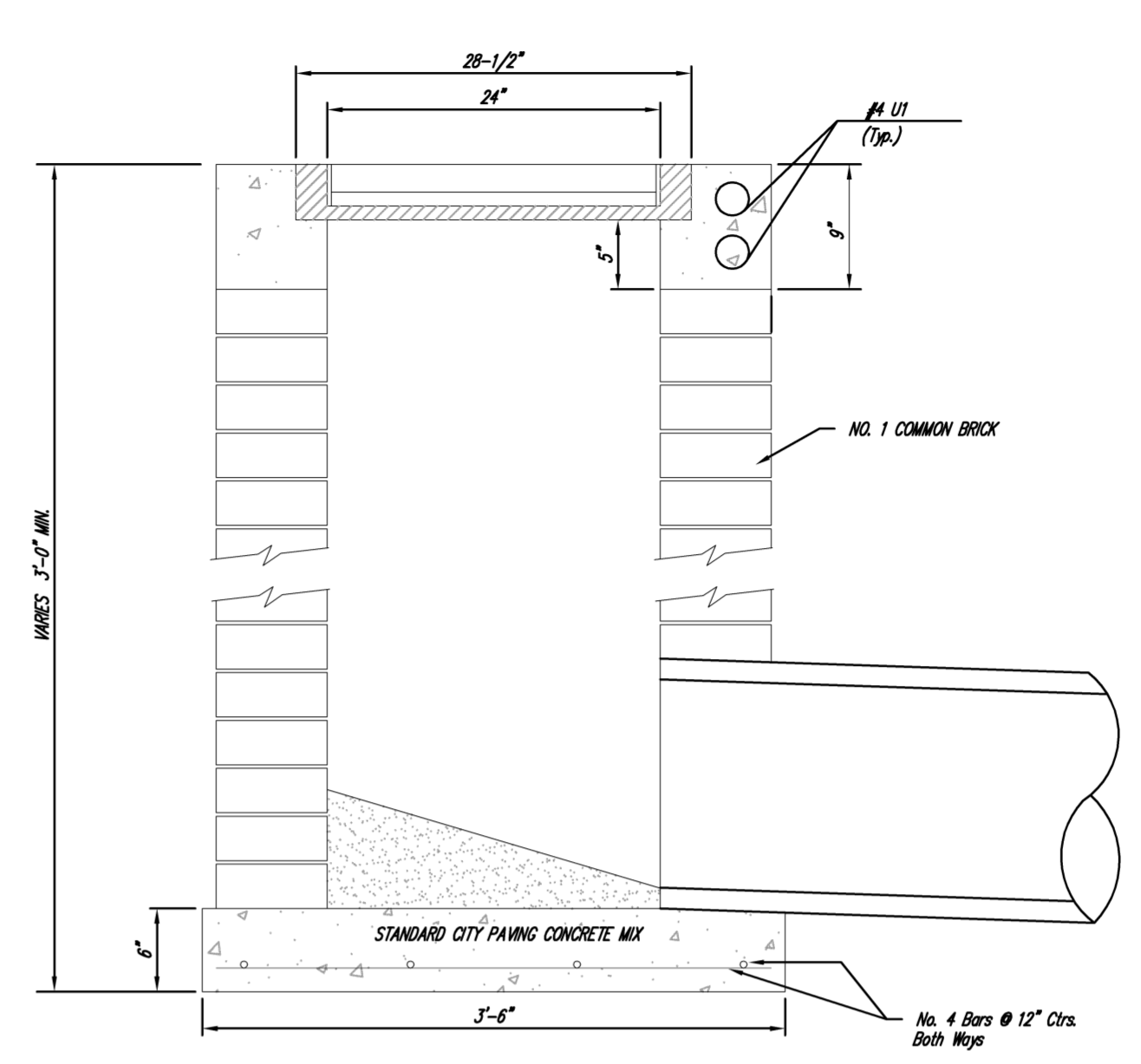
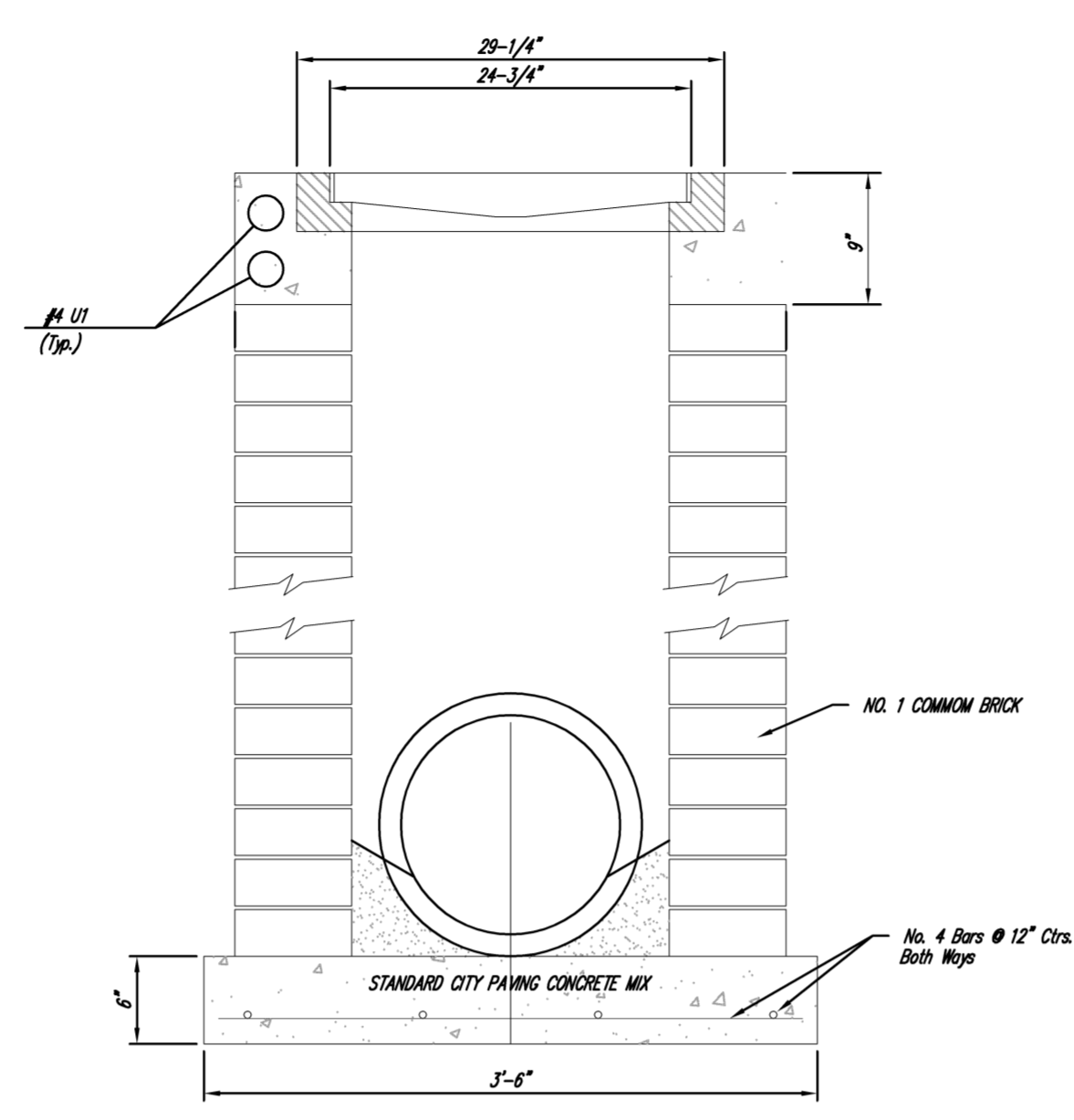
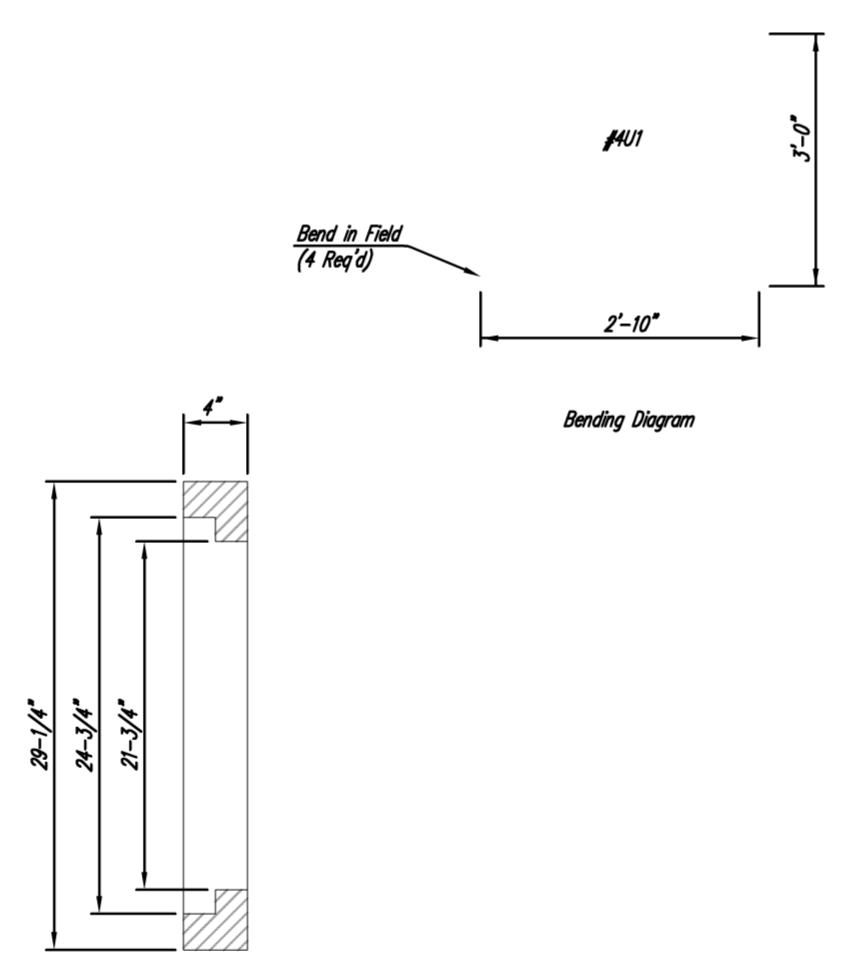


DEETER #2433 GRATE
24" x 24" Frame and Grate Detail

NOTE: Grates shall be imprinted on the top surface with "CITY OF WICHITA" using letters at least 1" in height. Other marking methods may be approved by the engineer.



Double 24" x 24" Frame Detail



GENERAL NOTES

- Concrete shall be City of Wichita Standard Paving Mix. All exposed edges shall be finished with an approved edging tool.
- Reinforcing steel shall be a minimum Grade 40, A.S.T.M. A615. All dimensions relative to placement of reinforcing are to the centerline of bars unless otherwise noted.
- Inlet castings shall be manufactured using good quality gray iron conforming to Class 30 A.S.T.M. designation A-48. Dimensions and weights shown on the detailed drawings shall be considered as minimum requirements and any deviations from the dimensions shown must be specifically approved. The finished castings shall be of uniform quality, free from blowholes, porosity, hard spots, shrinkage distortions or other defects.
- Construction requirements and materials for masonry walls shall conform to the requirements of the standard specifications.
- Inlet floor shall be shaped with unreinforced concrete (3 sack sand mix) to create flow channels and to increase hydraulic efficiency such that the inlet will be self cleaning between all inlet and/or outlet pipes.
- Area inlets shall be measured and paid for at the contract unit price bid per each. This shall be considered full compensation for all excavation, backfilling, materials, labor, connection to existing structures (if required), equipment, tools, and incidentals necessary to complete the work.

<p>THE CITY OF WICHITA</p> <p>CITY ENGINEER'S OFFICE CITY HALL - SEVENTH FLOOR 455 NORTH MAIN STREET WICHITA, KANSAS 67202 (316) 268-4501 (316) 268-4114 FAX</p>	DROP INLET 2' X 2' / 2' X 4'	
	JAMES L. ARMOUR P.E. - CITY ENGINEER	
	PROJECT NUMBER 87 N-0502-01	INDEX CODE
	DATE	

<p>POE & ASSOCIATES, INC. CONSULTING ENGINEERS 5940 E. Central, Suite 200 • Wichita, KS 67208-4242 Phone 316/685-1111 • FAX 316/685-4444</p>	MAIZE ROAD WEST KELLOGG AVE. TO PAWNEE AVE. CITY OF WICHITA, KANSAS DROP INLET DETAILS																				
	<table border="1"> <tr><td>No.</td><td>1</td><td>2</td><td>3</td></tr> <tr><td>Date</td><td></td><td></td><td></td></tr> <tr><td>By</td><td></td><td></td><td></td></tr> <tr><td>Approved</td><td></td><td></td><td></td></tr> <tr><td>Revision</td><td></td><td></td><td></td></tr> </table>	No.	1	2	3	Date				By				Approved				Revision			
	No.	1	2	3																	
	Date																				
By																					
Approved																					
Revision																					
<p>Engineer: P. FERGUSON Designer: K. WARREN KDOT Job No.: 87 N-0502-01 Poe Job No.: 1935 Date: SEPTEMBER 2009</p>																					
<p>Sheet 43 of 228</p>																					