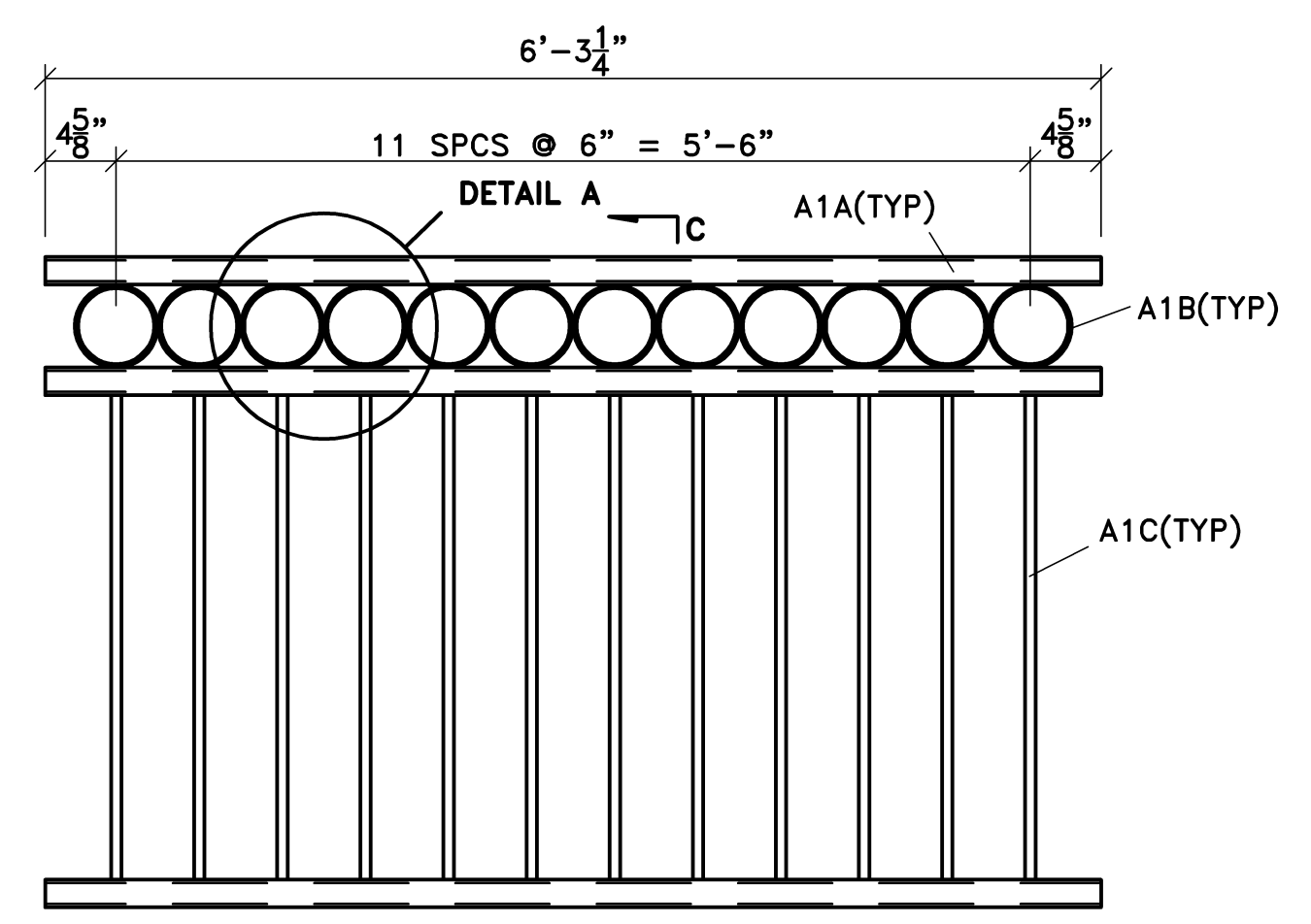
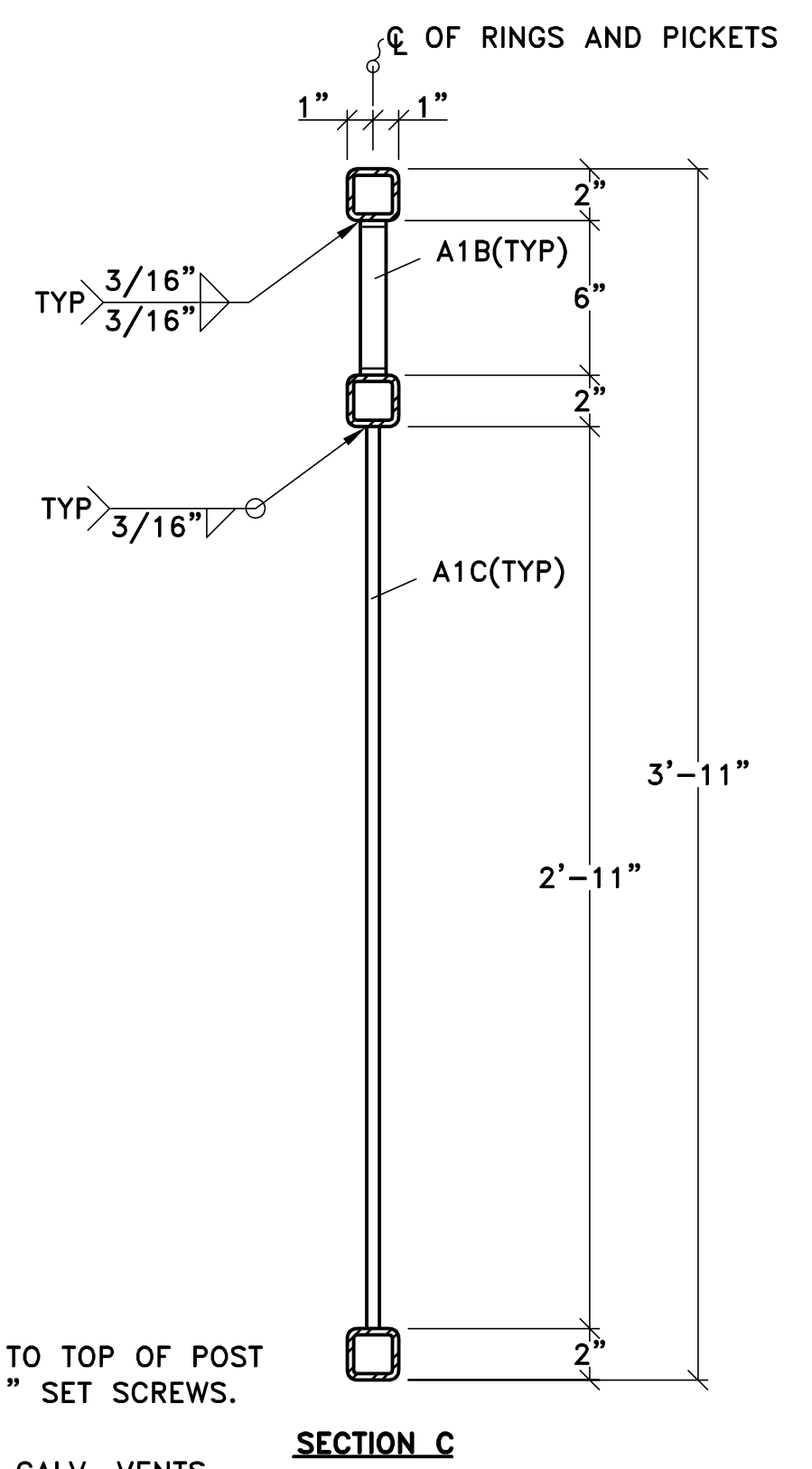
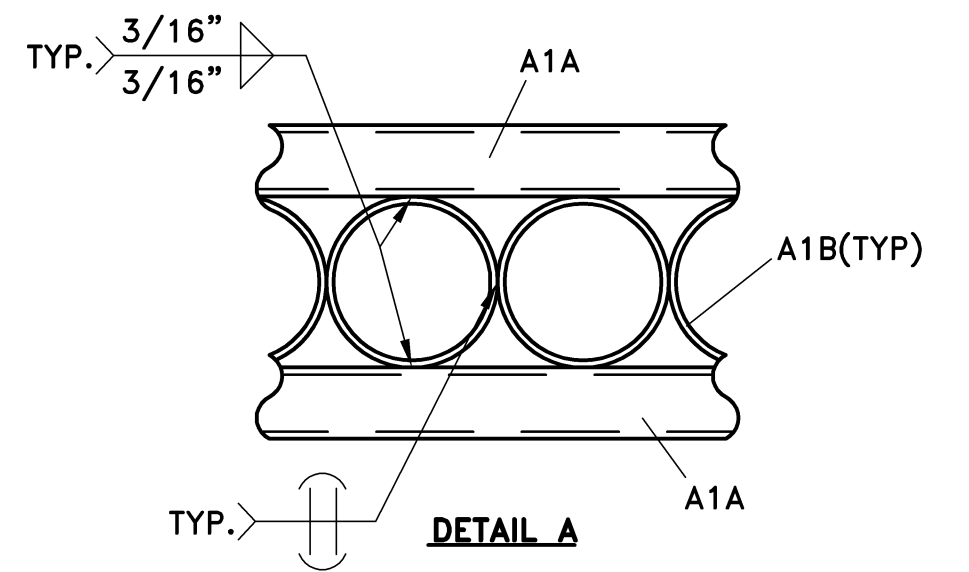


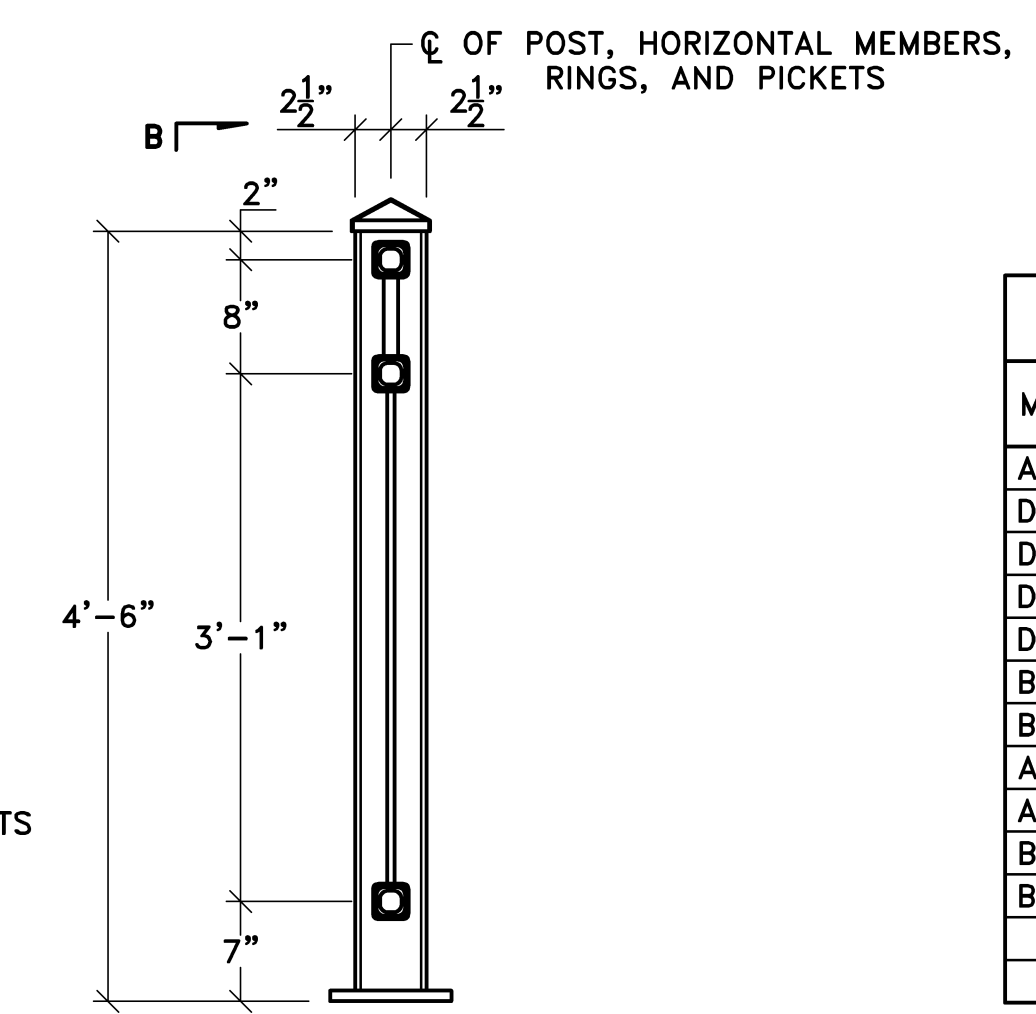
HANDRAIL ELEVATION
(LT. & RT.)



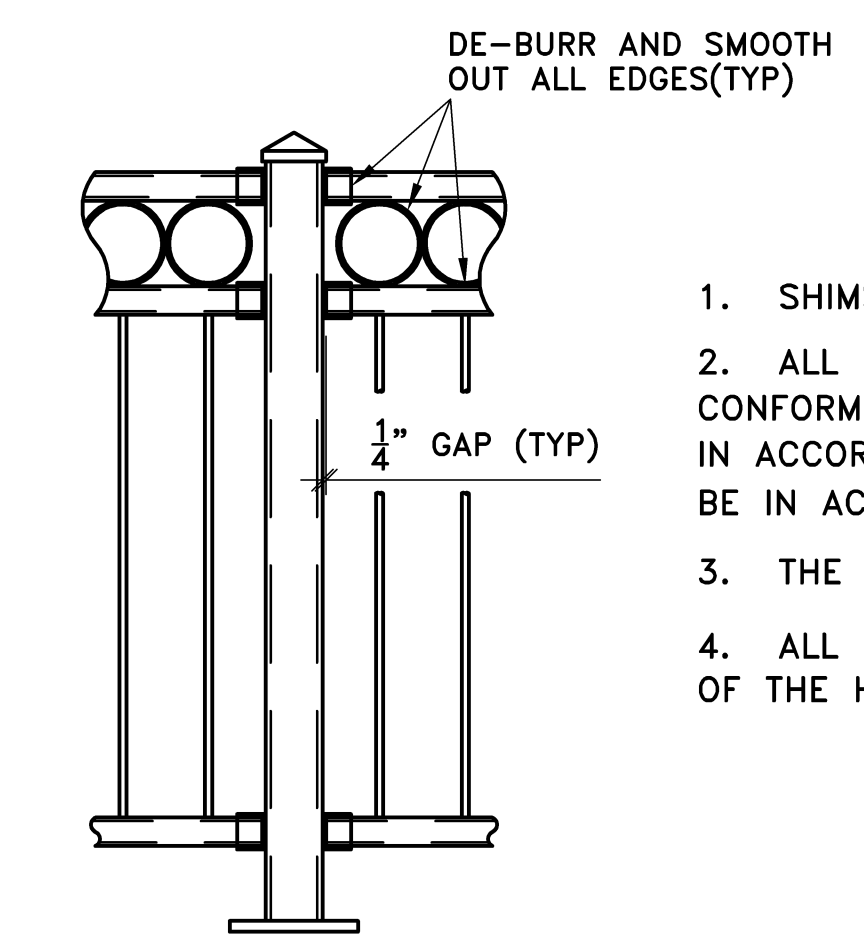
HANDRAIL PANEL MKA1



SECTION C



SECTION A



SECTION B

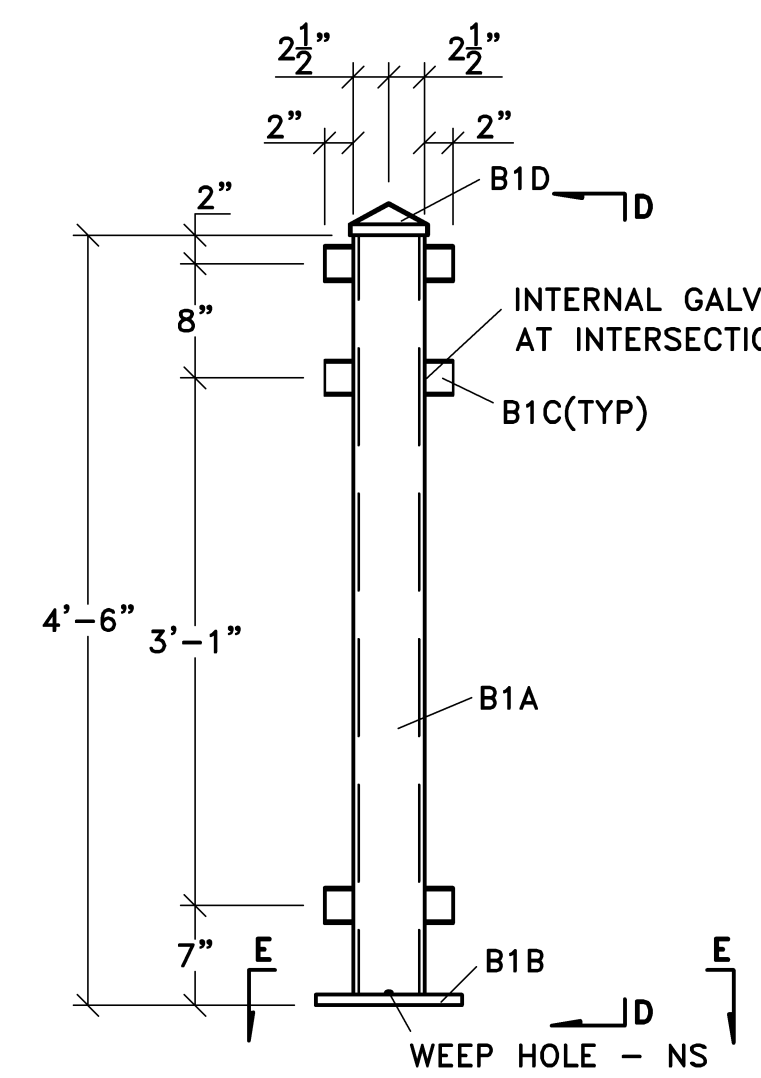
MATERIAL LIST					
MK.	DESCRIPTION	SIZE		SPECIFICATION	
		FEET	INCHES		
A1A	2"X2"X1/4" TUBE	6	3 1/4	ASTM A500	Gr. B ^{max} 41,70
D1A		0	8		
D1B		0	8		
D1C		0	6		
D1D		3	11		
B1A	5"X5"X3/8" TUBE	4	5 1/4		
B1C	2 1/2"X2 1/2"X3/16" TUBE	0	2		
A1B	6" O.D. X 1/4" WALL PIPE	0	1		
A1C	3/4" ROUND BAR	2	11	A36	
B1B	3/4"X7" PLATE	0	10 1/4		
B1D	5" POST CAP			A569	
*	1/2" ANCHOR SYSTEM	0	5 1/2	HILTI	HY150

* EXPANSION ANCHORS NOT ALLOWED

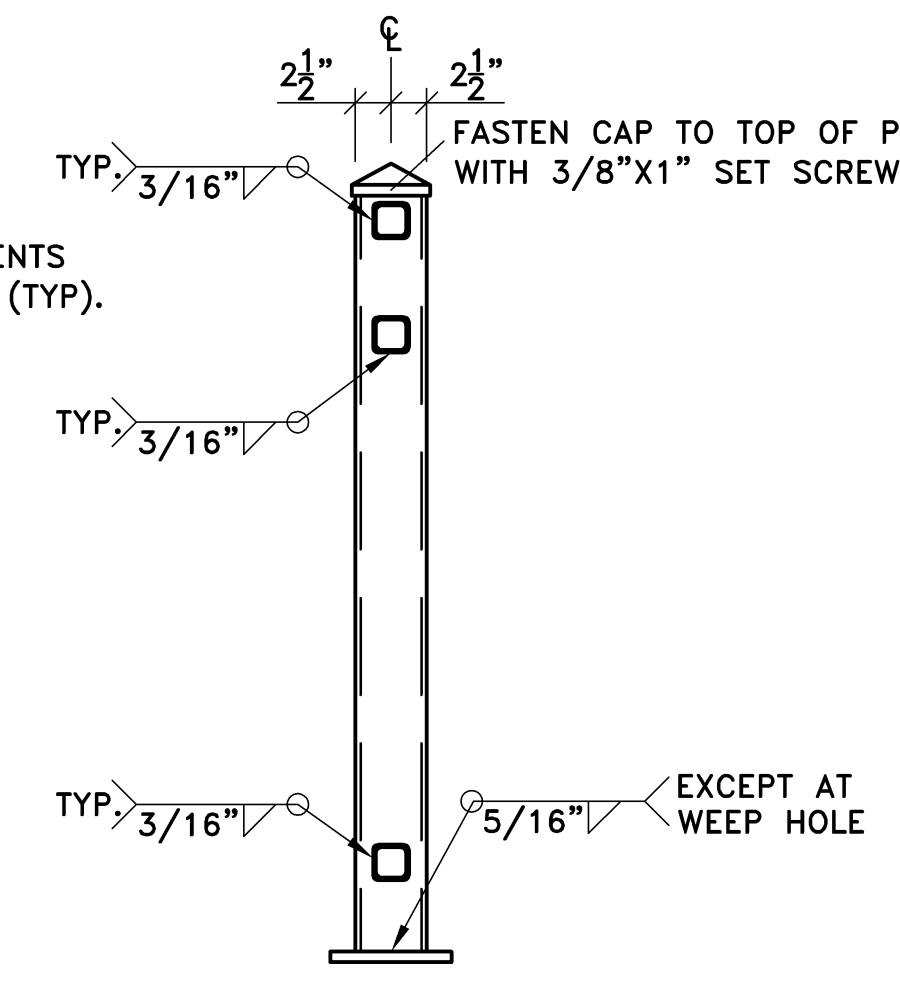
HANDRAIL NOTES

- SHIMS MAY BE USED BETWEEN CONCRETE AND BASE PLATES OF POSTS.
- ALL PARTS OF HANDRAIL SHALL BE PAINTED. THE PRIMER COAT SHALL CONFORM TO THE INORGANIC ZINC SYSTEM. SURFACE PREPARATION SHALL BE IN ACCORDANCE WITH THAT FOR STRUCTURAL STEEL. THE FINISH COAT SHALL BE IN ACCORDANCE WITH WATER-BORNE ACRYLIC FINISH COATING.
- THE HANDRAIL COLOR SHALL BE BLACK.
- ALL MATERIAL, EQUIPMENT AND LABOR NECESSARY FOR THE INSTALLATION OF THE HANDRAIL SHALL BE SUBSIDIARY TO "HANDRAIL (STEEL)".

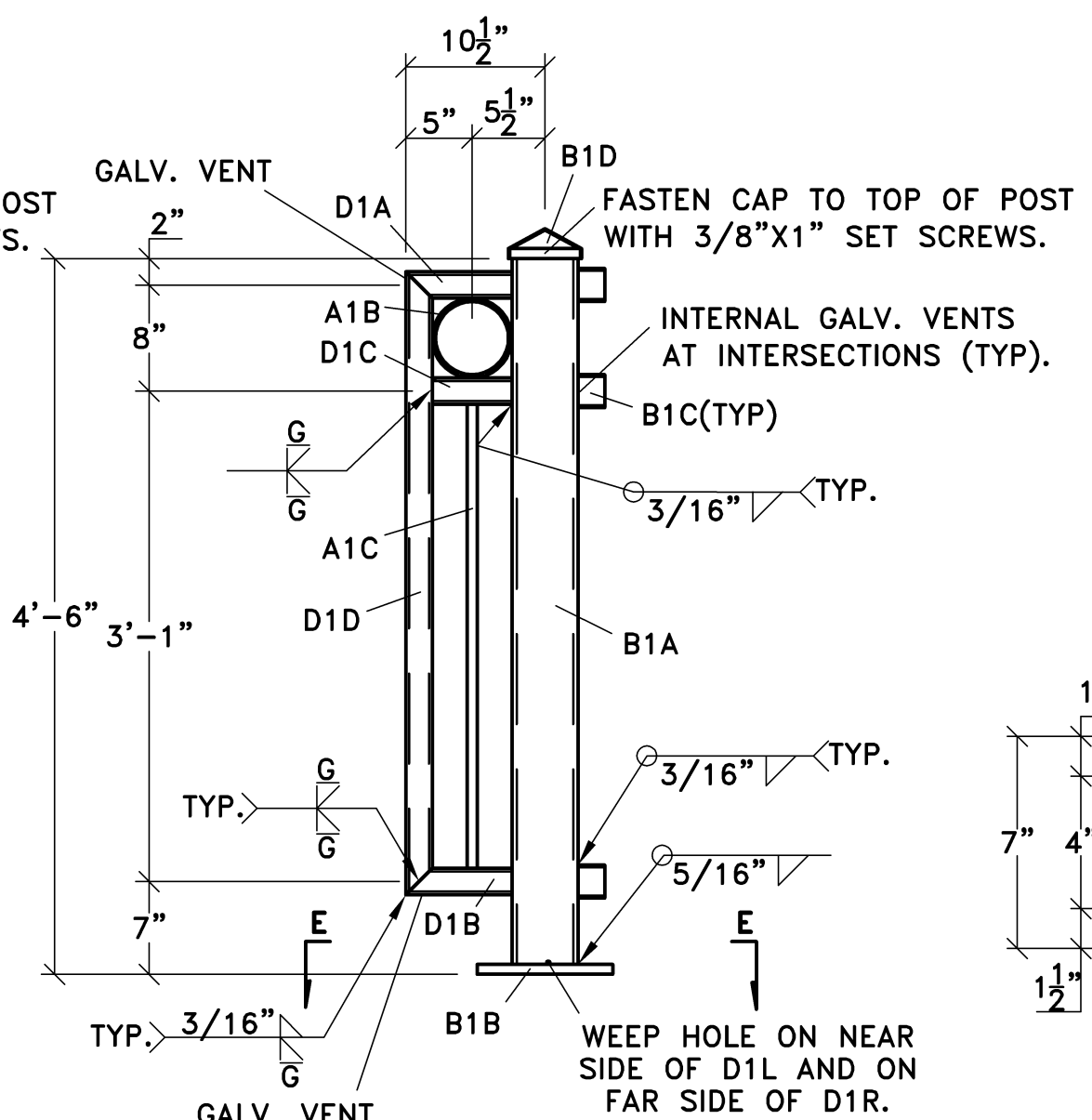
NOTE:
FOR WINGWALL DIMENSIONS SEE WINGWALL DETAIL SHEET



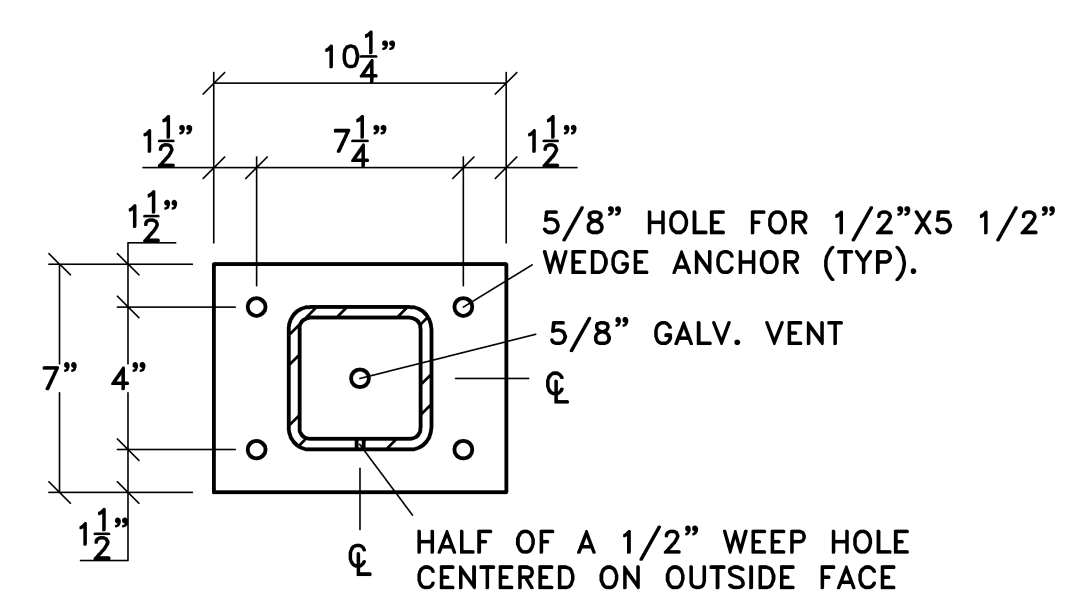
POST ASSEMBLY MKB1



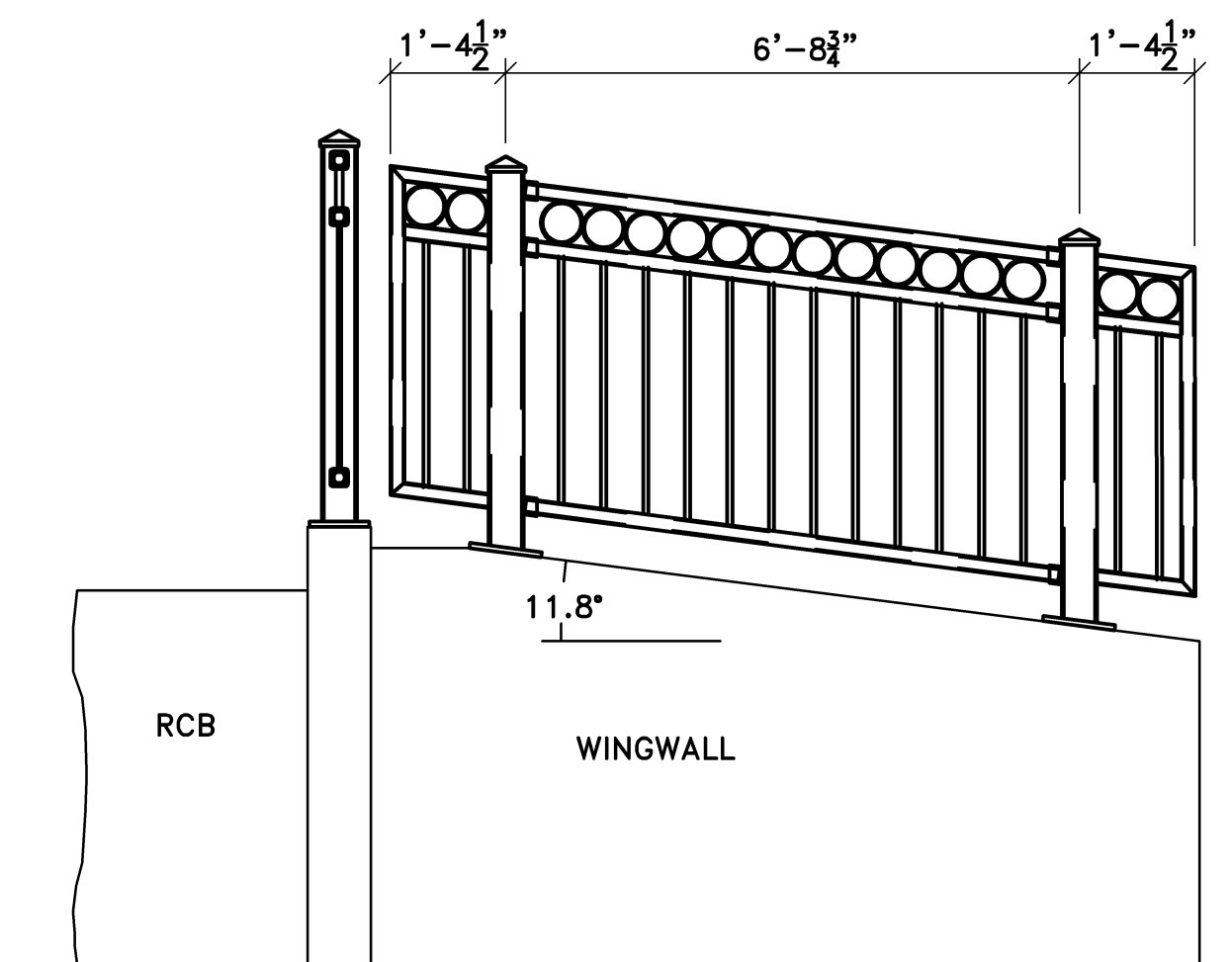
SECTION D



POST ASSEMBLY MKC1L
POST ASSEMBLY MKC1R



SECTION E

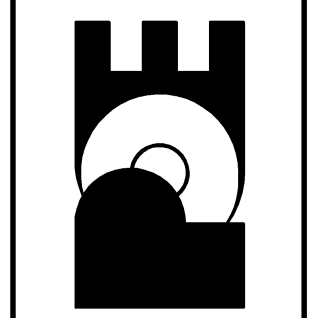


HANDRAIL ELEVATION ON WINGWALL
(TWO REQUIRED PER EXTENSION)

No. Date By Approved Revision

MAIZE ROAD
WEST KELLOGG AVE. TO PAINEE AVE.
CITY OF WICHITA, KANSAS
PEDESTRIAN RAIL DETAILS

POE & ASSOCIATES, INC.
CONSULTING ENGINEERS
5940 E. Central, Suite 200 Wichita, KS 67208-4242
Phone 316/685-4114 FAX 316/685-4444



Engineer: P. FERGIJON
Designer: M. NORFLEET
KDOT Job No.: 87 N-0502-01 Poe Job No.: 1935
Date: AUG 2009