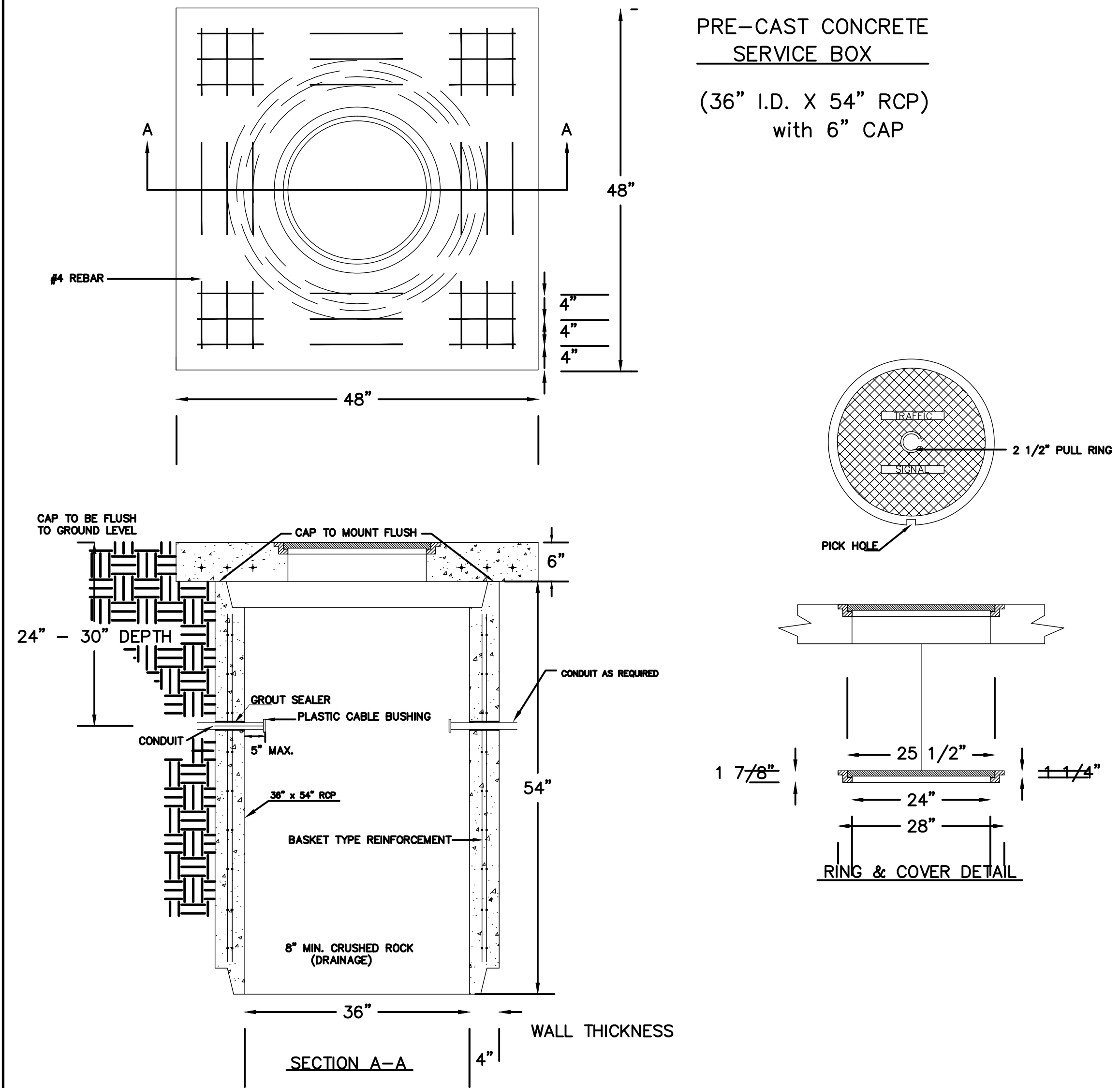
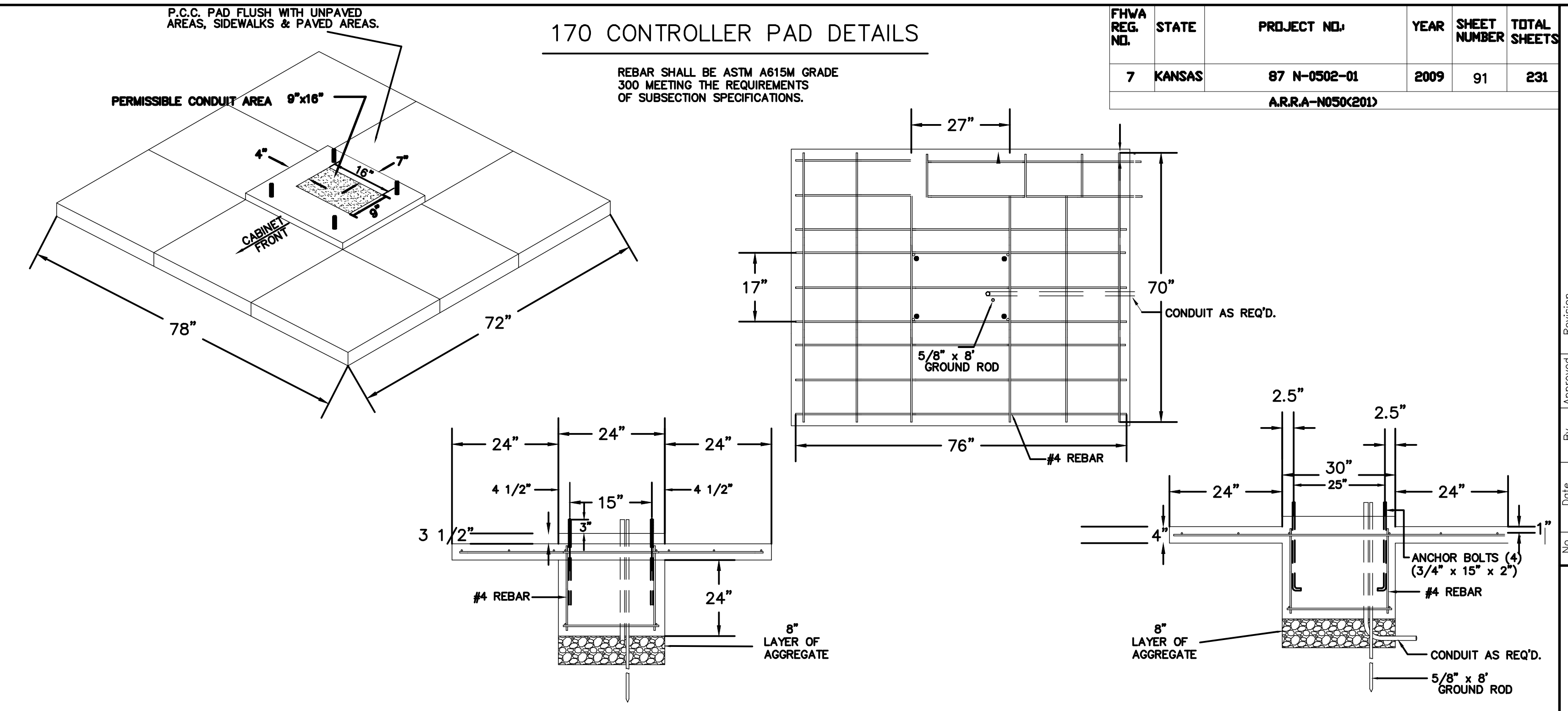


SERVICE BOX CONSTRUCTION/INSTALLATION DETAILS

DATE	
BY	
REFERENCES NOTED	
REFERENCES CHECKED	



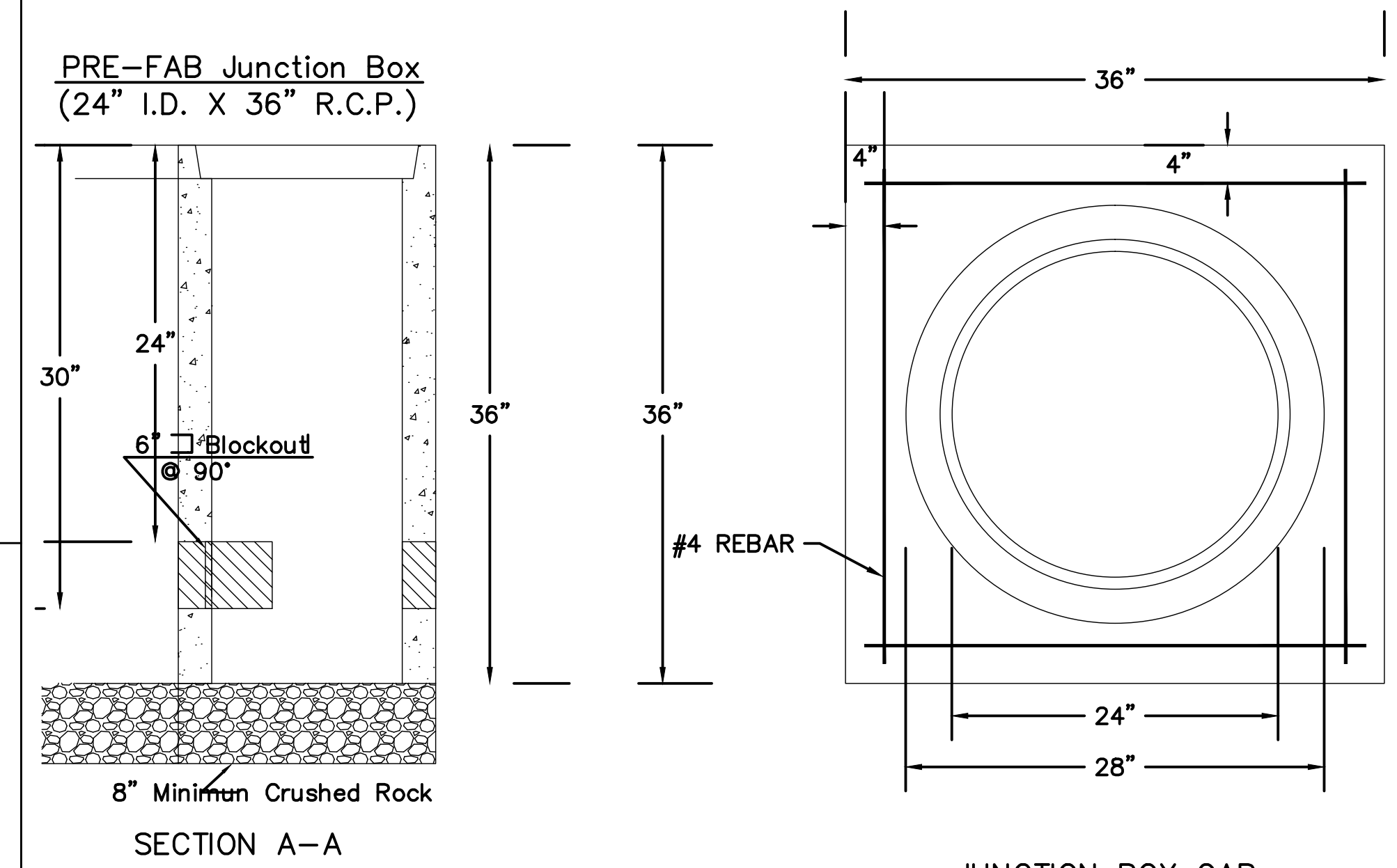
170 CONTROLLER PAD DETAILS



FHWA REG. NO.	STATE	PROJECT NO.	YEAR	SHEET NUMBER	TOTAL SHEETS
7	KANSAS	87 N-0502-01	2009	91	231

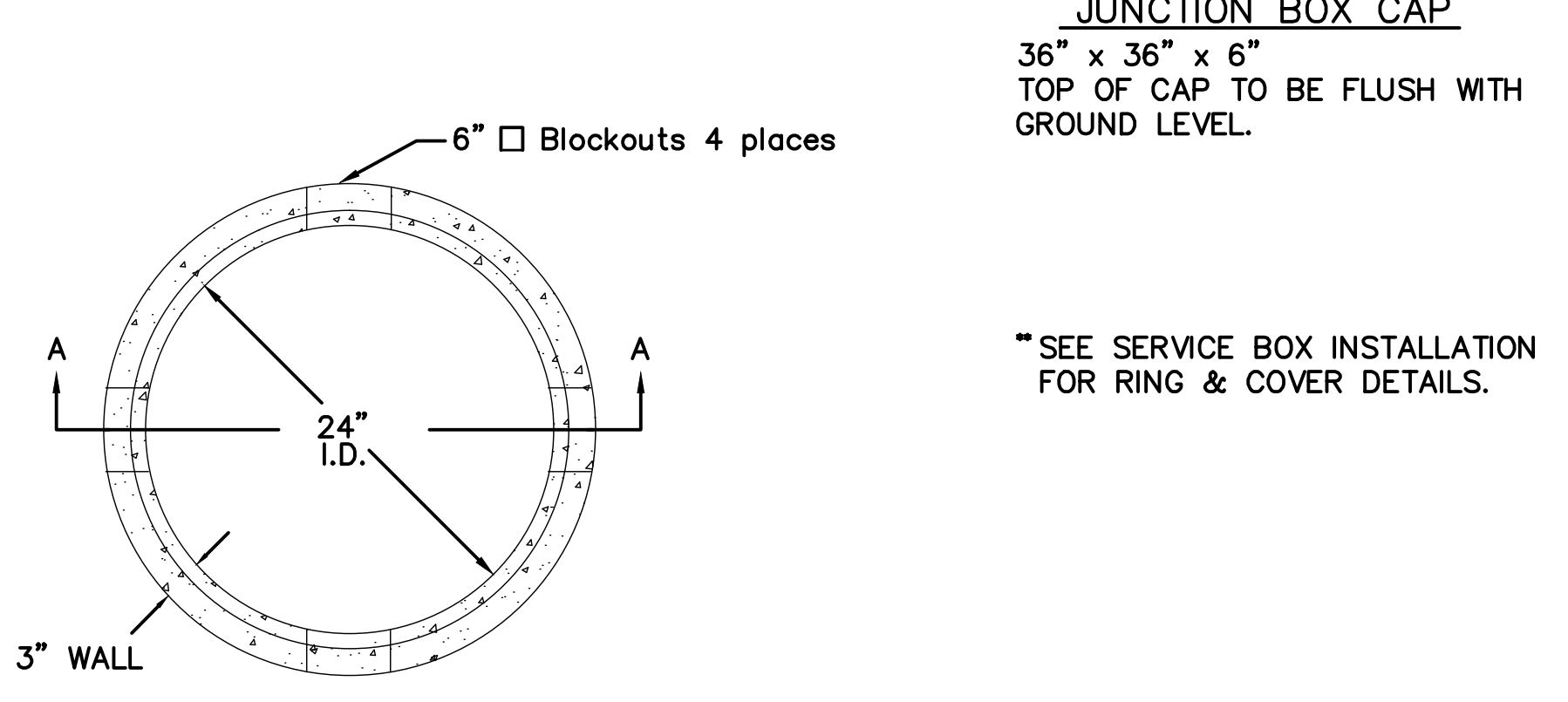
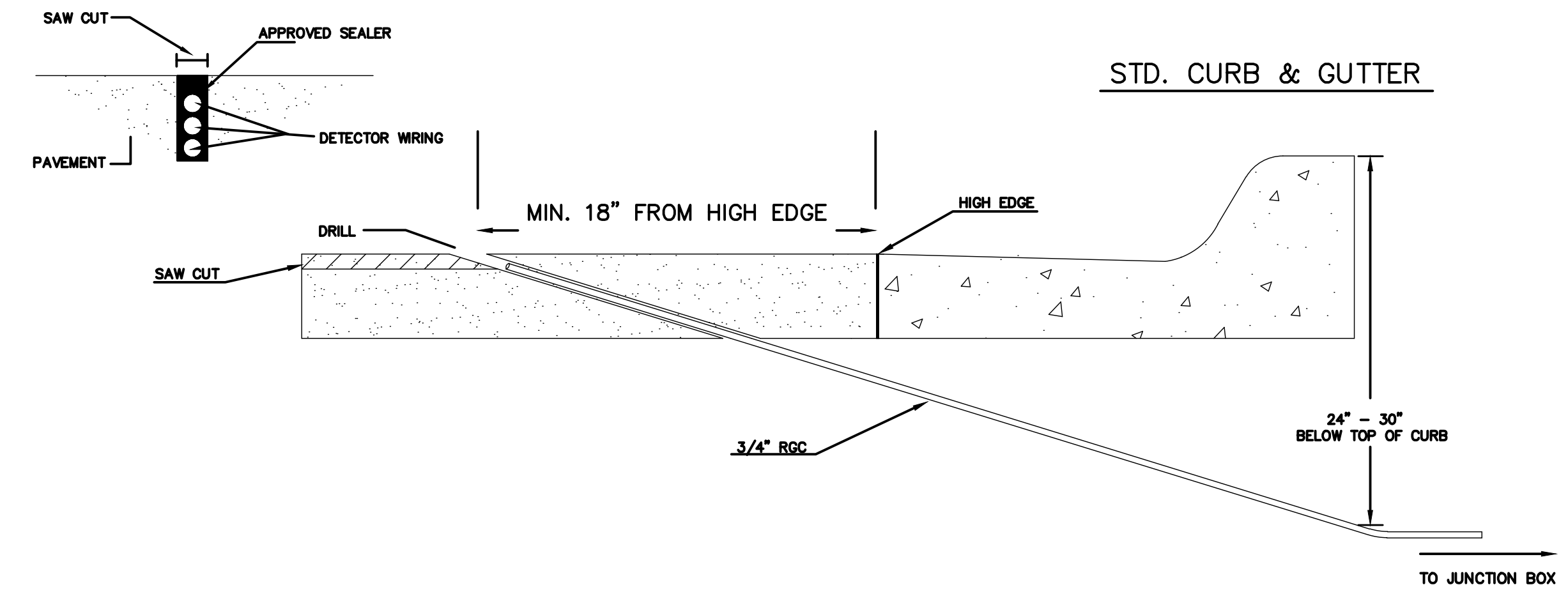
A.R.R.A.-N050(201)

JUNCTION BOX DETAILS



- NOTES:**
- SERVICE & JUNCTION BOX:**
- CONDUIT CONNECTION TO BE FLUSH TO WITHIN 5" OF INSIDE FACE OF SIDE WALL, CONDUIT TO DRAIN INTO SERVICE BOX.
 - CONDUIT CONNECTIONS TO SERVICE BOX SHALL BE TERMINATED WITH PLASTIC CABLE BUSHING.
 - CONDUIT SHALL BE SEALED WITH APPROVED SEALER AT INSIDE WALL FACE.
 - ALL SERVICE & JUNCTION BOXES TO HAVE 8" OF CRUSHED ROCK.
- TRENCHING:**
- DEPTH TO BE 30" MINIMUM WITH ROCK & STUBBLE FREE BACKFILL TO SERVE AS BEDDING MATERIAL. MAINTAIN MINIMUM CONDUIT DEPTH IN TRENCH.
 - BACKFILL TO BE COMPACTED IN 6" LOOSE LIFTS BY HAND OR MECHANICAL TAMPING TO A 95% STANDARD DENSITY.
- CONDUIT:**
- SLOPE CONDUIT TO DRAIN AS DIRECTED BY THE ENGINEER.
 - 3" RIGID STEEL CONDUIT BTWN. SERVICE BOXES.
2" " " " BTWN. SERVICE BOX AND POLE.
1 1/4" " " " BTWN. SERVICE & JUNCTION BOXES.
3/4" " " " BTWN. JUNCTION BOXES.
3/4" " " " BTWN. JUNCTION BOX & DETECTOR LOOP SAW CUT

CONDUIT/DETECTOR WIRE INSTALLATION DETAILS



**SEE SERVICE BOX INSTALLATION FOR RING & COVER DETAILS.

<p>CITY OF WICHITA PUBLIC WORKS ENGINEERING</p>	PROJECT DESCRIPTION	
	SERVICE/JUNCTION BOX, CONTROLLER PAD CONSTRUCTION/INSTALLATION DETAILS	
	PROJECT NUMBER	
	CITY OF WICHITA	
DRAWN BY: T.M. DATE: Apr. 96	APPROVED BY: 	REVISED: A.S. DATE: Jan. 2006
DEPARTMENT OF PUBLIC WORKS		SCALE
TRAFFIC ENGINEERING DIVISION		NO SCALE
PAUL D. GUNZELMAN P.E. TRAFFIC ENGINEER		

FINAL

Engineer: P. FERGUSON
Designer: P. FERGUSON
Poe Job No.: 1935
Date: AUGUST, 2009

MAIZE ROAD
WEST KELLOGG AVE. TO PANWEE AVE.
CITY OF WICHITA, KANSAS
TRAFFIC SIGNAL DETAILS

POE & ASSOCIATES, INC.
CONSULTING ENGINEERS
5940 E. Central, Suite 200, Wichita, KS 67208-2442
Phone: 316/685-4114 FAX: 316/685-4444

Sheet 91 of 226