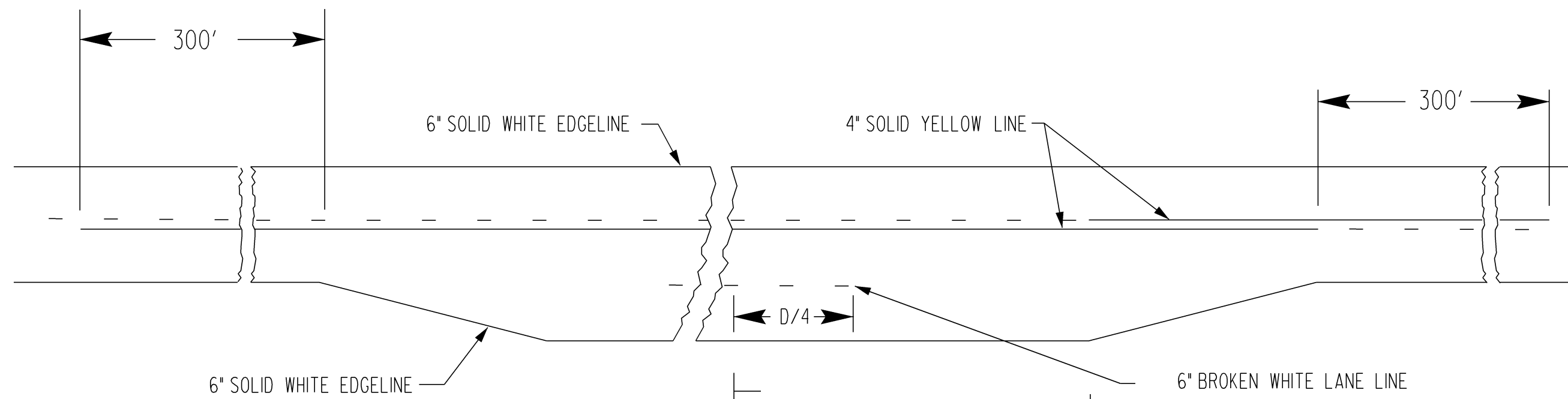
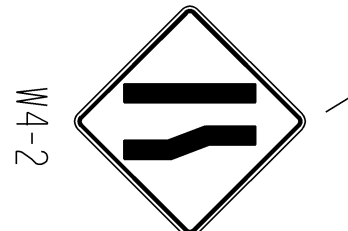


STATE	PROJECT NO.	YEAR	SHEET NO.	TOTAL SHEETS
KANSAS	87 N-0502-01	2009	97	226

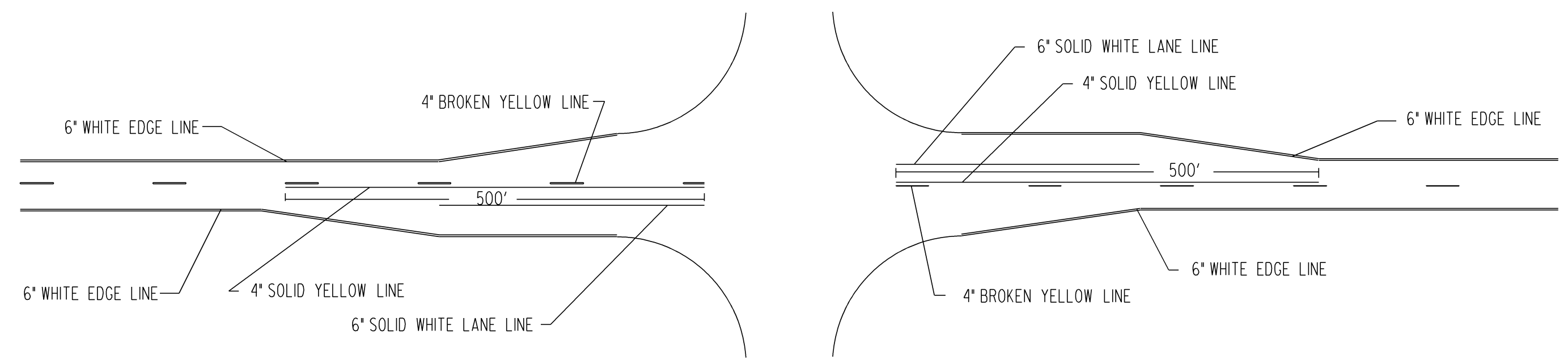


NOTE:
 DOTTED EXTENSION LINE TAPER LENGTH
 POSTED SPEED • 12
 FOR POSTED SPEEDS ABOVE 40 MPH

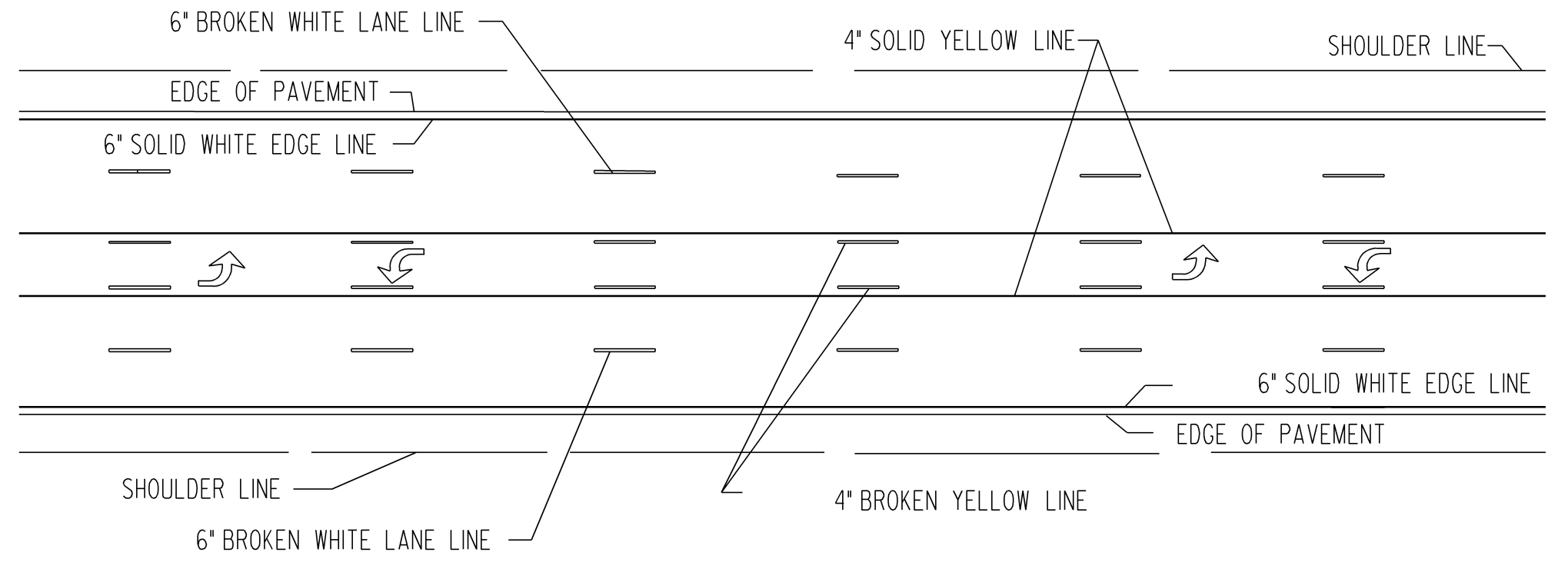


TYPICAL MARKING FOR AUXILIARY PASSING LANE

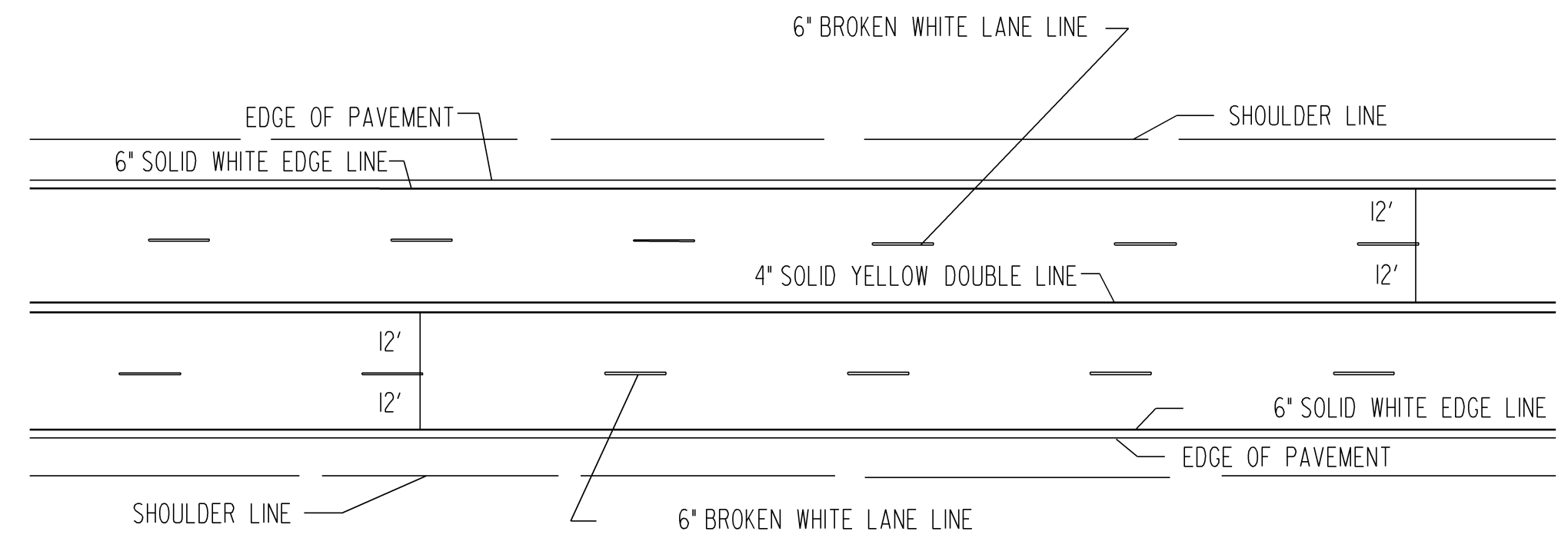
NOTE: ALL PAVEMENT MARKINGS SHALL BE BROKEN AT CROSS ROADS.
 FOR HIGHWAY JUNCTIONS THE NO PASSING ZONE WILL EXTEND 1000' FROM INTERSECTION



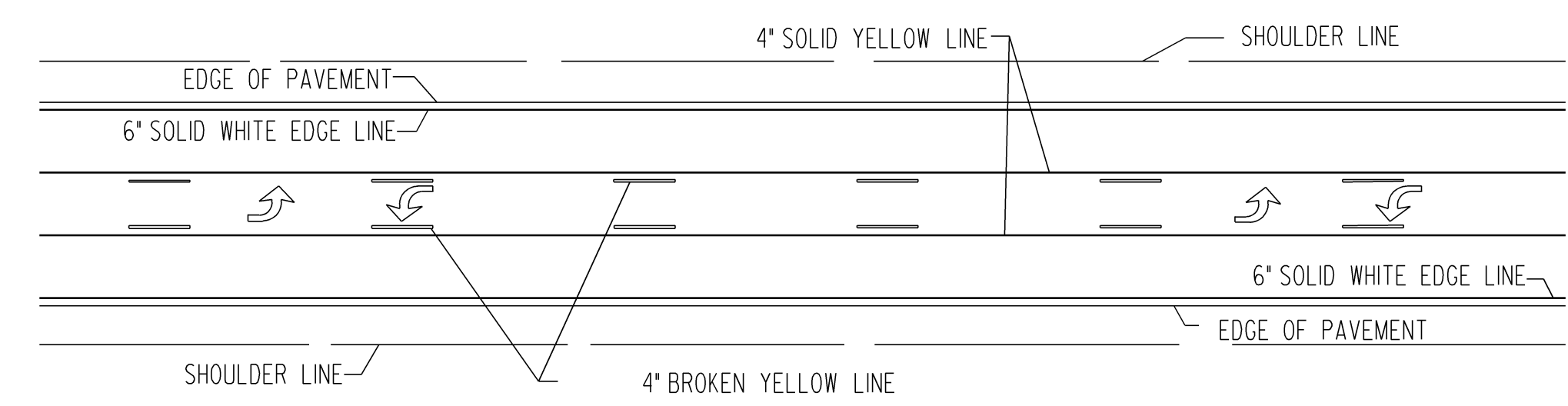
TYPICAL ROAD JUNCTION MARKINGS WITH BYPASS LANES



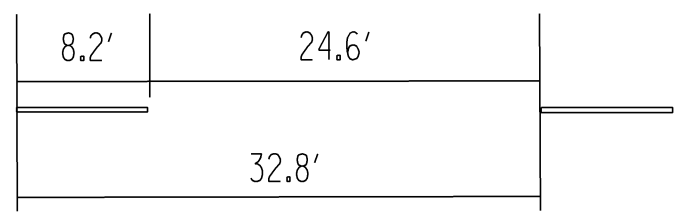
TWO-WAY LEFT TURN DETAIL FOR FIVE LANE ROADWAY



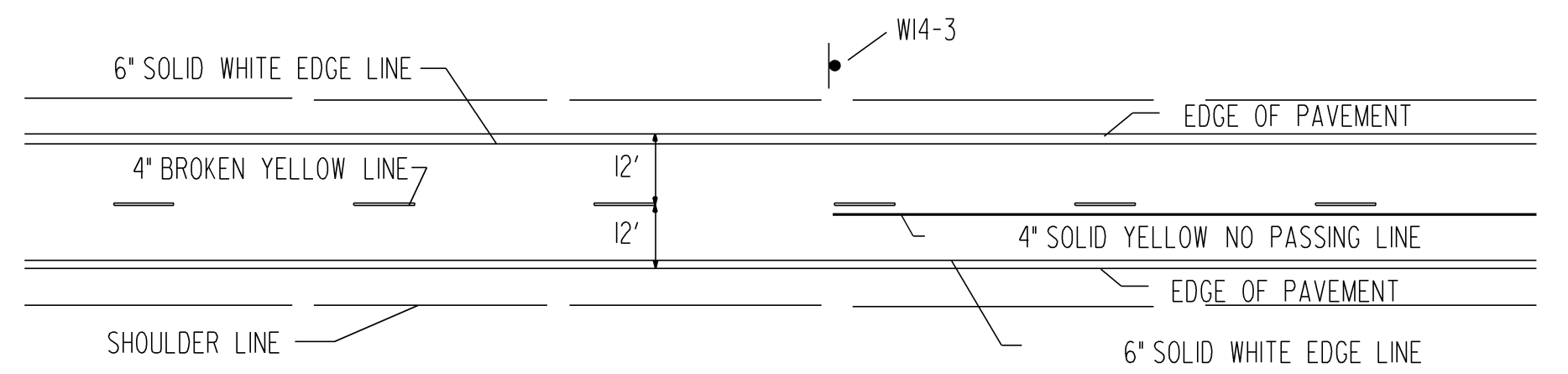
TYPICAL MARKINGS FOR FOUR LANE ROADWAY



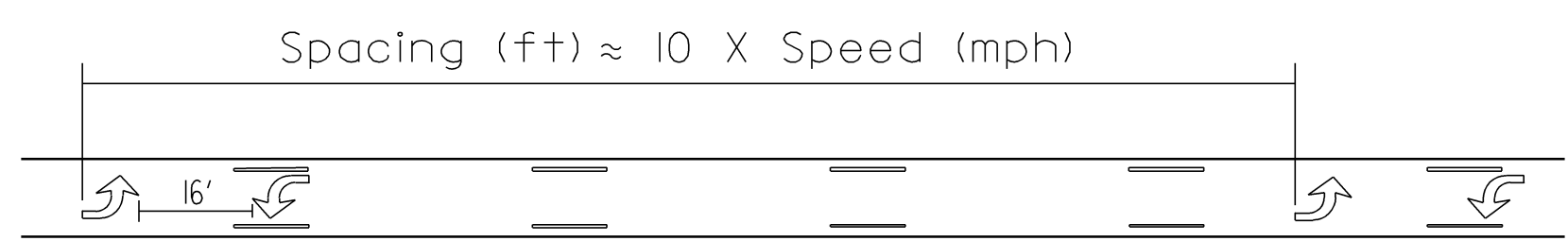
TWO-WAY LEFT TURN DETAIL FOR THREE LANE ROADWAY



TYPICAL SPACING FOR BROKEN LINES UNLESS OTHERWISE NOTED ON PLANS

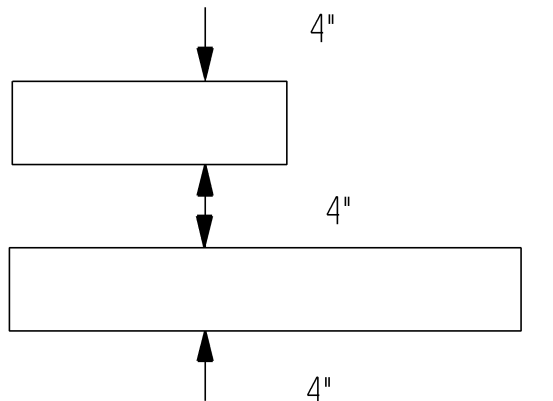


TYPICAL TWO LANE MARKINGS



TWO-WAY LEFT TURN ARROW SPACING DETAIL

NOTE: If arrows are used space the arrows as shown in the spacing detail



TYPICAL SPACING FOR NO PASSING LINES UNLESS OTHERWISE NOTED ON PLANS

NOTE:
 LONGITUDINAL PAVEMENT MARKING LINES SHALL BE OFFSET A MINIMUM OF 2" FROM LONGITUDINAL PAVEMENT JOINTS.

NOTE:
 ON NON I, US, AND K ROUTES, 4" EDGE LINES MAY BE INSTALLED. 6" EDGE LINES ARE NOT REQUIRED ON NON I, US, AND K ROUTES.

Plotted By : \$\$USERNAME\$\$
 Plot File : \$\$\$DMSPEC\$\$\$
 Plot Date : \$\$\$SYTIME\$\$\$

3					
2	09/20/2005	Removed auxiliary passing lane dotted extension line	JFF	BDC	
1	07/26/2005	New FHWA Approval	JFF	BDC	
NO.	DATE		BY	APP'D	

KANSAS DEPARTMENT OF TRANSPORTATION
 TYPICAL PAVEMENT MARKING DETAILS FOR UNDIVIDED ROADWAYS
 TE308
 FHWA APPROVAL 07/26/2005 APP'D Brian D. Gower
 DESIGNED JFF DETAILED JFF QUANTITIES JFF TRACED JFF
 DESIGN CK. BDC DETAIL CK. BDC QUAN. CK. TRACE CK.