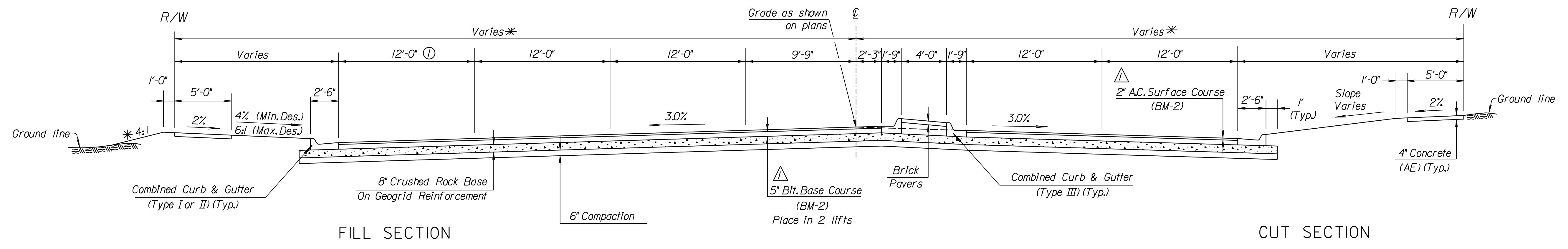


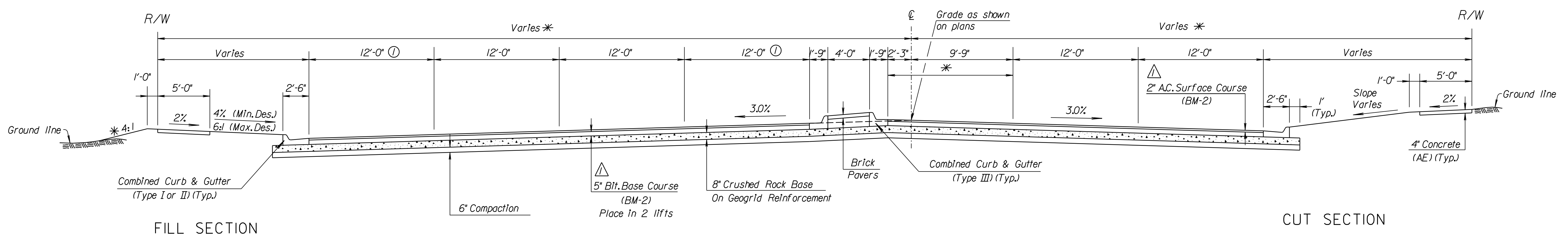
COUNTY	STATE	PROJECT NO.	YEAR	SHEET NO.	TOTAL SHEETS
SEDGWICK	KANSAS	87 N-0386-01	2009	5R	255

△ Revised 12/30/2009



GREENWICH ROAD SECTION
Sta.101+02.18 to Sta.104+27.61

① See plans for turn lane locations
* See plans and cross sections for variations



GREENWICH ROAD SECTION
Sta.97+00.00 to Sta.98+97.20

CITY OF WICHITA JAMES ARMOUR, P.E., CITY ENGINEER	
TYPICAL SECTIONS GREENWICH ROAD	
SCALE N.T.S.	DATE 11/23/2009
DWG. NO. 35751A	

K:\35751A\CADD\SHEETS\ROADWAY\TYP\GRNWH-TYP02.dgn
 SURV. PLOT CADD DES. RAN DR. JRI TR. CKD. JJR APP.