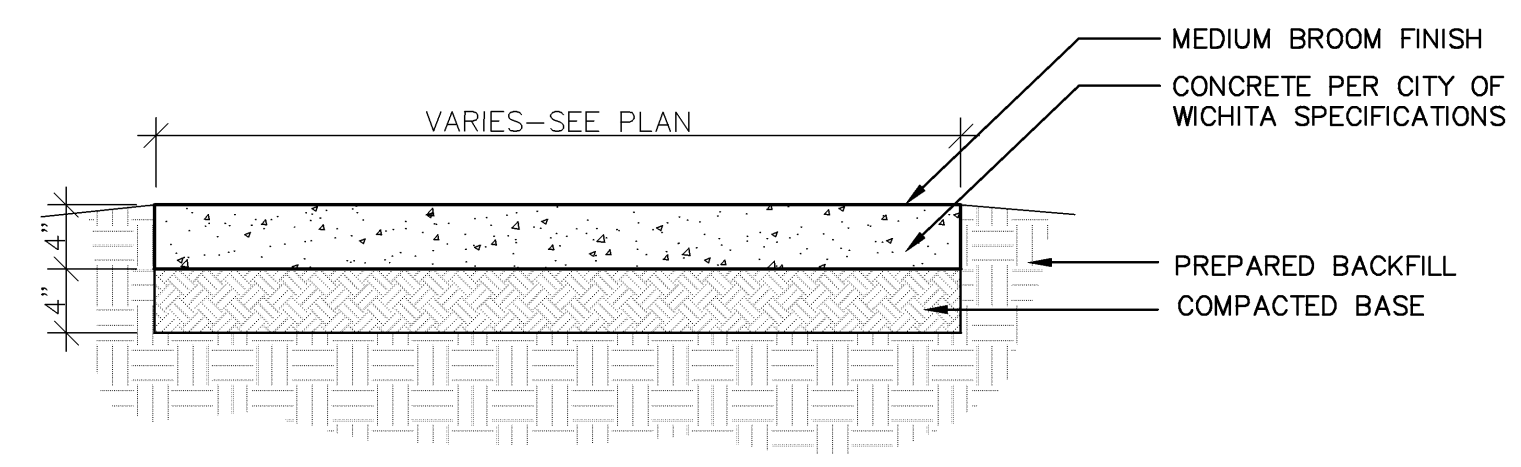
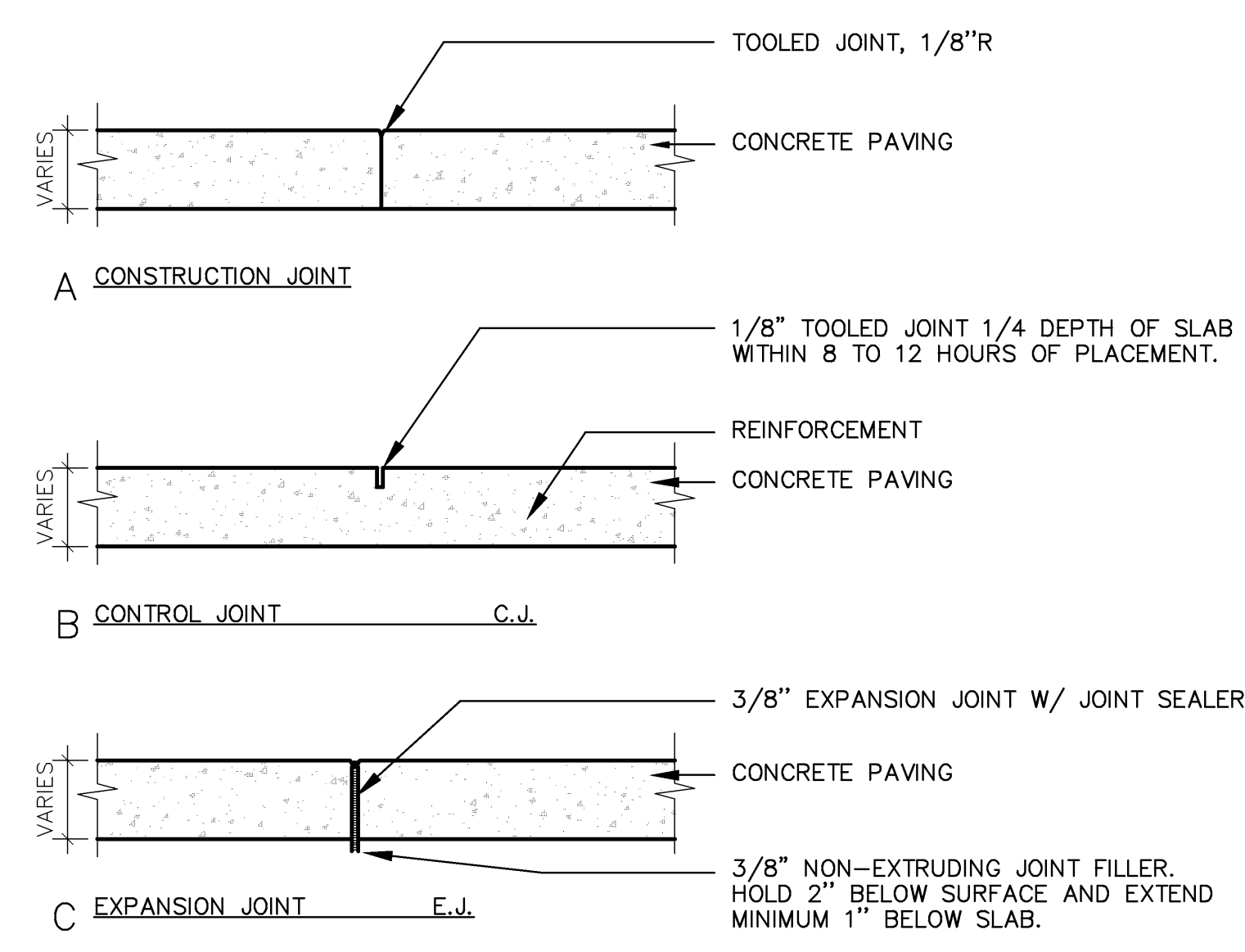


STATE	PROJECT NO.	YEAR	SHEET NO.	TOTAL SHEETS
KANSAS	472-84295	2010	34	194



1 4" PLAIN CONCRETE SIDEWALK

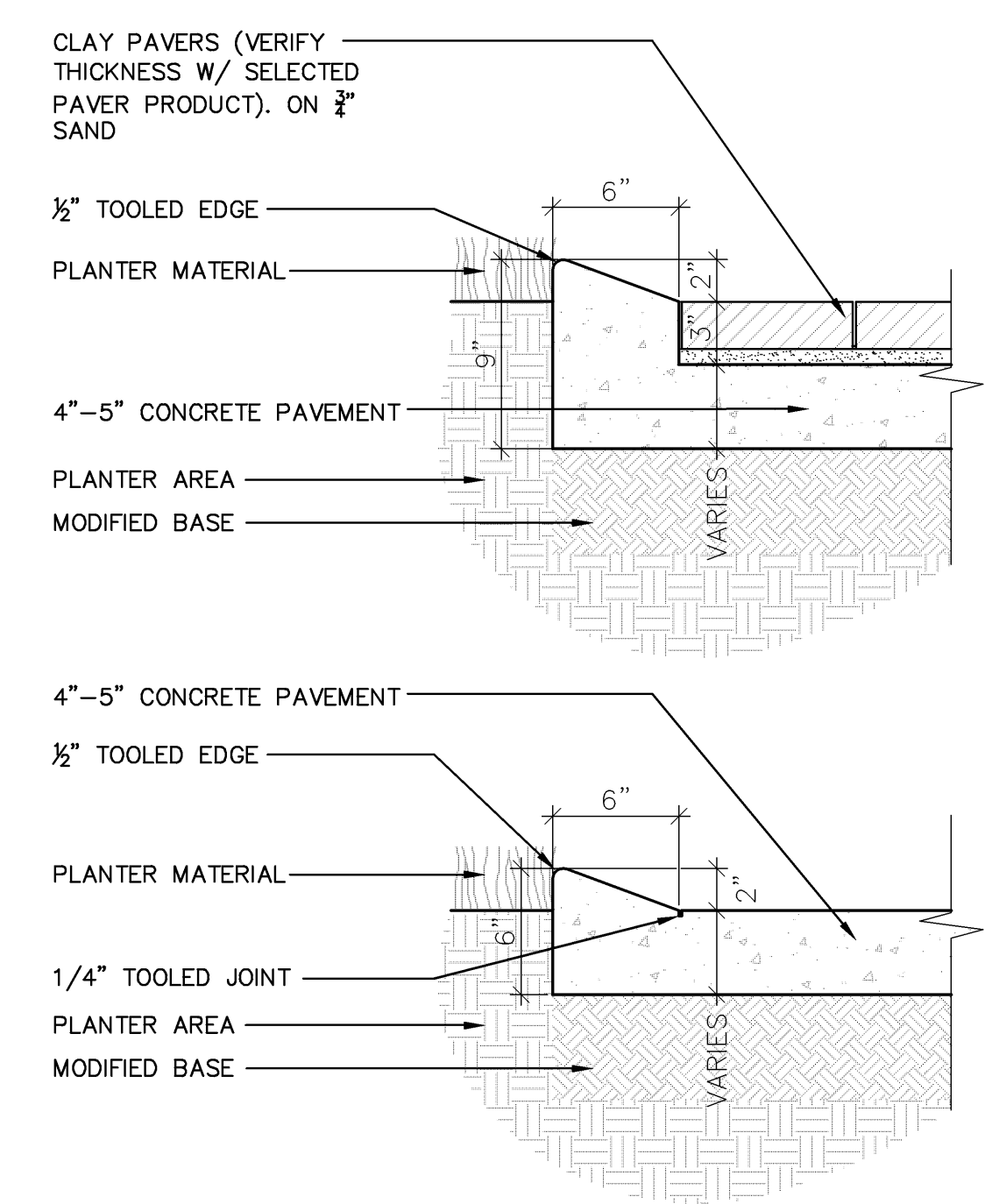
1" = 1'-0"



2 CONCRETE JOINTS

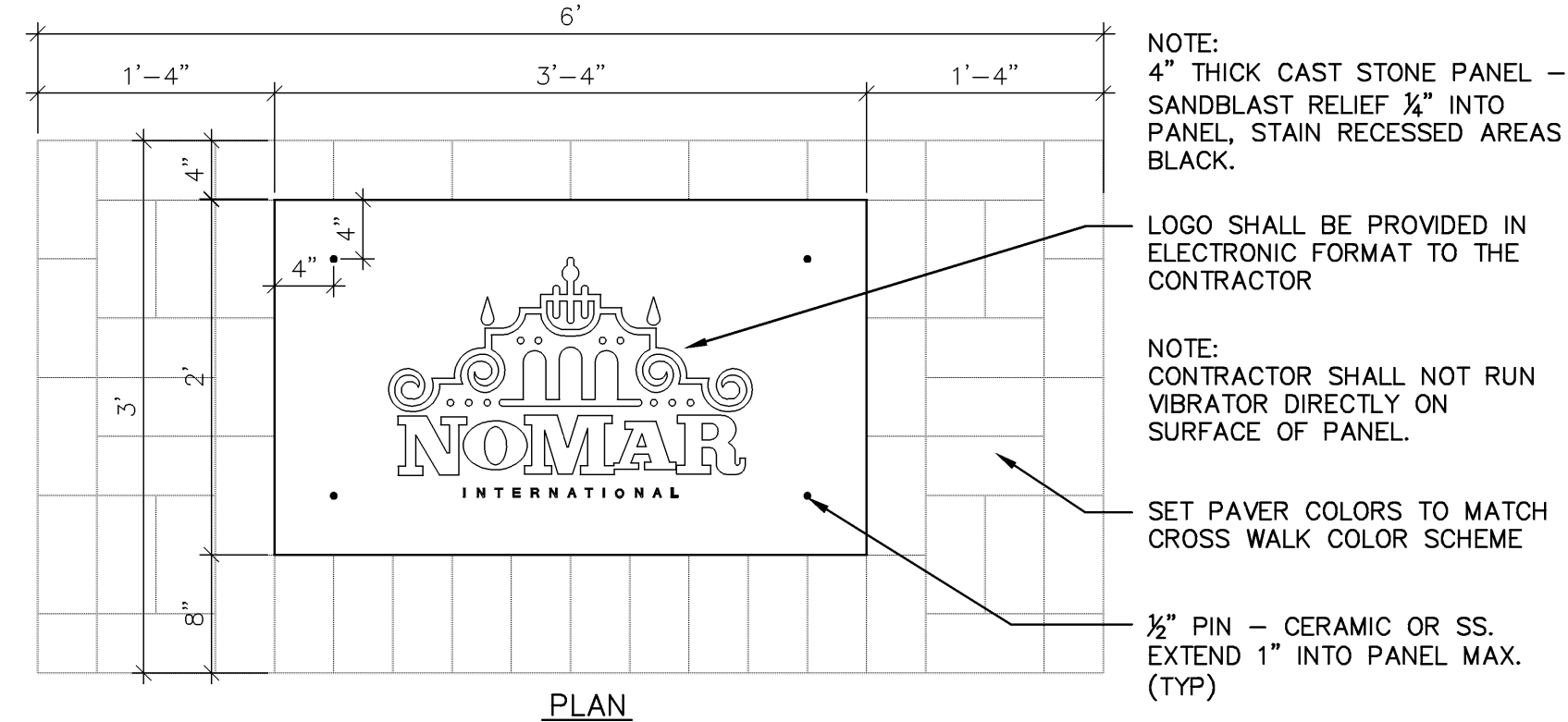
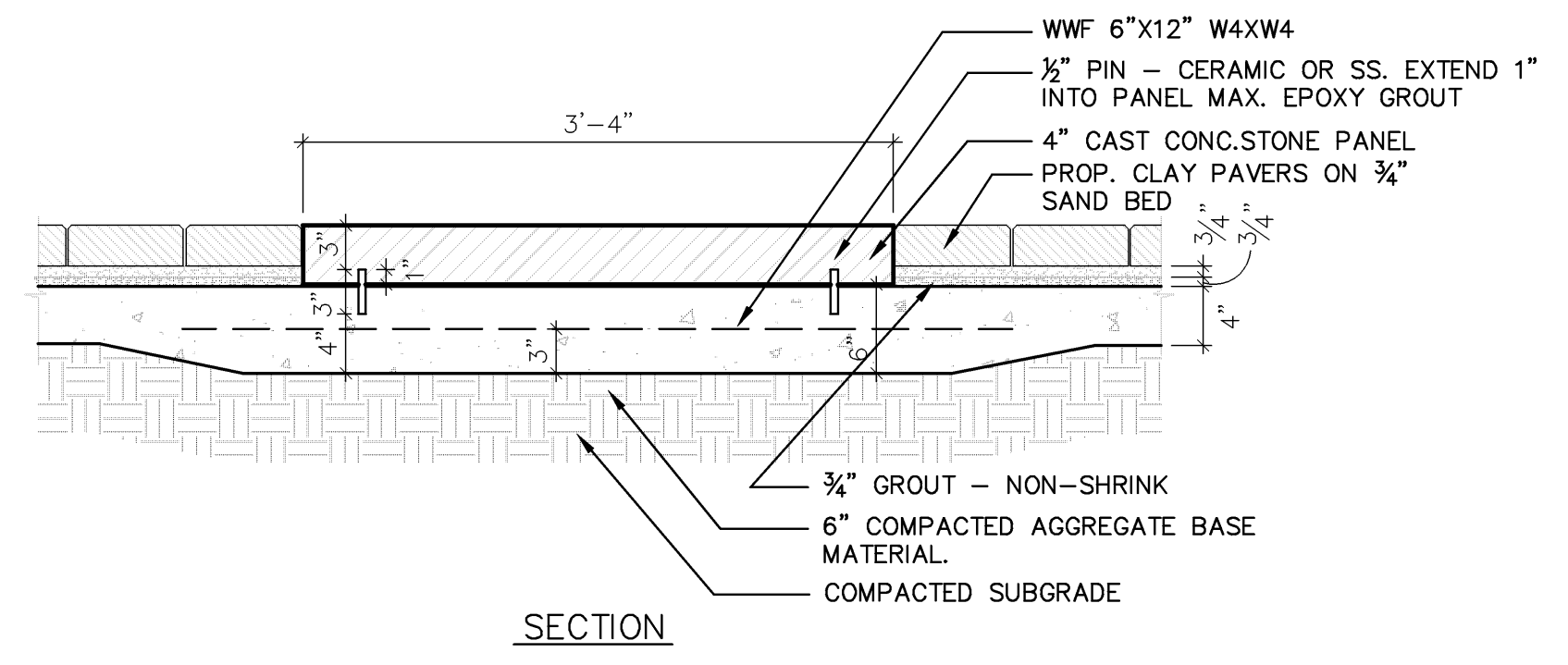
1" = 1'-0"

- NOTE:
- 1/2" EXPANSION JOINT FOR CONCRETE WALK SHALL BE "SONOLASTIC EXPANSION JOINT FILLER" (COLOR=GREAY); SONNEBORN, CHEMREX INC. OR APPROVED EQUIVALENT
 - SEALANT SHALL BE MULTI-PART POURABLE URETHANE SEALANT: "POURTHANE"; W.R. MEADOWS, INC. OR APPROVED EQUIVALENT.
 - ALL LABOR AND MATERIALS FOR EXPANSION AND CONTRACTION JOINTS SHALL BE SUBSIDIARY TO CONCRETE SIDEWALK.



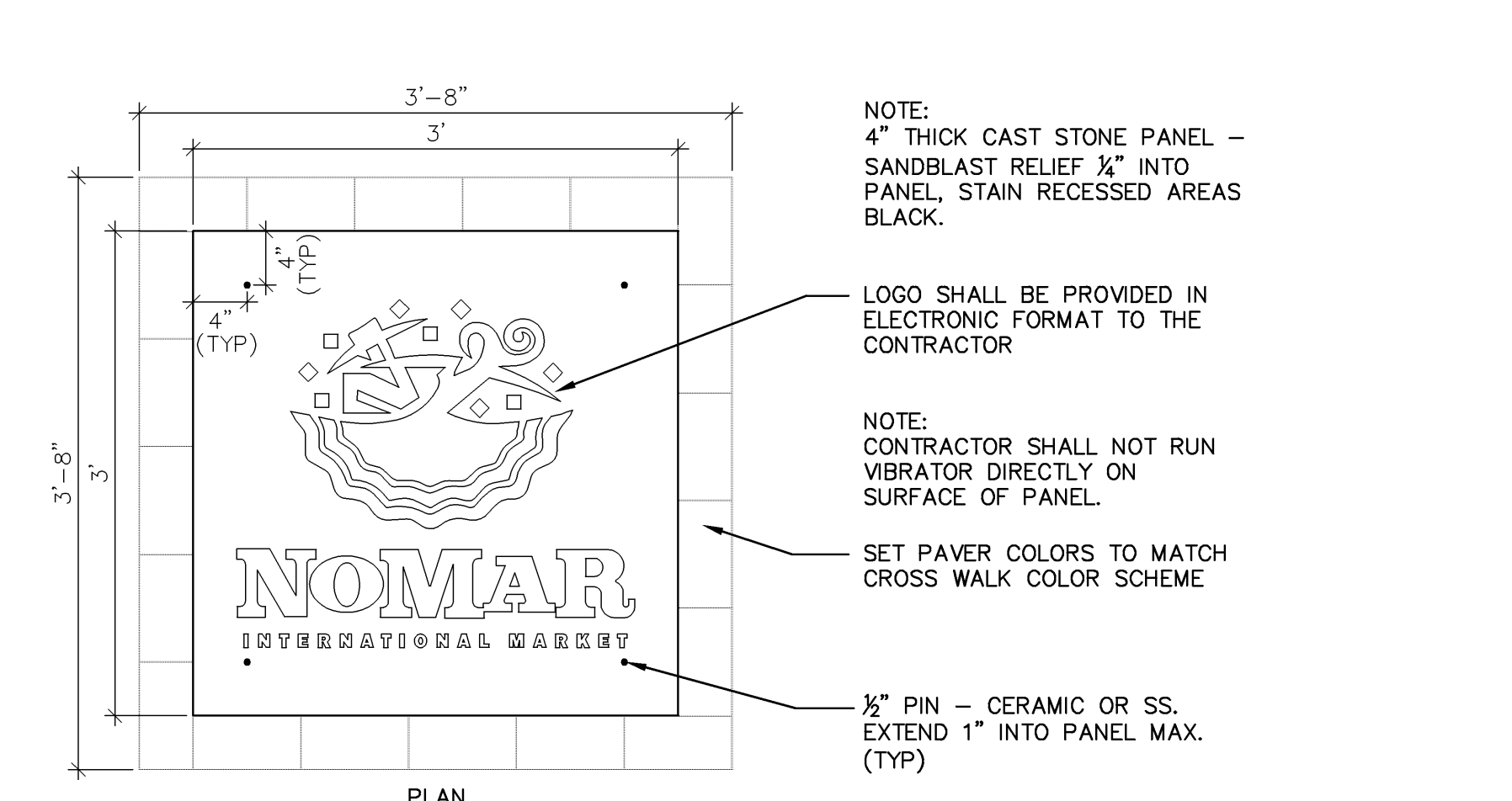
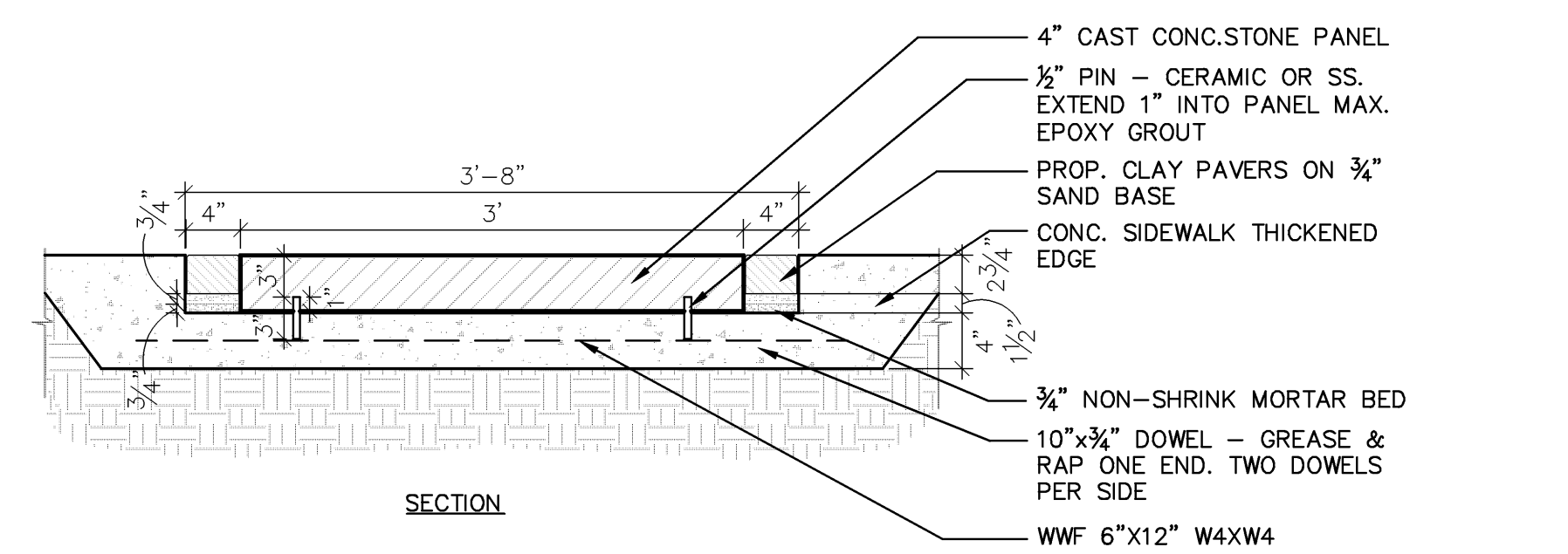
3 2" INTEGRAL CONCRETE CURB DETAIL

1 1/2" = 1'-0"



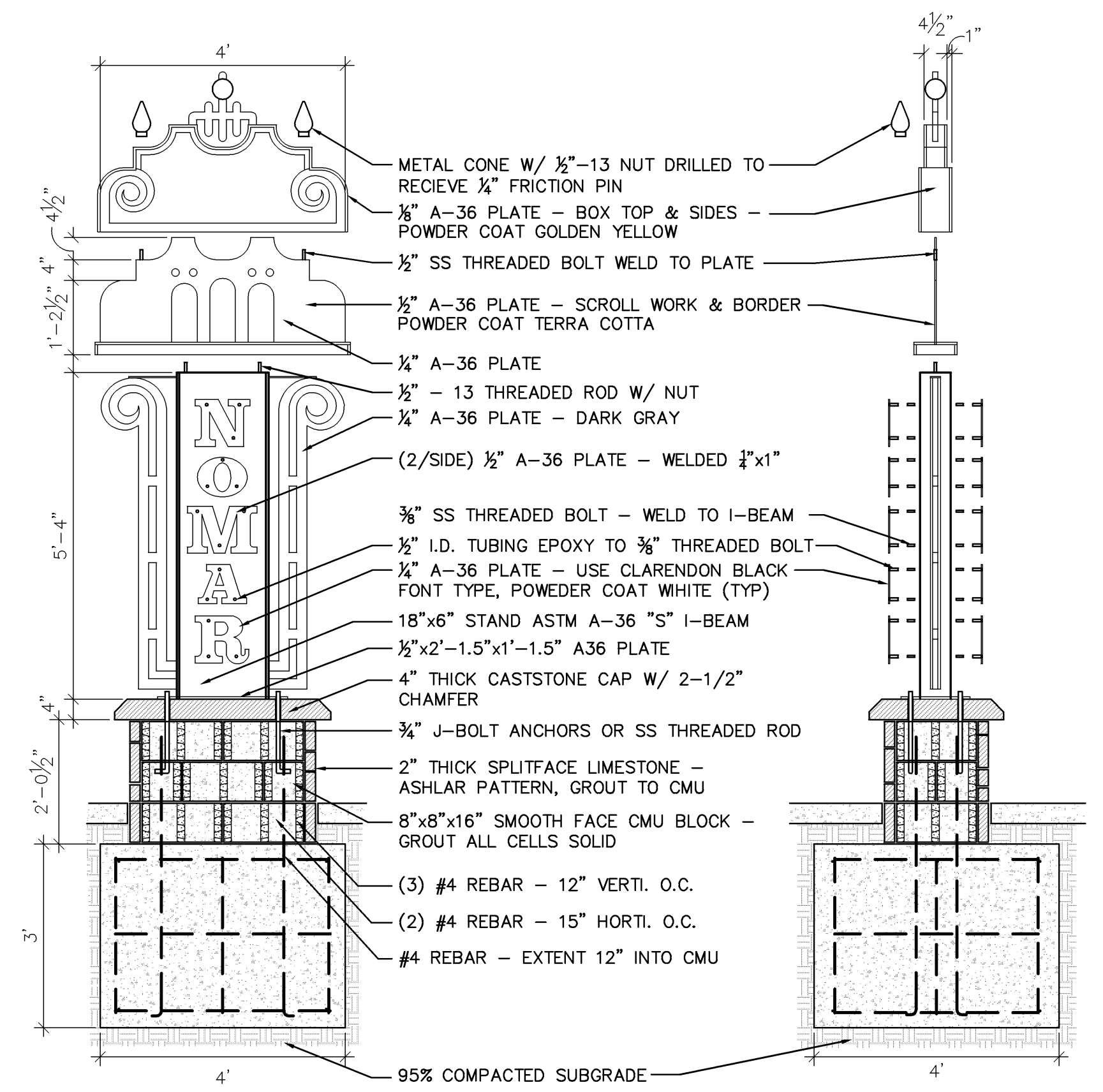
4 PRIMARY CAST STONE PANEL

1" = 1'-0"



5 SECONDARY CAST STONE PANEL

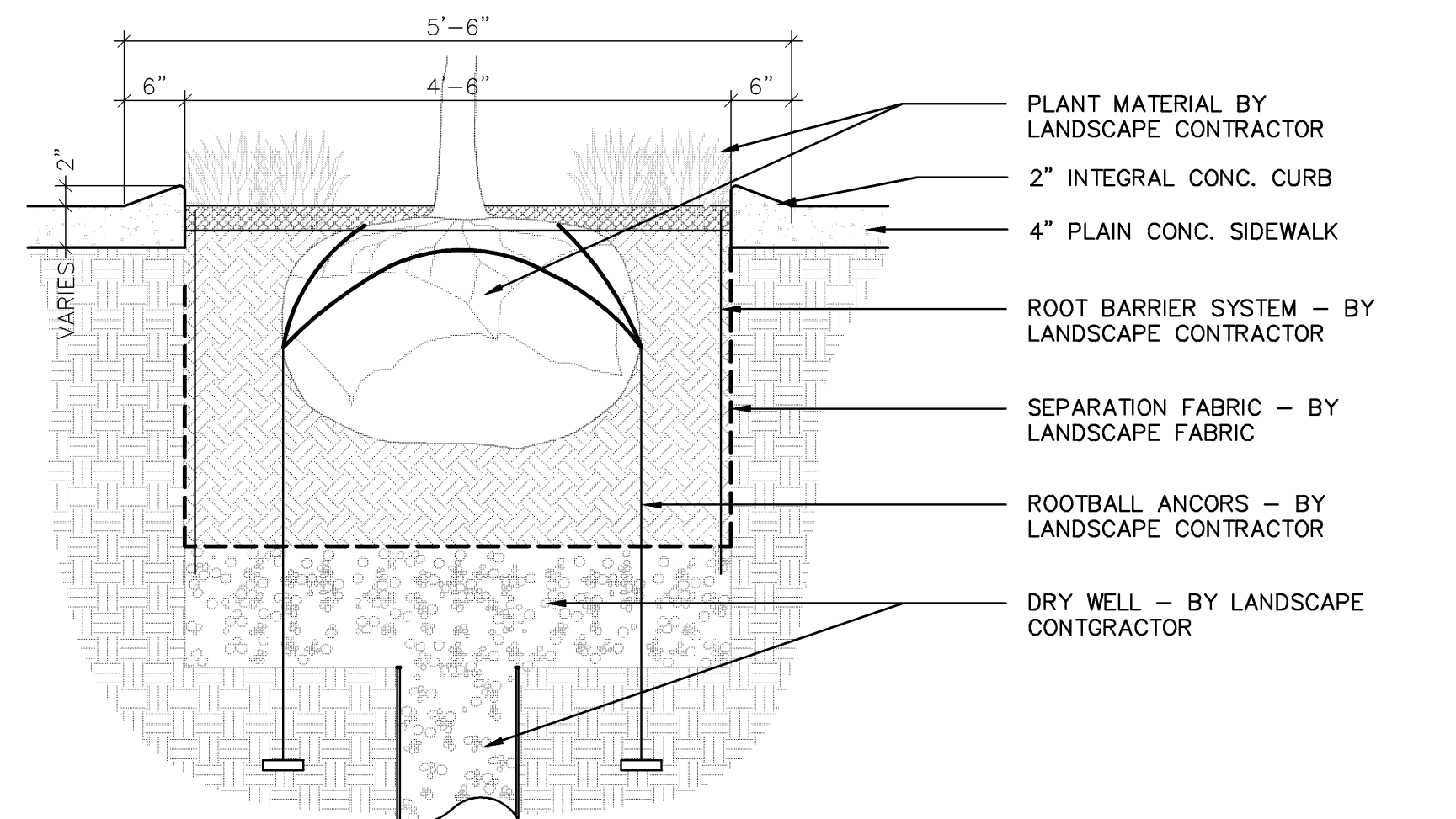
1" = 1'-0"



6 DISTRICT MONUMENT SIGN


1/2" = 1'-0"

- NOTE:
- PROVIDE SHOP DRAWINGS TO ARCHITECT & OWNER FOR APPROVAL BEFORE FABRICATION.
 - INCLUDE COLOR CHART OF AVAILABLE POWDER COATINGS.
 - ENTIRE MONUMENT SIGN TO HAVE ANTI-GRAFFITTIANT SEALER APPLIED
 - PROFESSIONAL WATER SEALANT & ANTI-GRAFFITTI SYSTEM (OR APPROVED EQUIVALENT)
 - PROFESSIONAL PRODUCTS OF KANSAS, INC. 4456 S. CLIFTON, WICHITA KS 67216 1-800-676-7346



7 TREE WELL PLANTER

3/4" = 1'-0"



LAW/KINGDON, INC.
ARCHITECTS, ENGINEERS, PLANNERS & LANDSCAPE ARCHITECTS

CITY OF WICHITA
21ST STREET NORTH &
BROADWAY AVENUE INTERSECTION

SITE DETAILS

WICHITA, KANSAS

DATE: _____


PROJECT NO. 472-84295

DESIGNED: J.A.B./W.A.W.

CHECKED: J.A.B.

DRAWN: W.A.W.

DATE: 01-11-2010



DATE	
BY	
REFERENCES NOTED	
REFERENCES CHECKED	