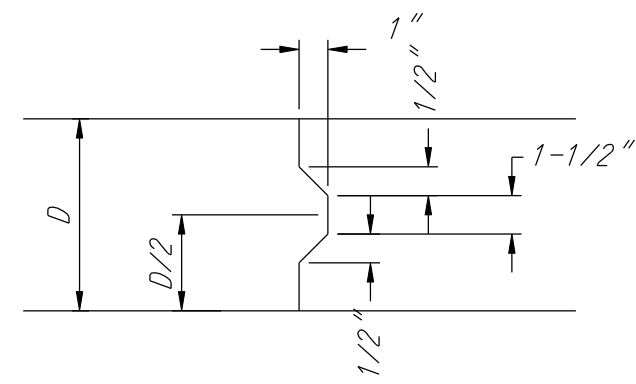
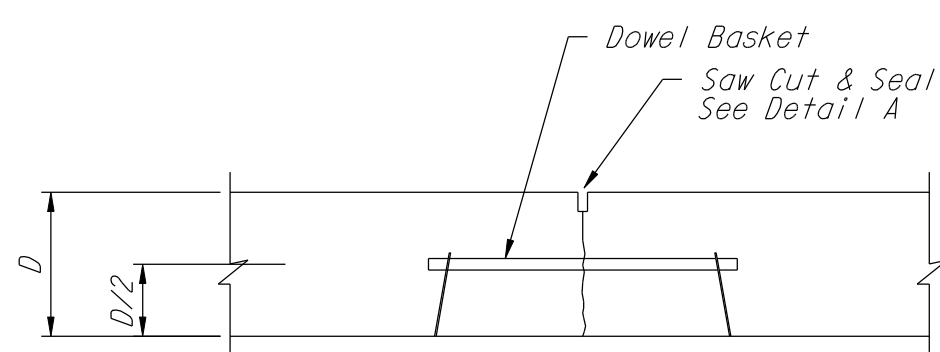


EXPANSION JOINT

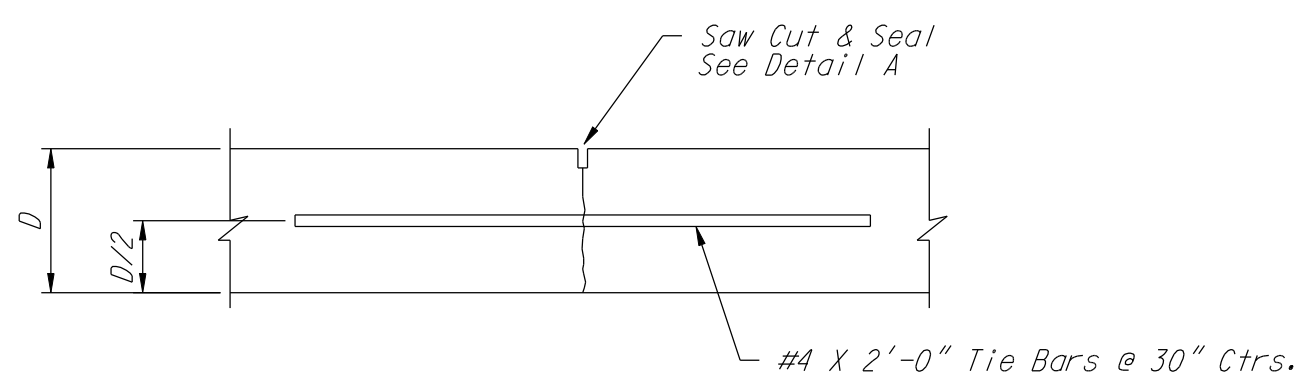
NOTE: Extra Thickness to be Subsidiary to Price of Square Yards Pavement



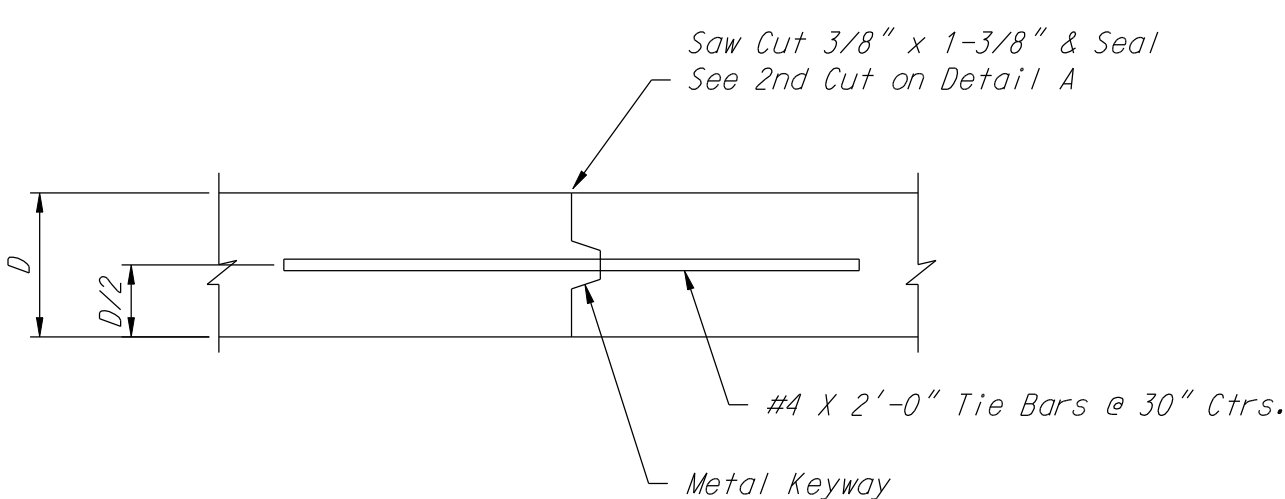
KEYWAY DETAIL



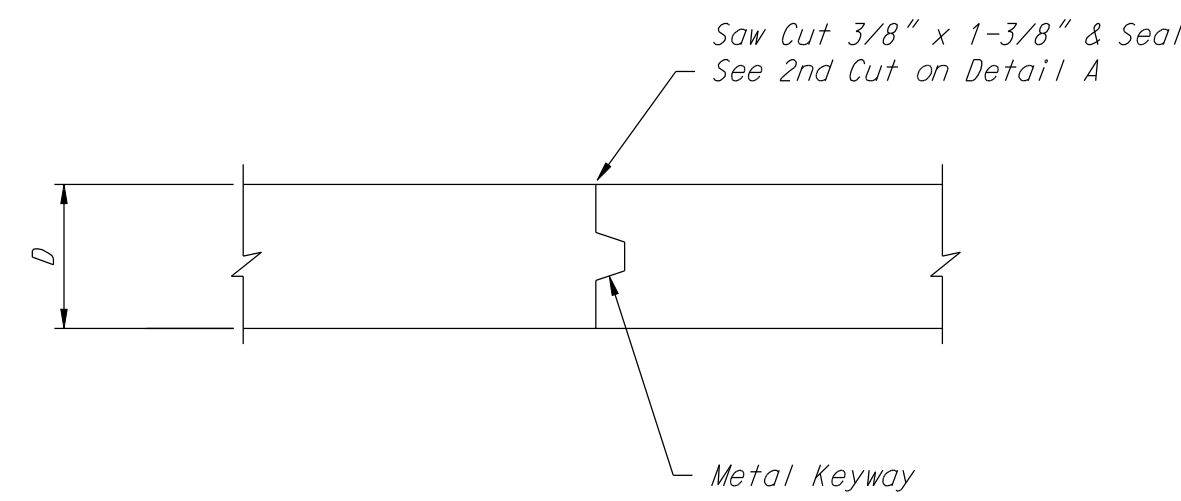
CONTRACTION JOINT DETAIL (C.J.)



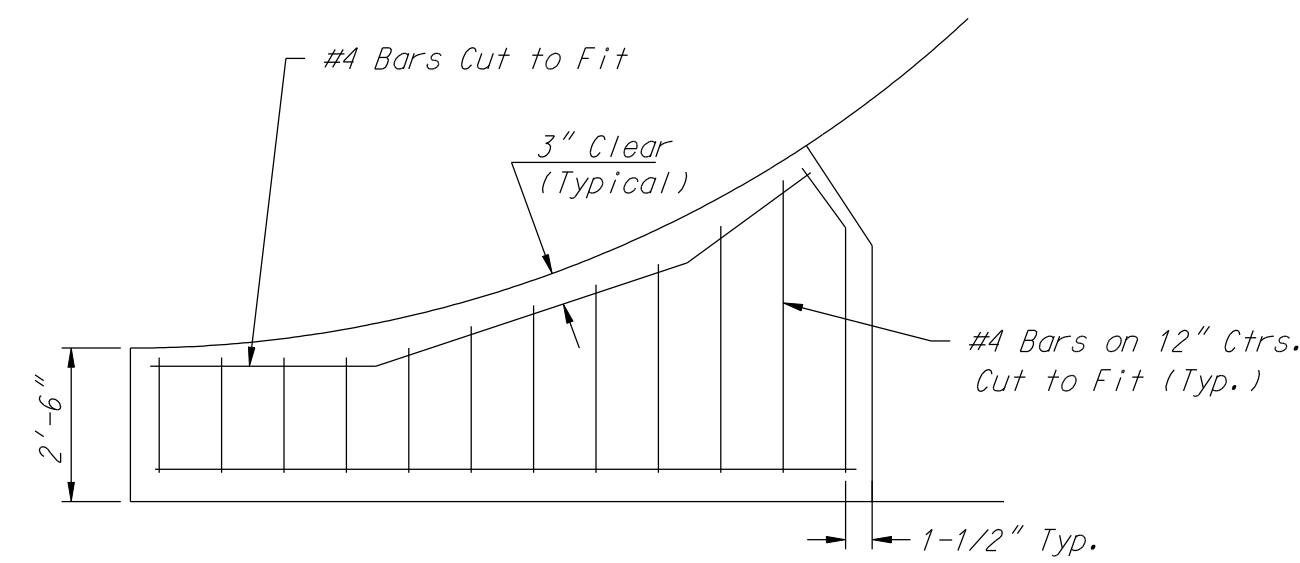
LONGITUDINAL JOINT DETAIL (L.J.)



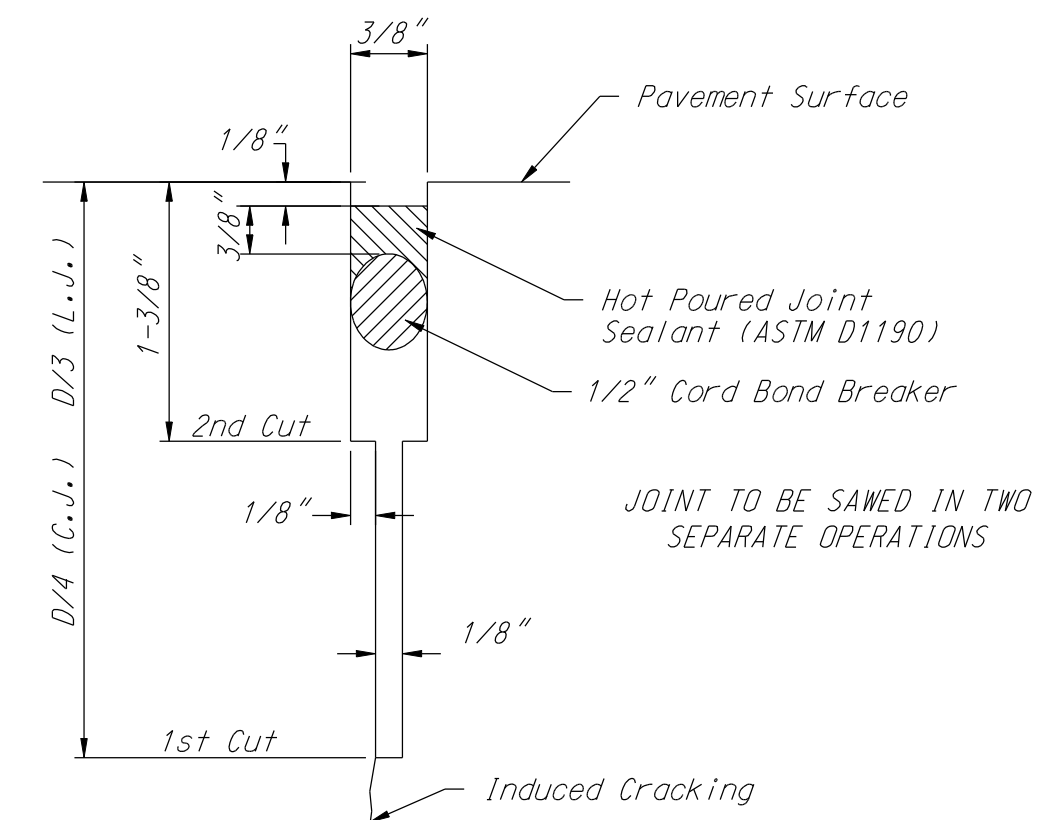
OPTIONAL LONGITUDINAL JOINT DETAIL (L.J.)



OPTIONAL CONTRACTION JOINT

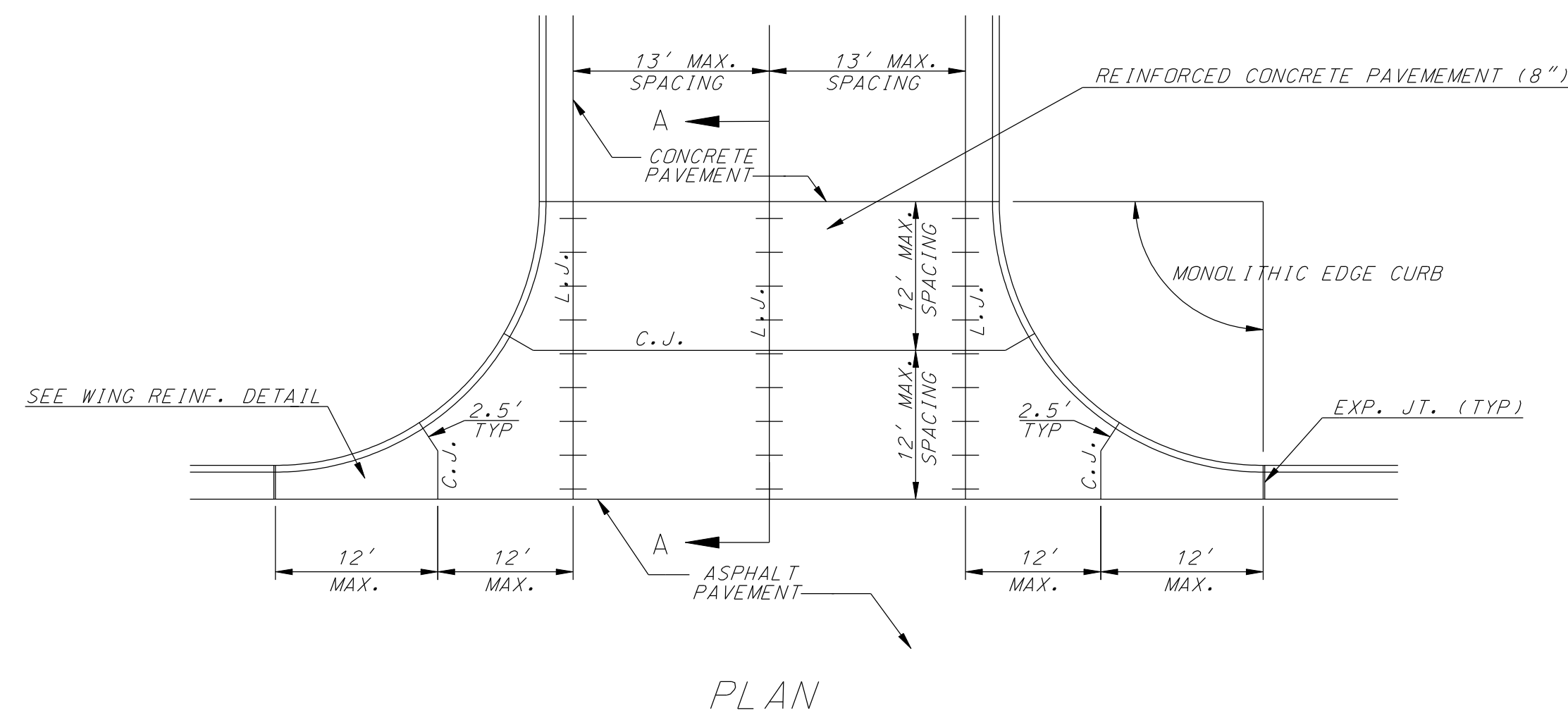


WING REINFORCING DETAIL

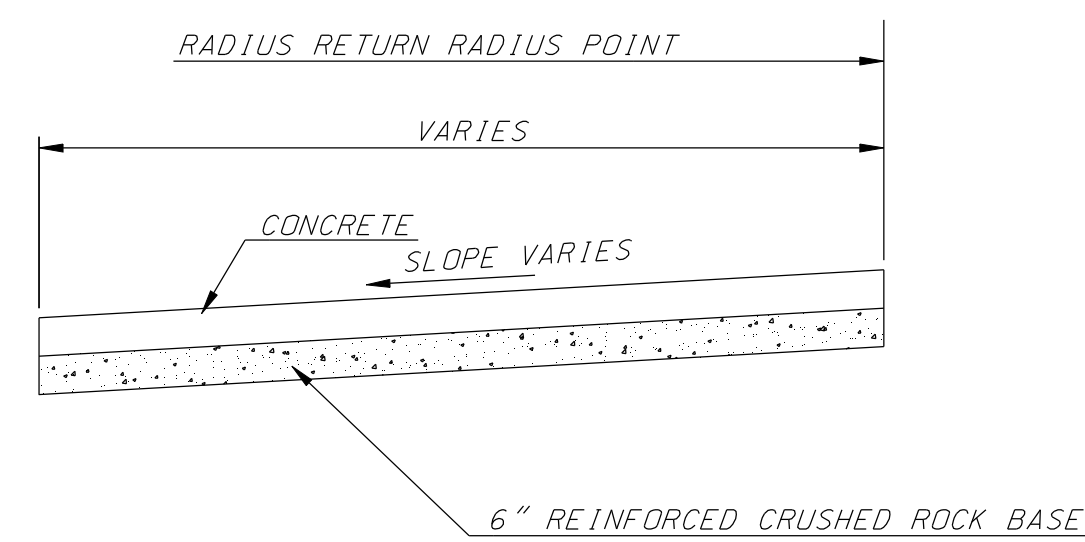


SAW JOINT DETAIL

NOTE:
1. CONTRACTION JOINTS WILL HAVE DOWEL BASKETS.



REINFORCED CONCRETE PAVEMENT (8") DETAIL



SECTION A-A

FILES\$

<p>THE CITY OF WICHITA</p> <p>CITY ENGINEER'S OFFICE CITY HALL - SEVENTH FLOOR 455 NORTH MAIN STREET WICHITA, KANSAS 67202 (316) 268-4501 (316) 268-4114 FAX</p>	REINFORCED CONCRETE PAVEMENT DETAIL	
	JAMES L. ARMOUR, P.E. - CITY ENGINEER	
	PROJECT NUMBER 472-84295	INDEX CODE XXXXXX
	DATE MAR 96	69