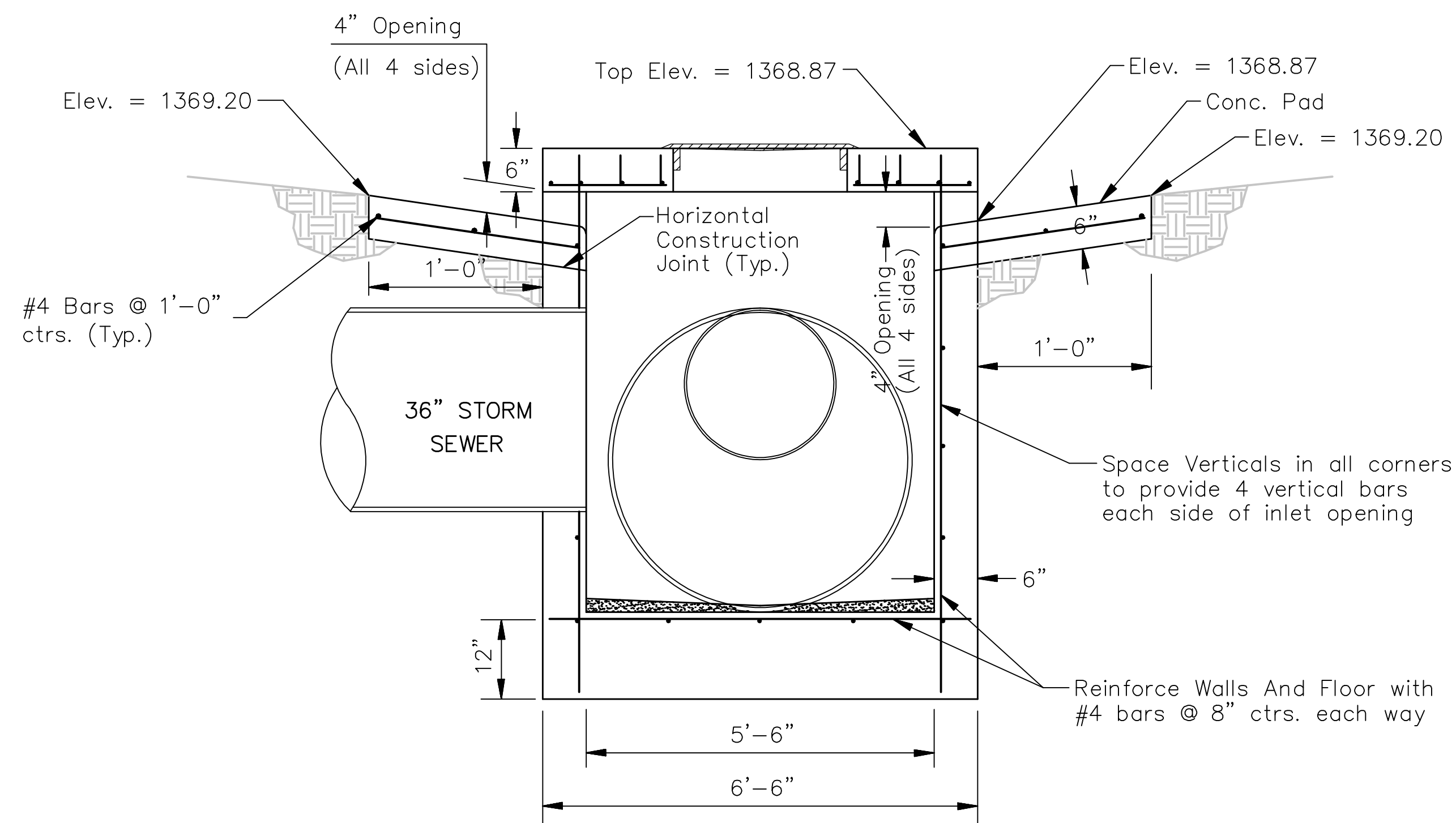


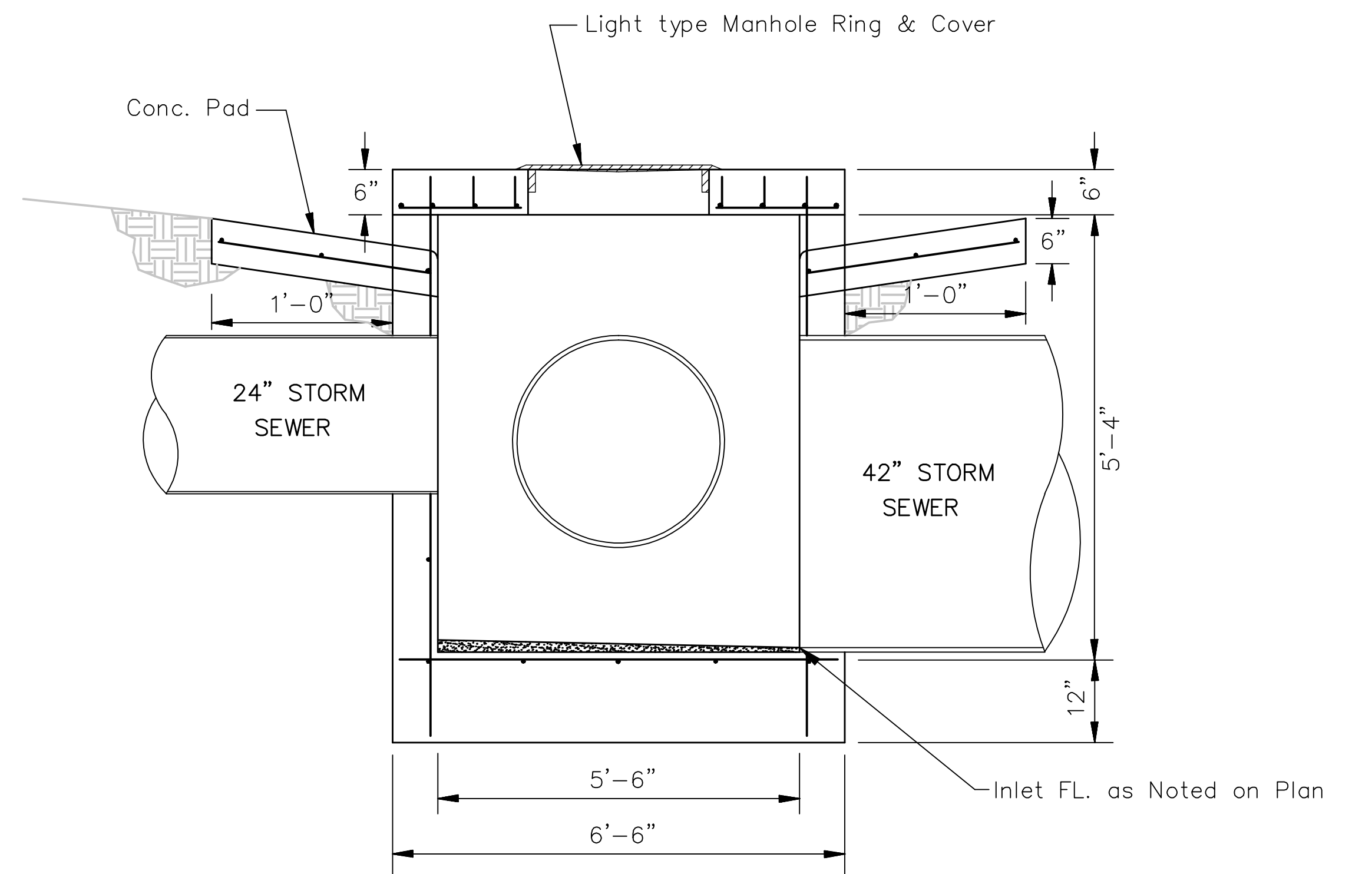
PLAN VIEW



SECTION "A-A"

Provide 3" Radius Curves at All Inlet Openings

NOT TO SCALE



SECTION "B-B"

		<b>NORTH GREENWICH ADDITION</b> <b>Special Drop</b> <b>Inlet Detail</b> City of Wichita	
<small>Baughman Company, P.A. 315 18th St. Wichita, KS 67211 P 316-263-2721 F 316-263-0149          ENGINEERING   SURVEYING   PLANNING   LANDSCAPE ARCHITECTURE</small>			
PROJECT NUMBER <b>468-0492</b>	DESIGN C.O.W.	DRAWN STAFF	DATE 1/18/10
REVISIONS:	APPROVED	SCALE NONE	SHEET <b>4 OF 8</b>