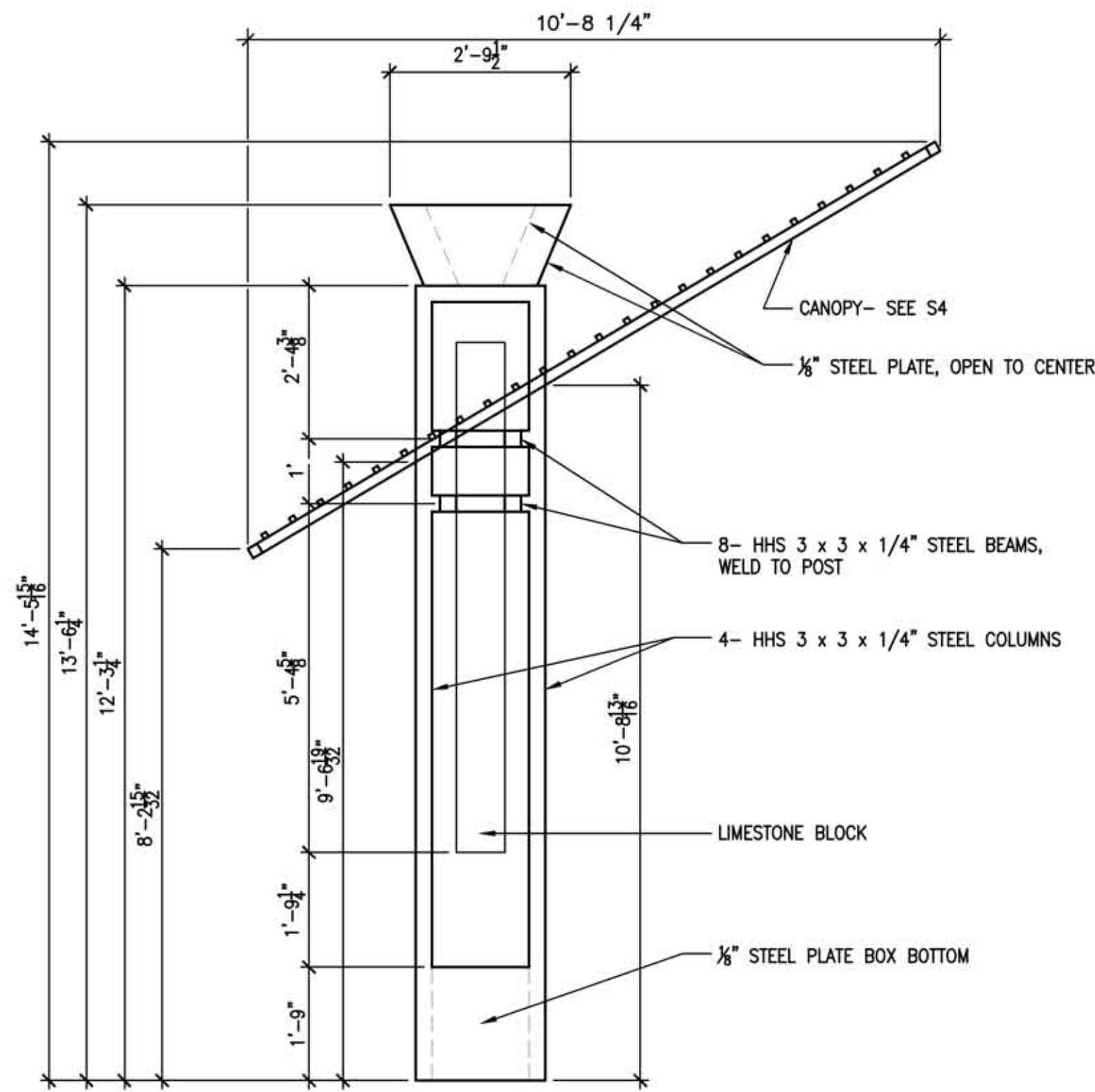
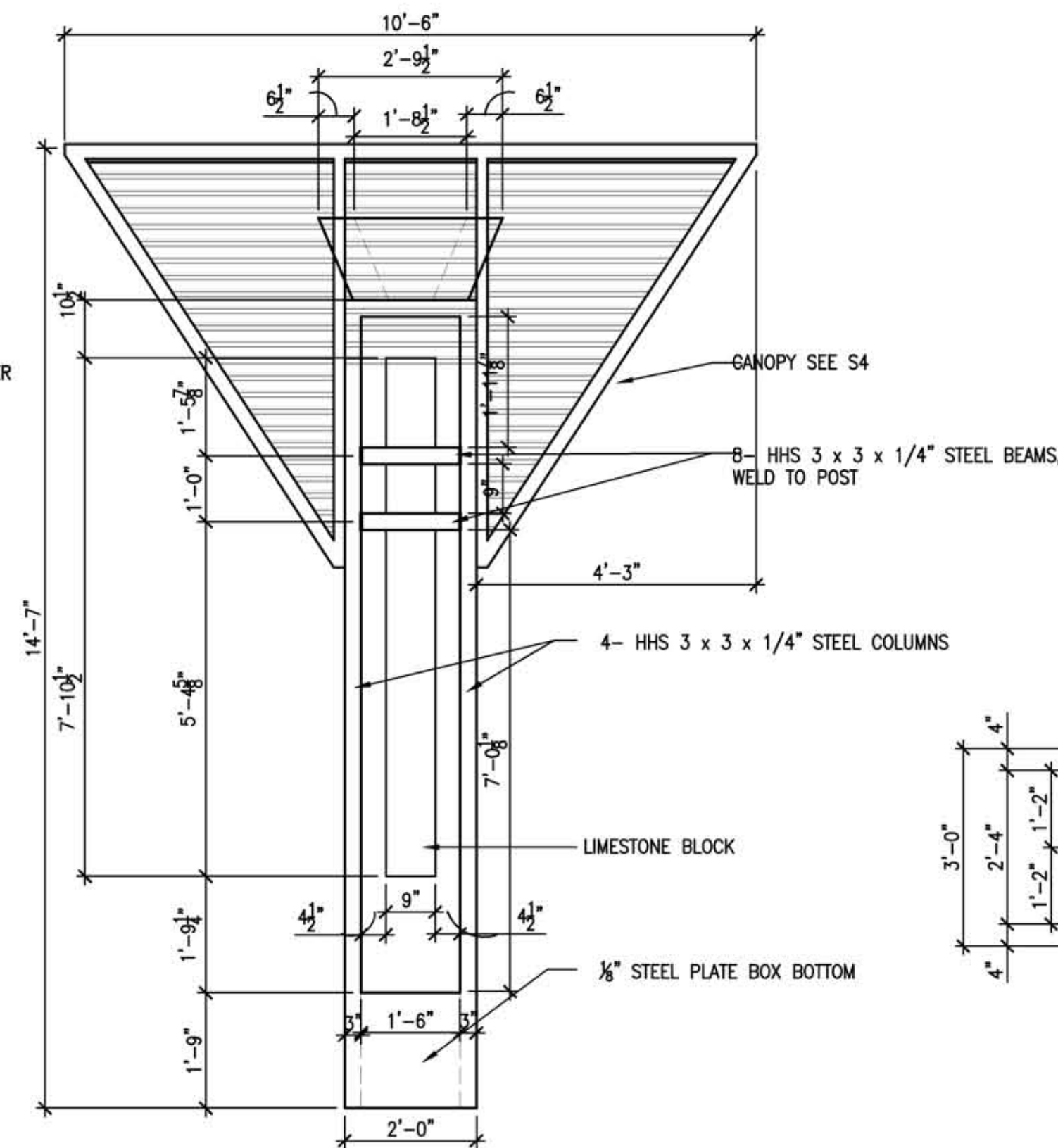


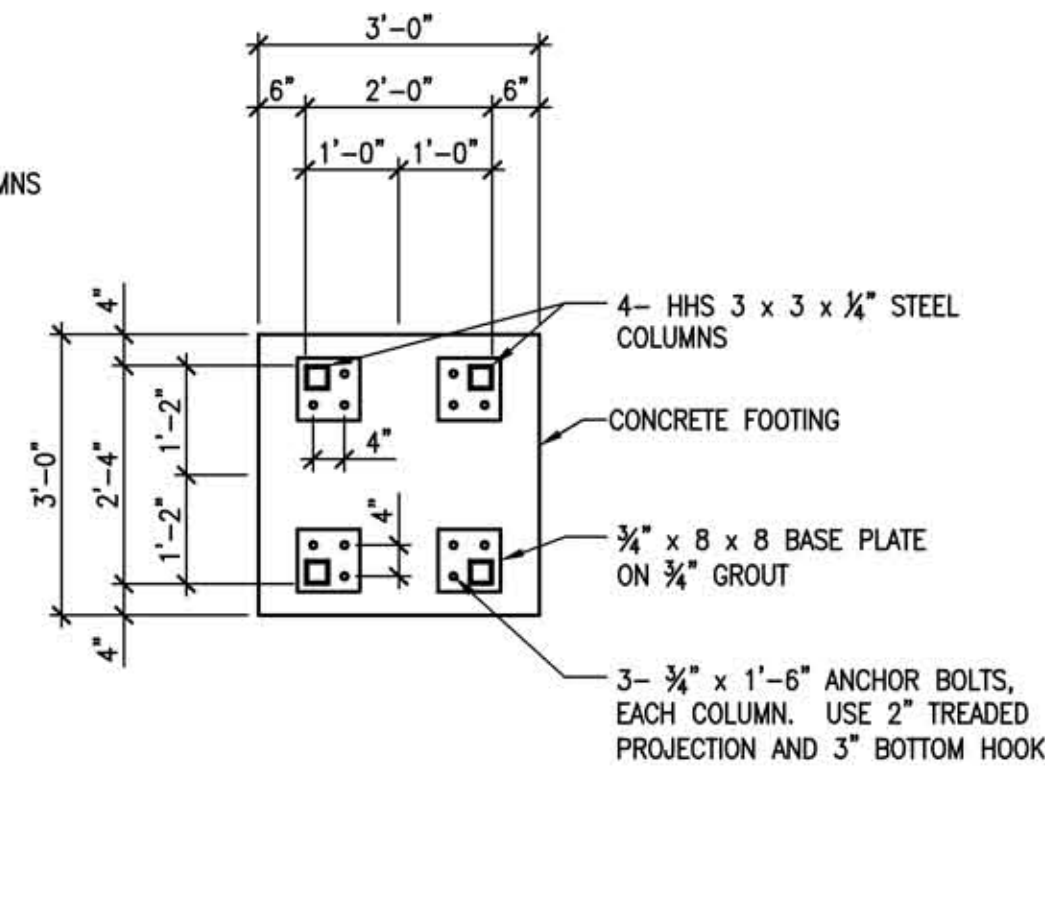
| DATE | PURPOSE | NO. |
|----------|--------------|-----|
| 10.05.09 | FIELD CHECK | |
| 11.12.09 | OFFICE CHECK | |
| 02.01.10 | FINAL PLANS | |



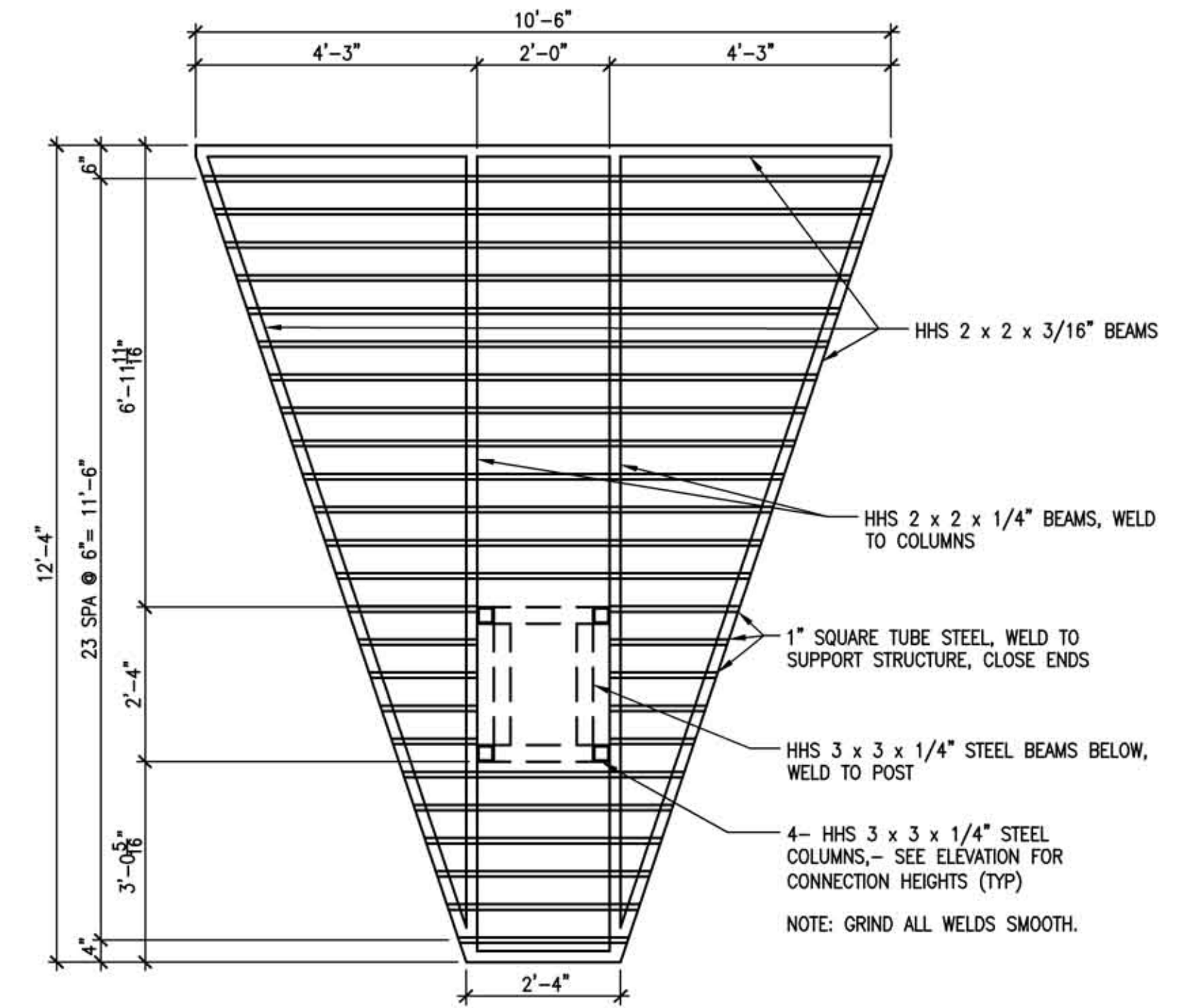
S1 SHADE TOWER STRUCTURE SIDE ELEVATION
ADD ALTERNATE #1



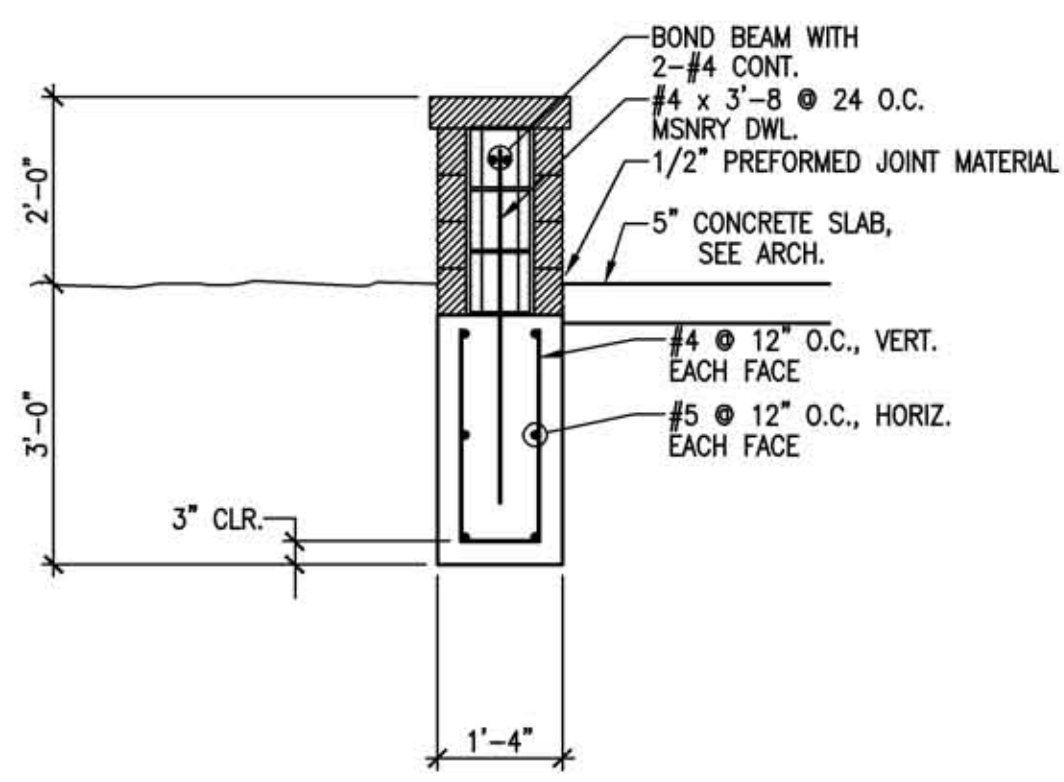
S2 SHADE TOWER STRUCTURE FRONT VIEW
ADD ALTERNATE #1



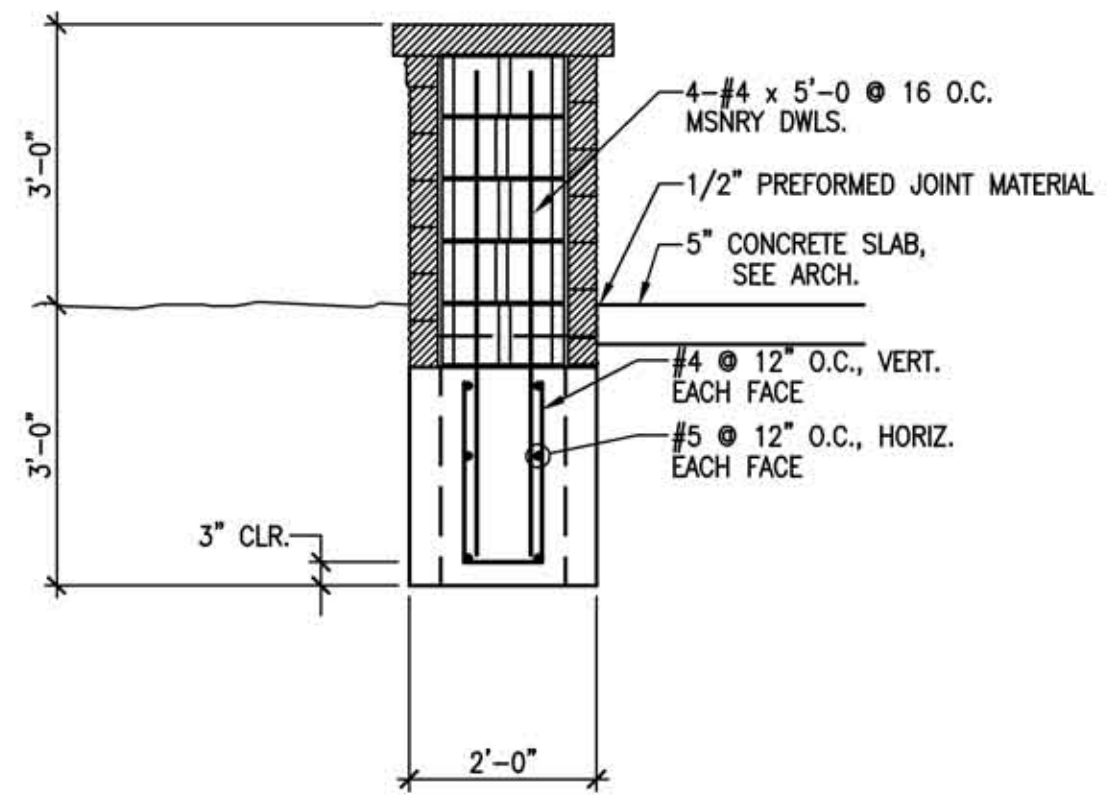
S3 SHADE TOWER STRUCTURE FOOTING PLAN
ADD ALTERNATE #1



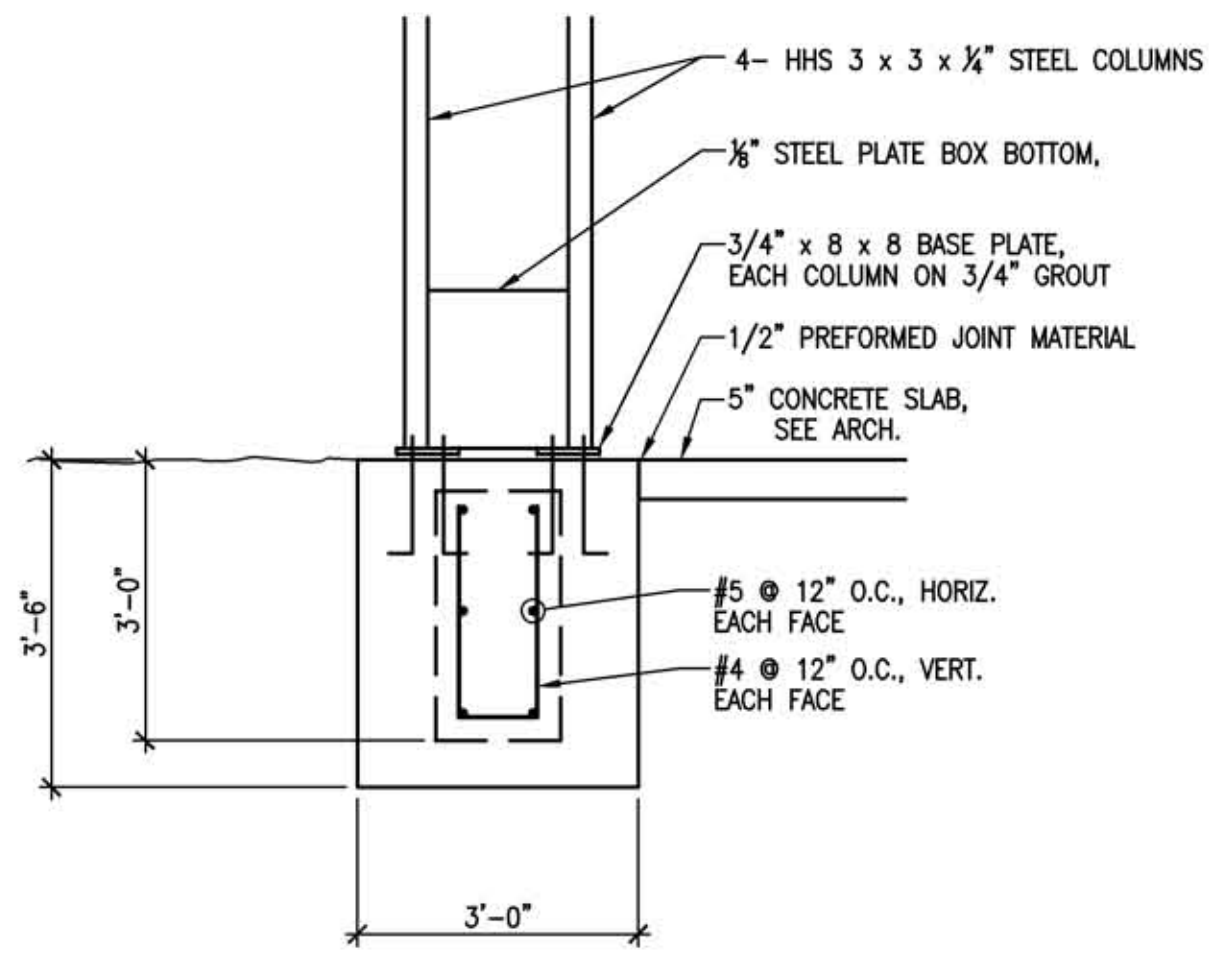
S4 SHADE TOWER STRUCTURE CANOPY PLAN
ADD ALTERNATE #1



S5 SEATWALL E SECTION



S6 COLUMN WALL E SECTION



S7 SHADE STRUCTURE FOOTING DETAIL
ADD ALTERNATE #1

RIVER CORRIDOR
IMPROVEMENTS PHASE 1C:
WICHITA, KS

LawKingtonArchitecture
Engineering · Planning · Interiors · Landscapes

LawKingtonArchitecture
345 RIVERVIEW, WICHITA, KS 67203
Phone (316) 268-0230 Fax (316) 268-0205

CONTACT: JAMES URBAN, PE
PROJECT NUMBER:
08386

SHEET TITLE:
SHADE STRUCTURES

SHEET NUMBER:
S2.3

WILSON
& COMPANY
ENGINEERS & ARCHITECTS