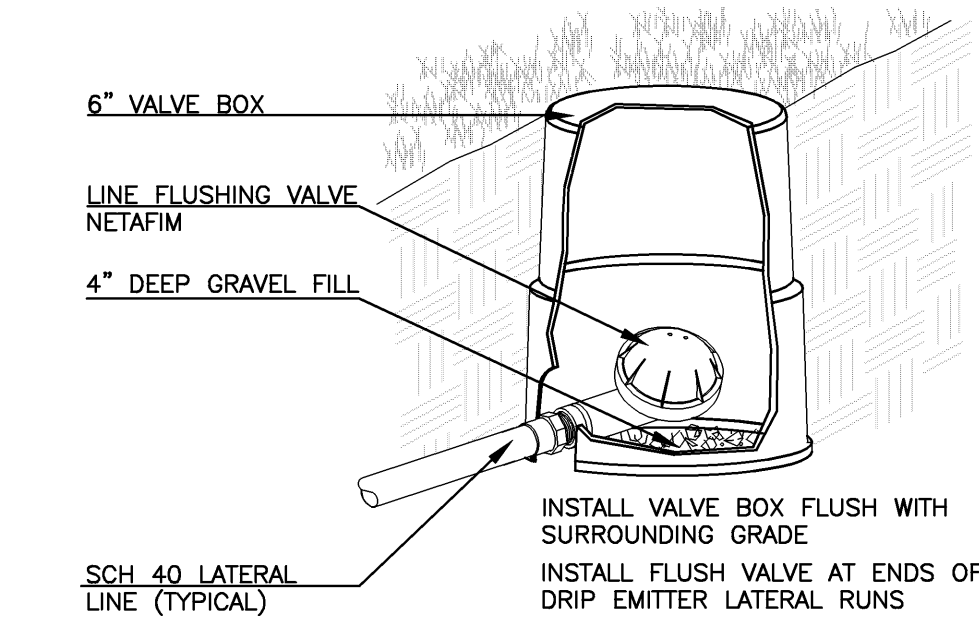
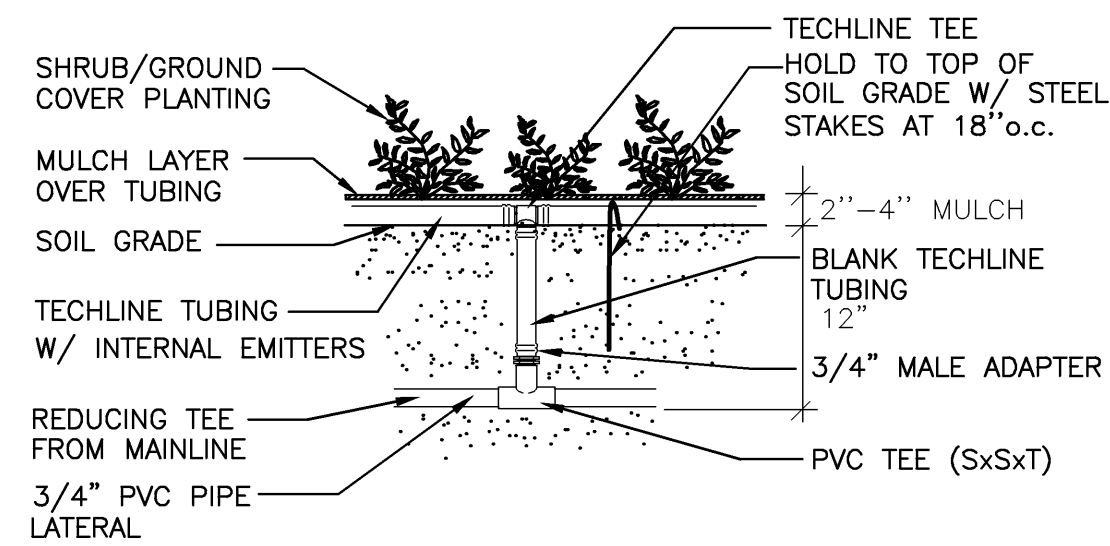


1 TYP. DRIP LINE END FEED LAYOUT NTS

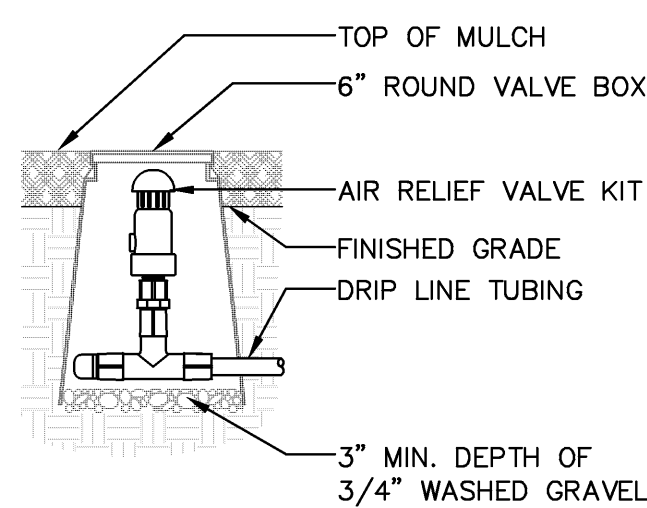


2 LINE FLUSHING VALVE NTS

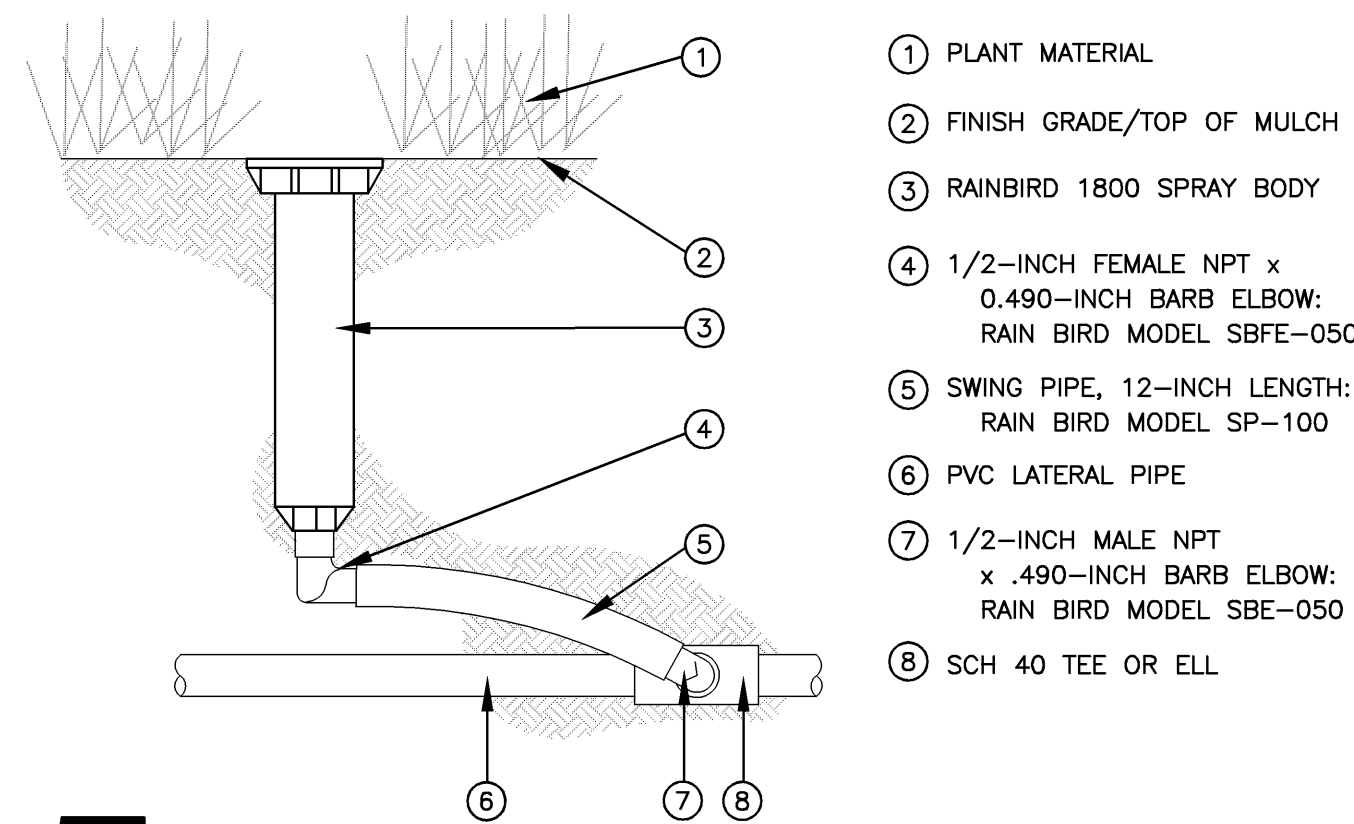


WHERE REQUIRED ADD PRESSURE COMPENSATING EMITTERS TO DRIP TUBING TO IRRIGATE PLANT MATERIALS. DIRECT WATER THROUGH MICRO-TUBING TO BASE OF PLANT.

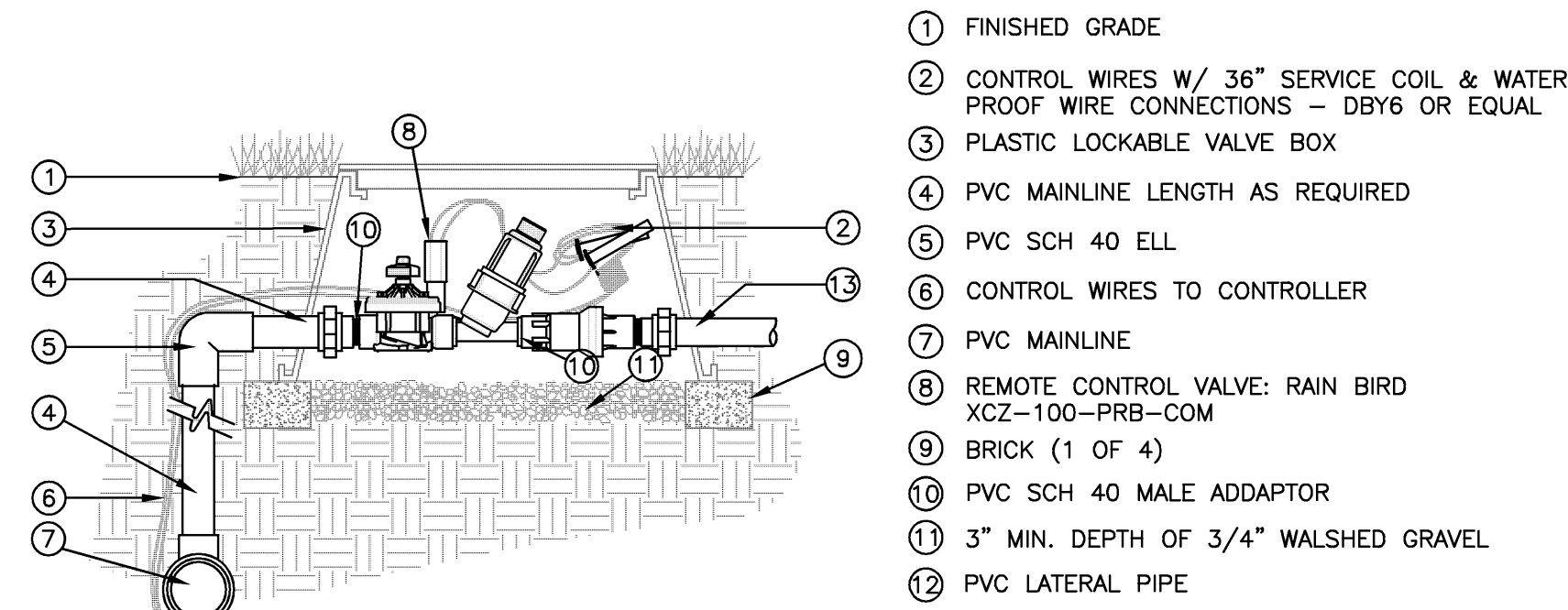
3 DRIP LINE START CONNECTION 1/2"=1'-0"



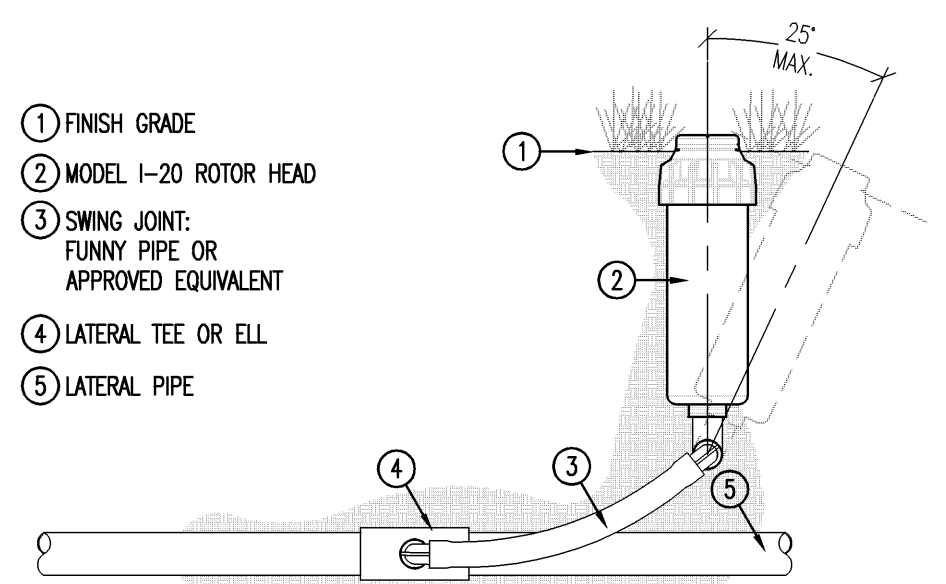
4 AIR RELIEF VALVE 1/2"=1'-0"



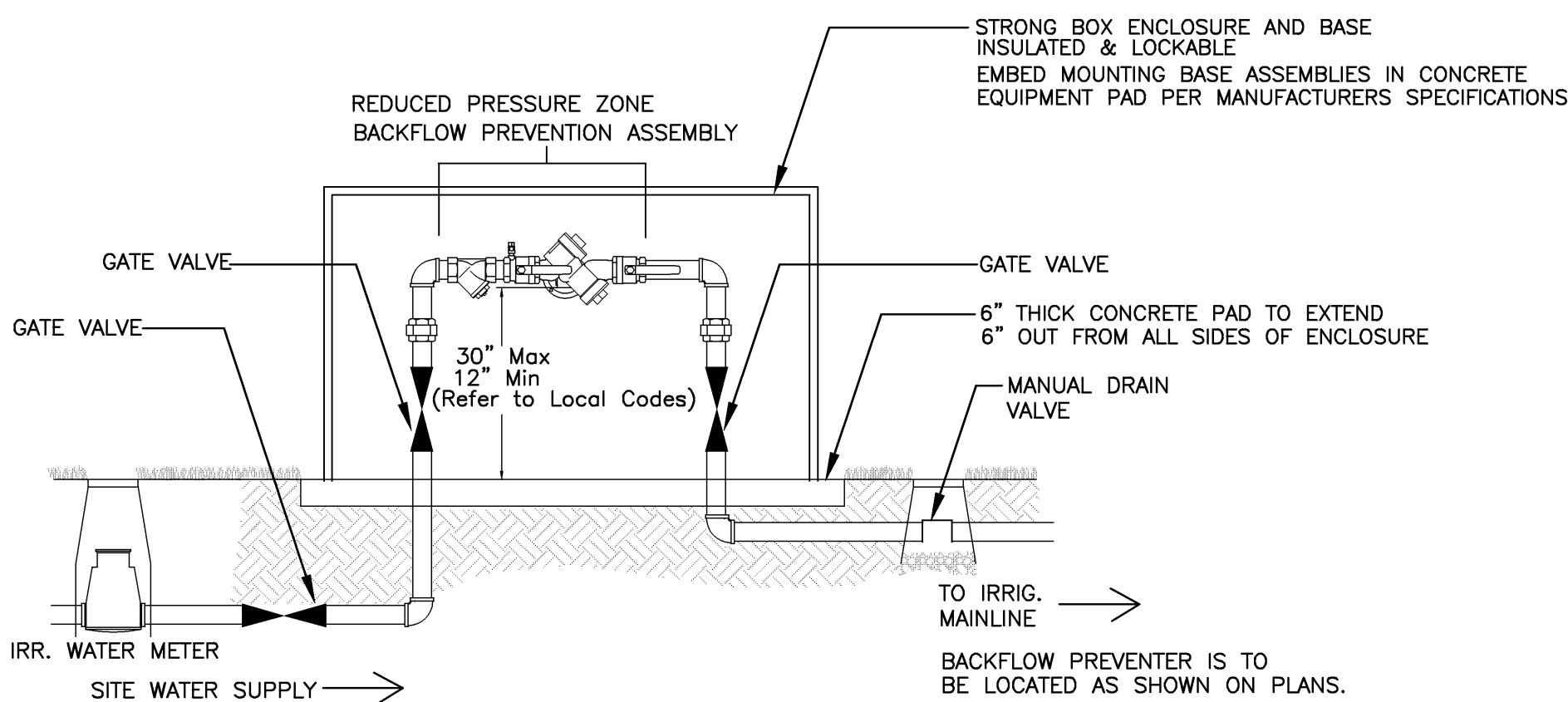
5 RAINBIRD POP-UP SPRAY HEAD NTS



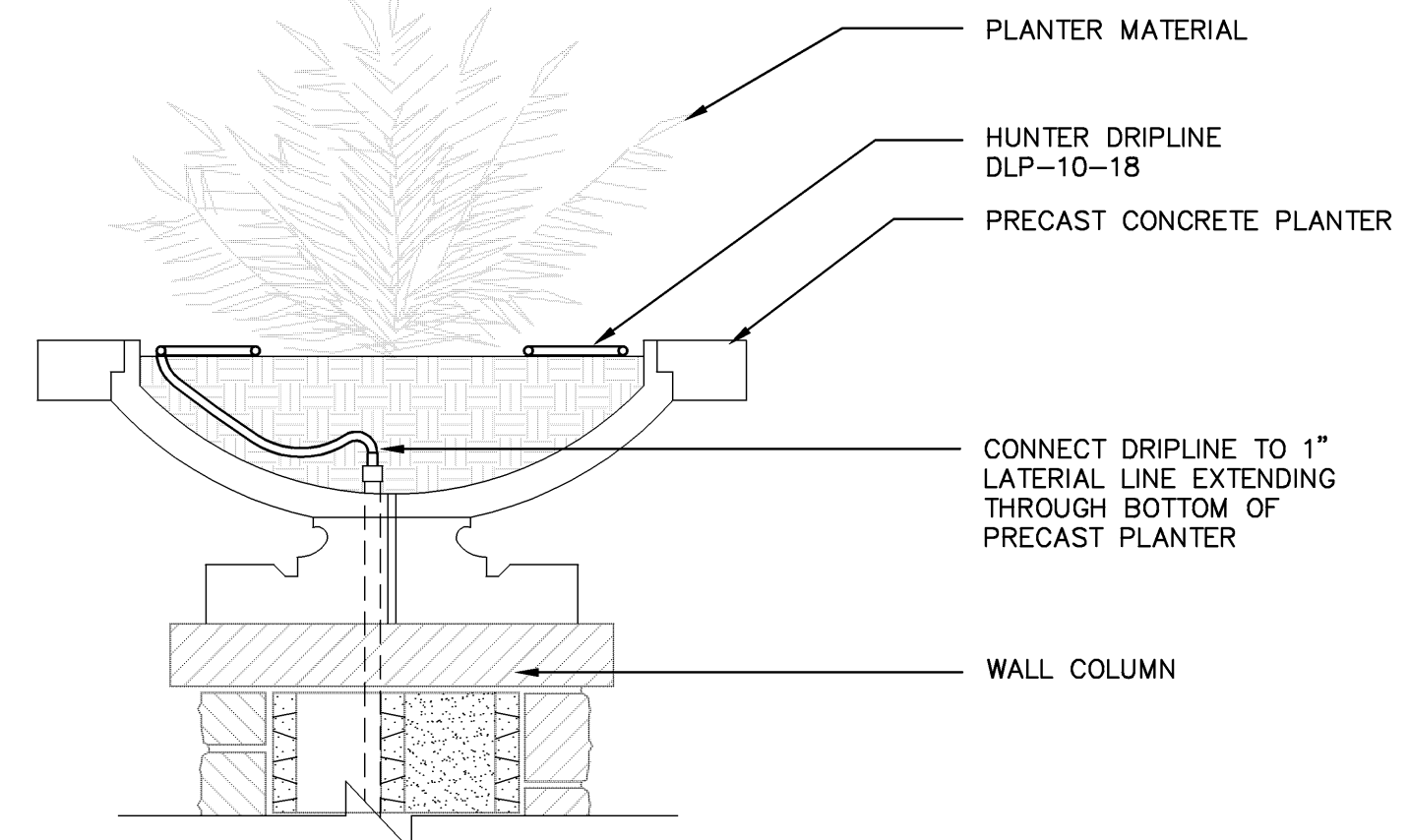
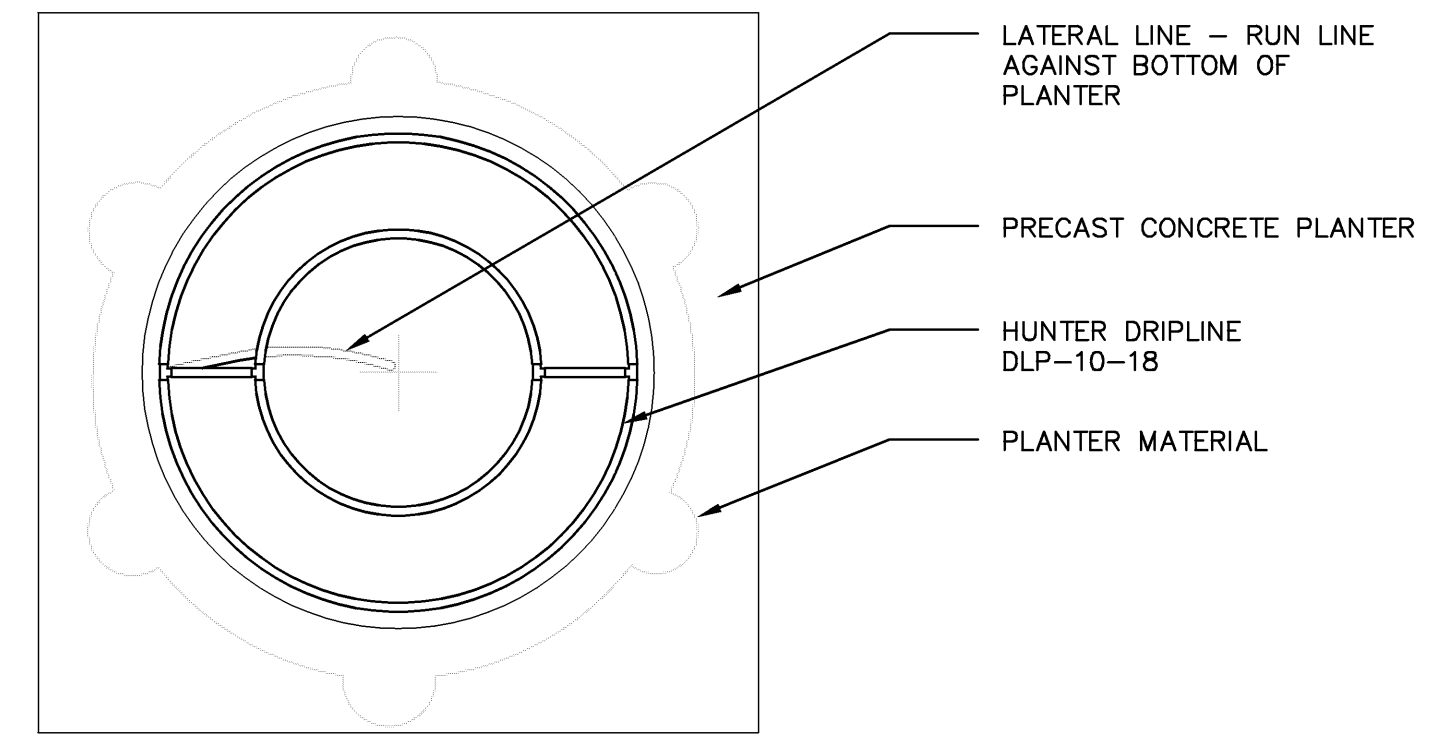
6 REMOTE CONTROL VALVE 1/2"=1'-0"



7 ROTOR HEAD 1-1/2"=1'-0"



8 REDUCED PRESSURE ZONE BACKFLOW PREVENTER NTS LOCATIONS AS SHOWN ON IRRIGATION PLAN



9 COLUMN - DRIPLINE IRRIGATION SCALE: 1" = 1'-0"

PRINTS ISSUED		
DATE	PURPOSE	NO.
10.05.09	FIELD CHECK	
11.12.09	OFFICE CHECK	
02.01.10	FINAL PLANS	

RIVER CORRIDOR
IMPROVEMENTS PHASE 1C:
WICHITA, KS

LawKingdonArchitecture
Engineering • Planning • Interiors • Landscapes

LawKingdonArchitecture
345 RIVERVIEW, WICHITA, KS 67203
Phone (316) 268-0230 Fax: (316) 268-0206

CONTACT: JEFFREY A. BEST, ASIA
PROJECT NUMBER:
08386

SHEET TITLE:
**IRRIGATION
DETAILS**

SHEET NUMBER:
IR2.2