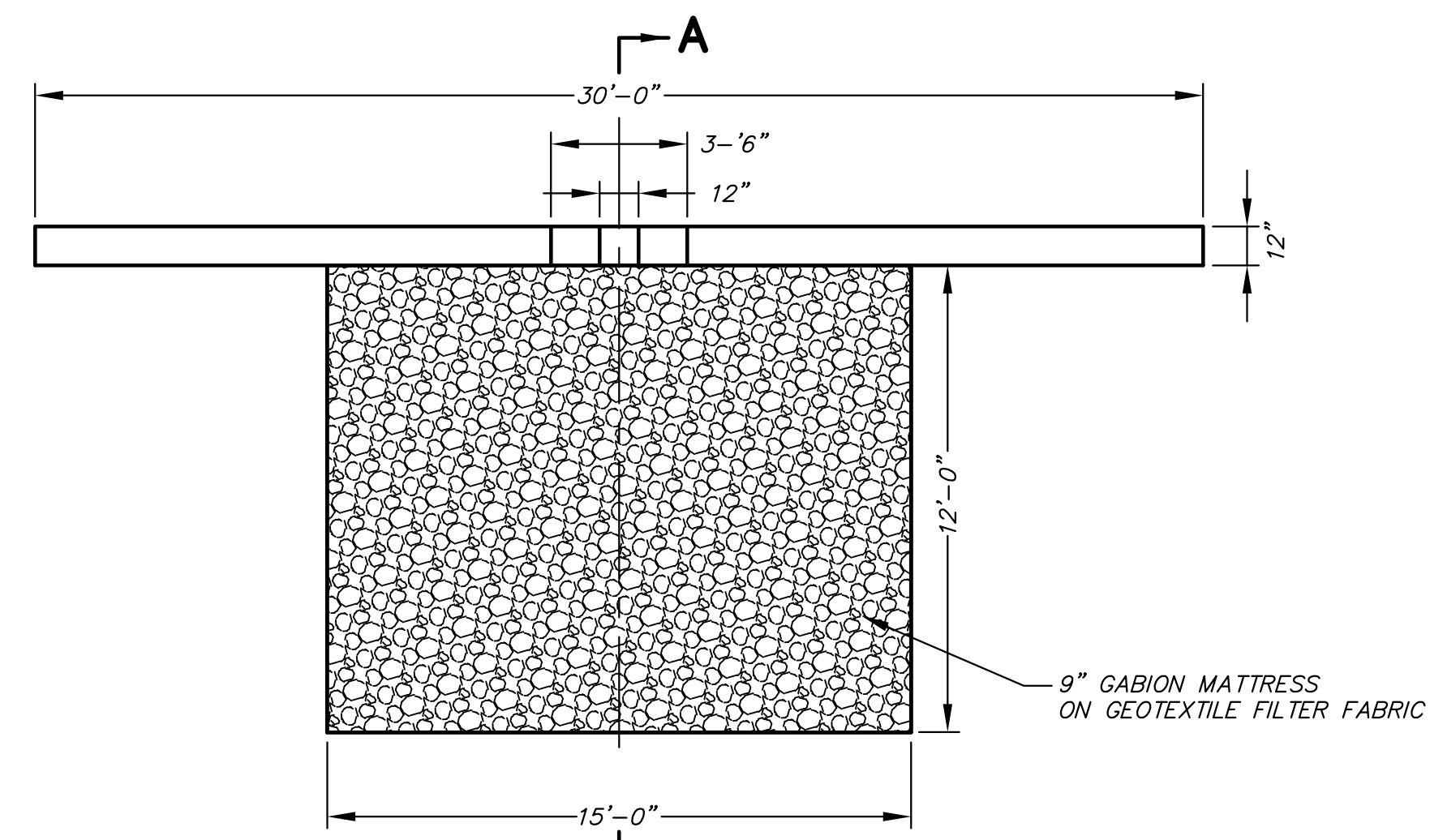
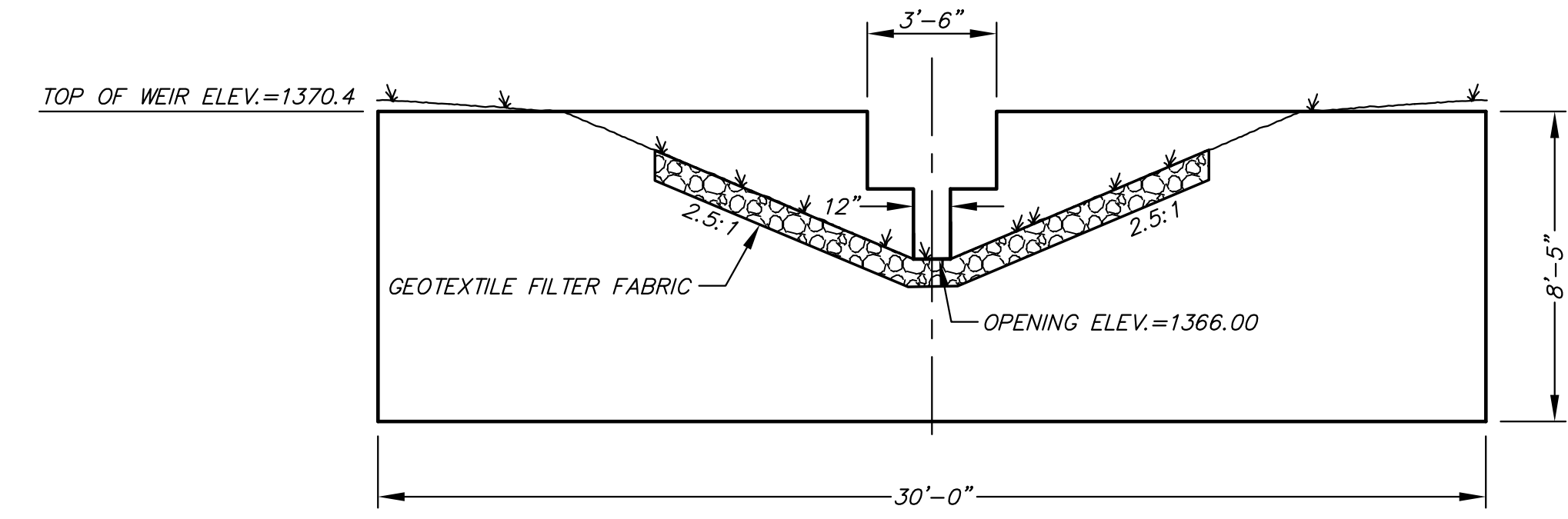


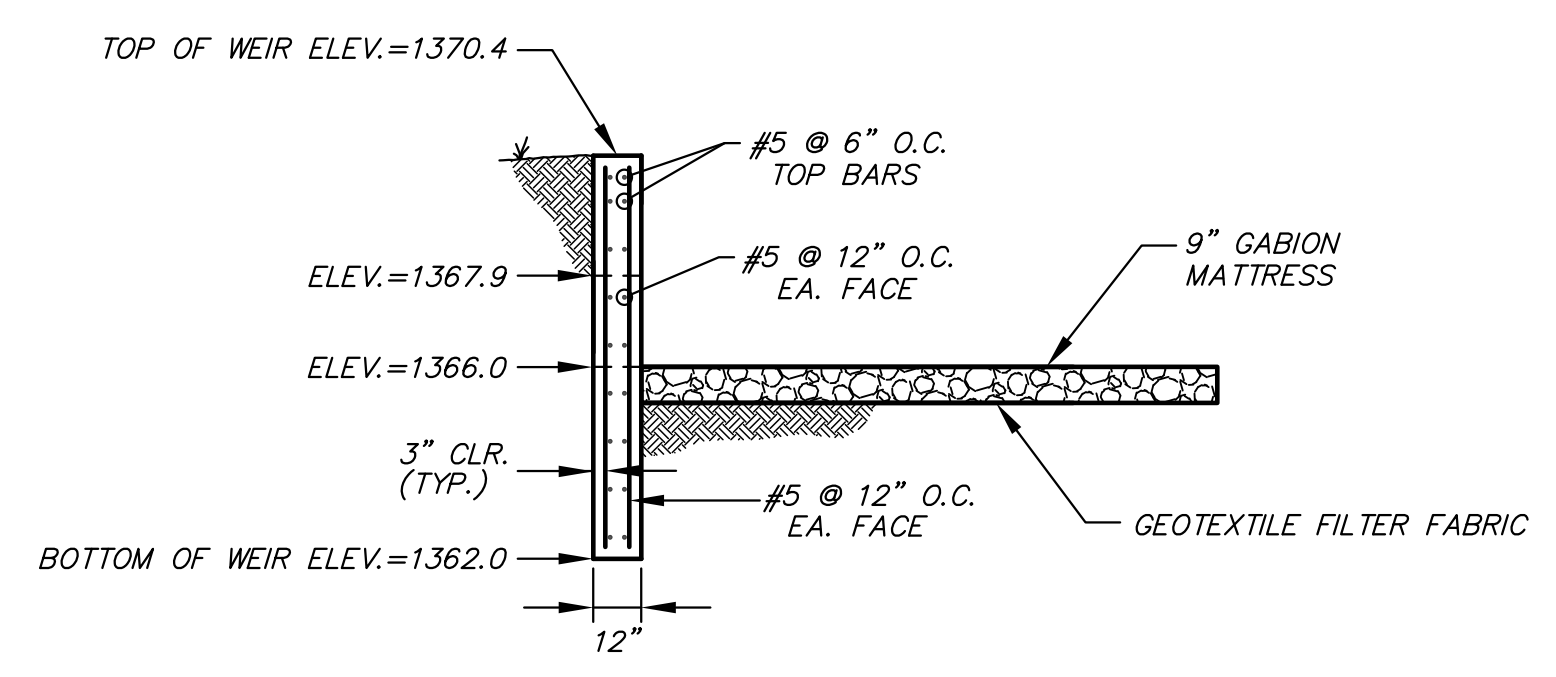
GRADING AND DRAINAGE PLANS
SUMMIT CROSSING
WICHITA, KANSAS



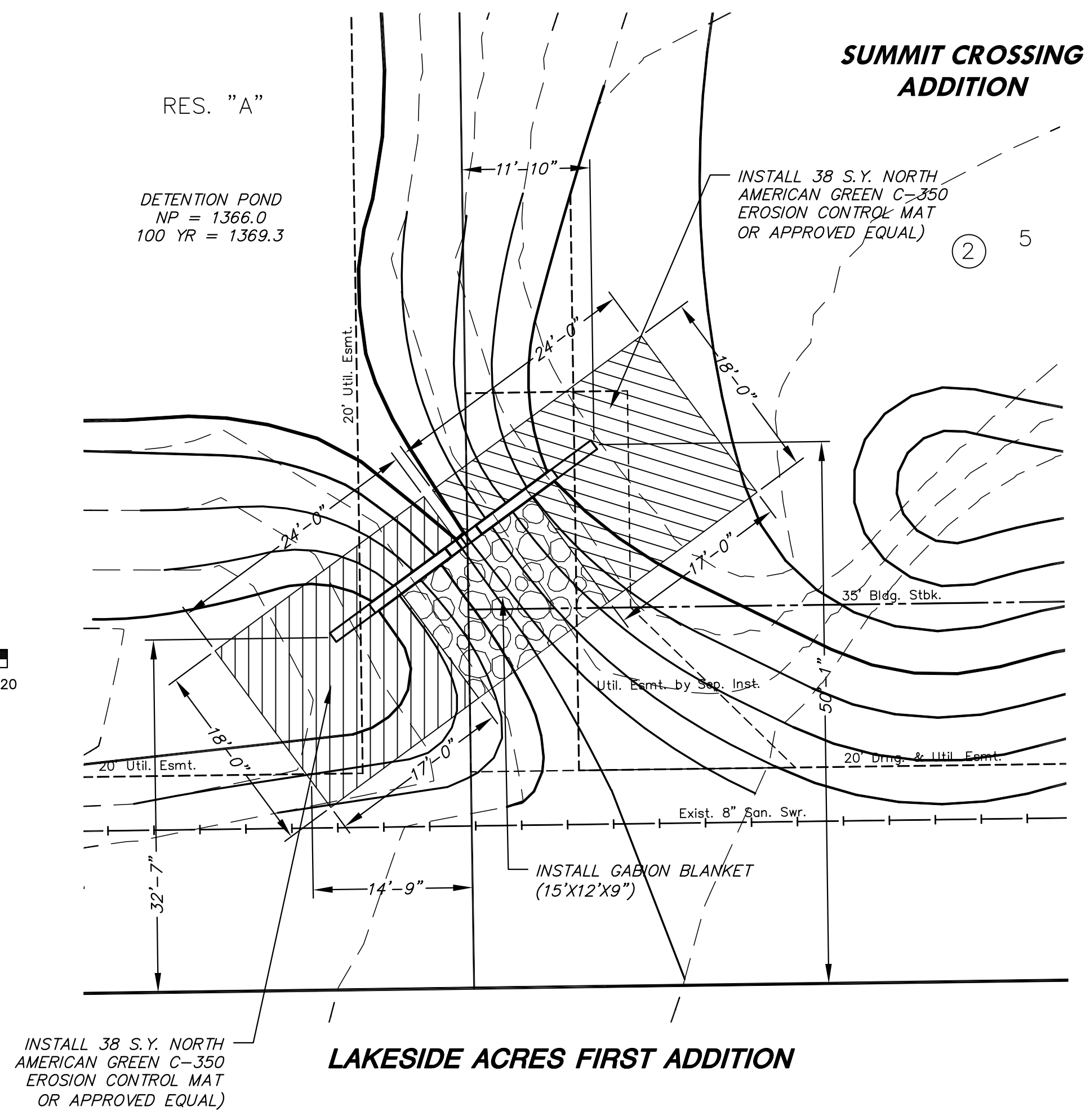
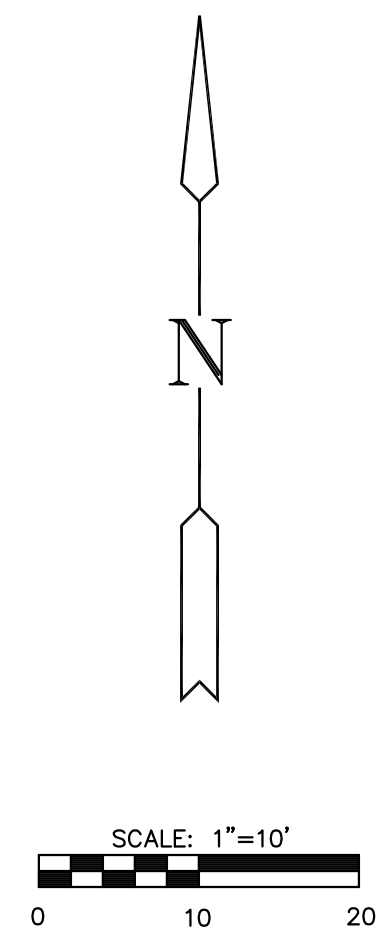
WEIR/GABION PLAN DETAIL
1/4"=1'-0"



WEIR DOWNSTREAM ELEVATION
1/4"=1'-0"



SECTION A-A
1/4"=1'-0"



LAKESIDE ACRES FIRST ADDITION

GENERAL NOTES

1. All concrete to have minimum compressive strength of 4000 psi at 28 days. Contractor shall submit concrete mix design to Engineer for approval prior to construction.
2. All concrete shall conform to the current "ACI MANUAL OF CONCRETE PRACTICE".
3. Portland Cement shall conform to ASTM C-150, TYPE I OR III.
4. All aggregate for normal weight concrete shall meet ASTM C33.
5. All reinforcing to meet ASTM A615 or GR 60.
6. Concrete cover shall be 3" in bottom of footing cast against soil. All other cover shall be 2".
7. All footings shall bear on undisturbed earth or engineered fill at elevations shown on details.
8. Earthwork shall be considered subsidiary to weir construction.
9. Geotextile Fabric shall be Trevira Spunbond #1120 or approved equal.
10. Gabions and Mattresses shall be PVC coated.
11. Erosion control mat shall be North American Green C-350 or approved equal.

WEIR PLANS

SHEET TITLE
08542
PROJECT NUMBER

DESIGN BY: **MKEC**
DRAWN BY: **MKEC**
CHECKED BY: **MKEC**

ISSUED
March 2010
REVISED

SHEET NO.
7 of 15