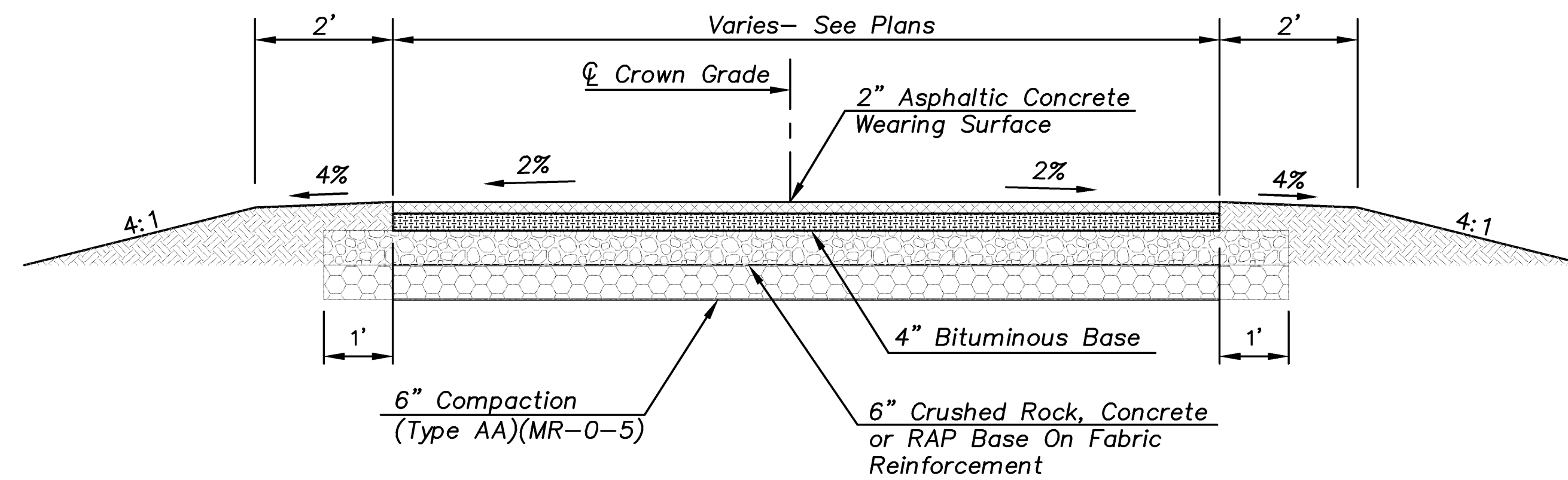
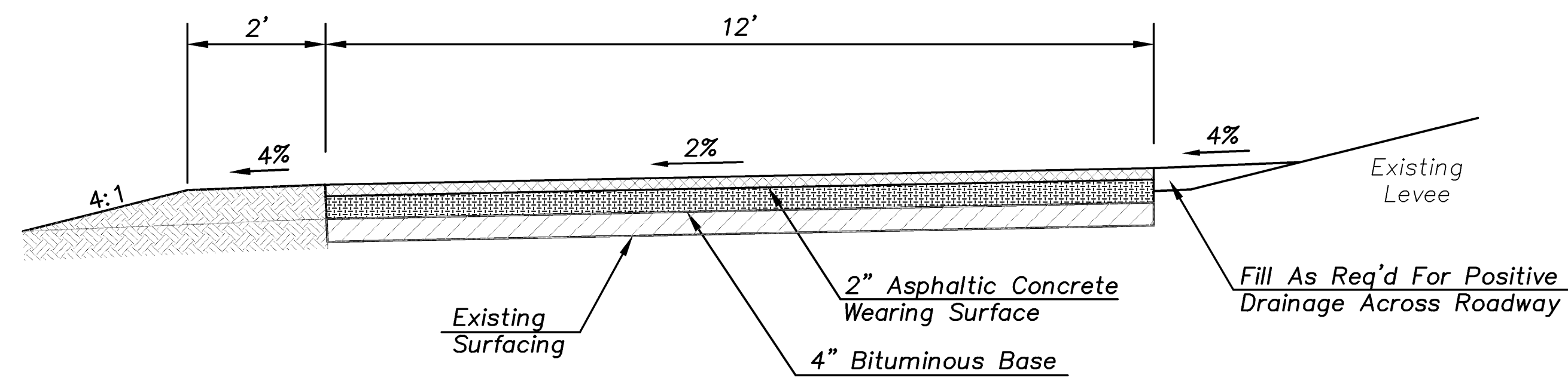


PUMP STATION YARD PAVING
Sta. 10+00 to Sta. 11+58.44



ENTRANCE FROM 37TH STREET
Sta. 17+25.97 to Sta. 18+54



ACCESS ROAD IMPROVEMENT
Sta. 11+58.44 to Sta. 17+25.97

CITY OF WICHITA, KANSAS		CFS Cook, Flatt & Strobel ENGINEERS, P. A.
PUMP STATION NO. 11		
CIVIL		DESIGNED MDC SCALE As Shown
TYPICAL SECTIONS		DETAILED LRM DATE 3-10-2010
		CHECKED SHEET C3 OF C31

J:\2008Proj\08527\DWG\003-TYPICAL SECTIONS.dwg 3/11/2010 - 7:50am