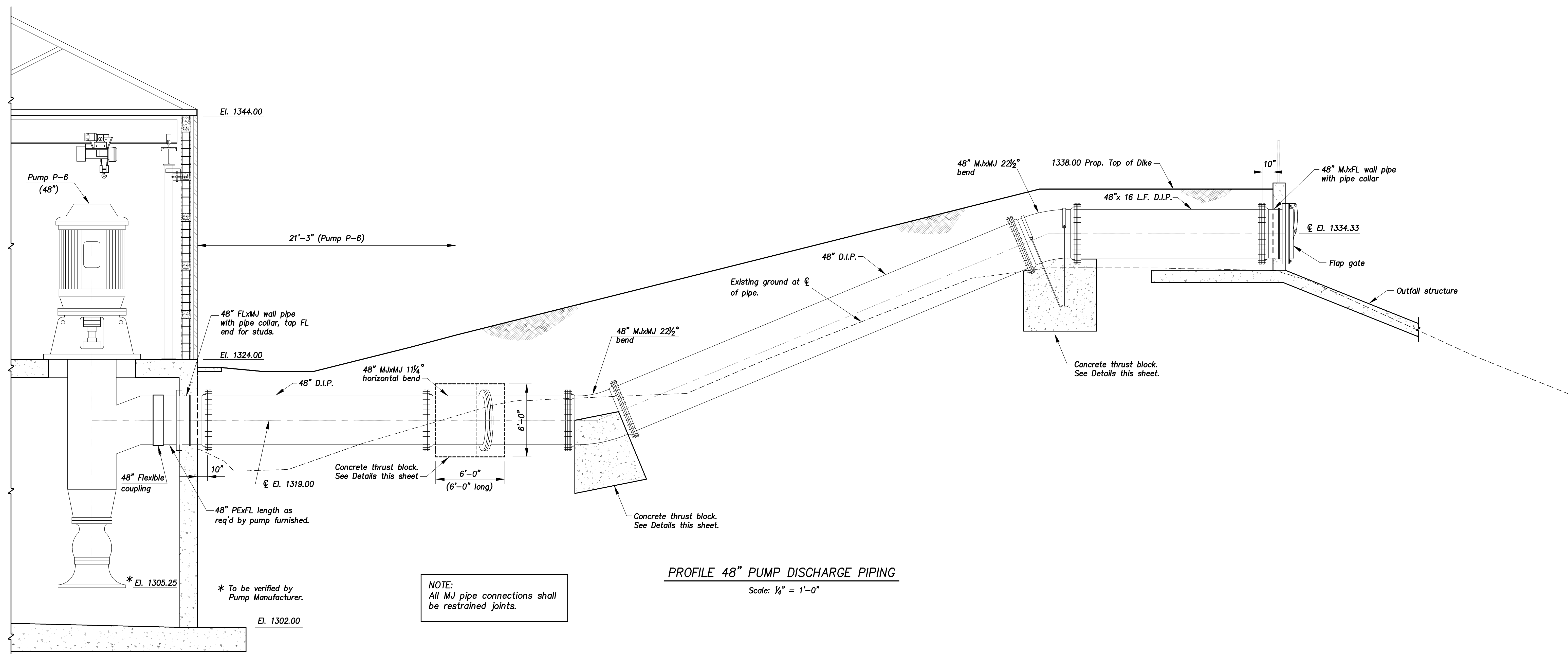
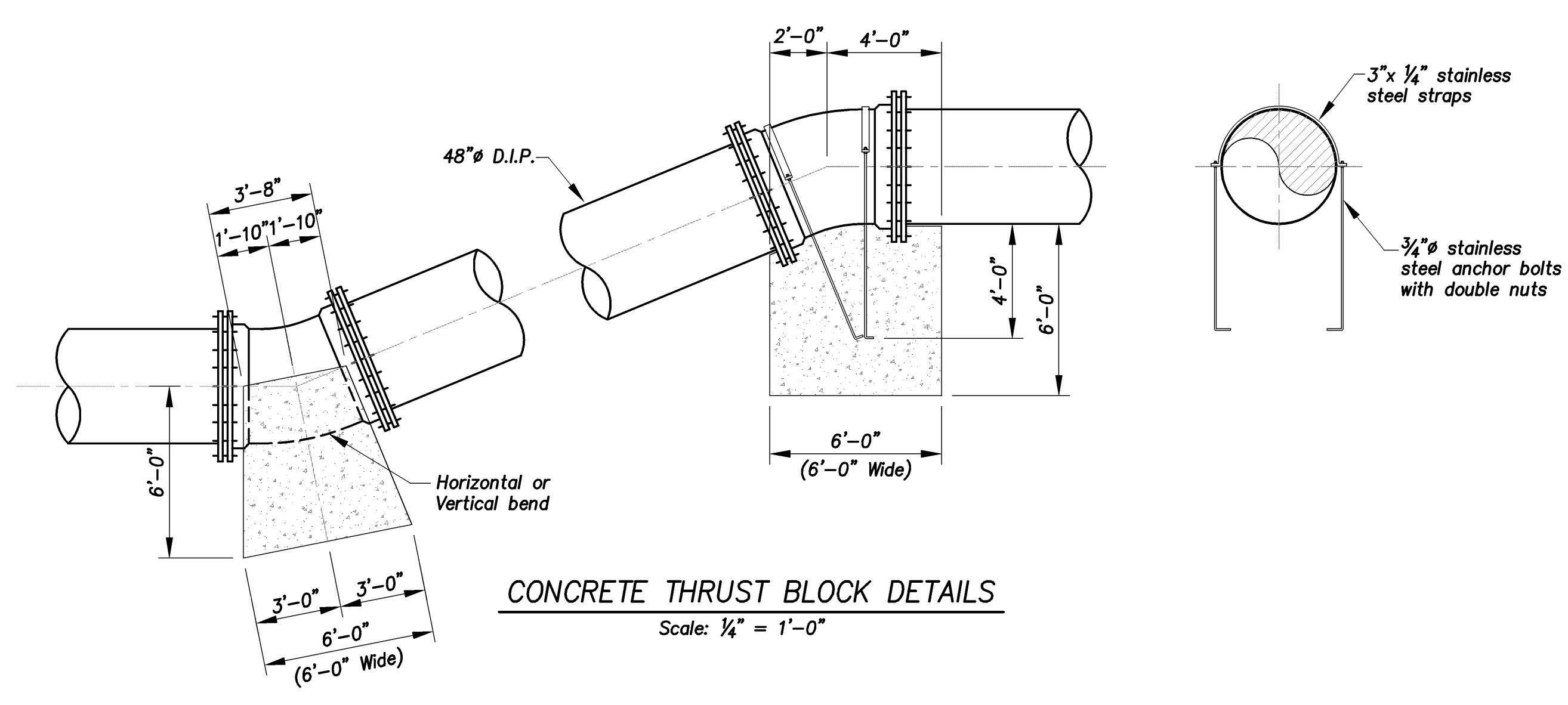


J:\2008Proj\08227\DWG\Structural\DWG\Pump Discharge Piping.dwg Pump P-6 3/11/2010 - 6:01am lmarth



**PROFILE 48" PUMP DISCHARGE PIPING**  
 Scale: 1/4" = 1'-0"

**NOTE:**  
 All MJ pipe connections shall be restrained joints.



**CONCRETE THRUST BLOCK DETAILS**  
 Scale: 1/4" = 1'-0"

CITY OF WICHITA, KANSAS	
PUMP STATION NO. 11	
STRUCTURAL	
<b>48" PUMP DISCHARGE PIPING</b>	
DESIGNED MDC	SCALE As Shown
DETAILED HAP	DATE 3-10-2010
CHECKED	SHEET C13 OF C31

