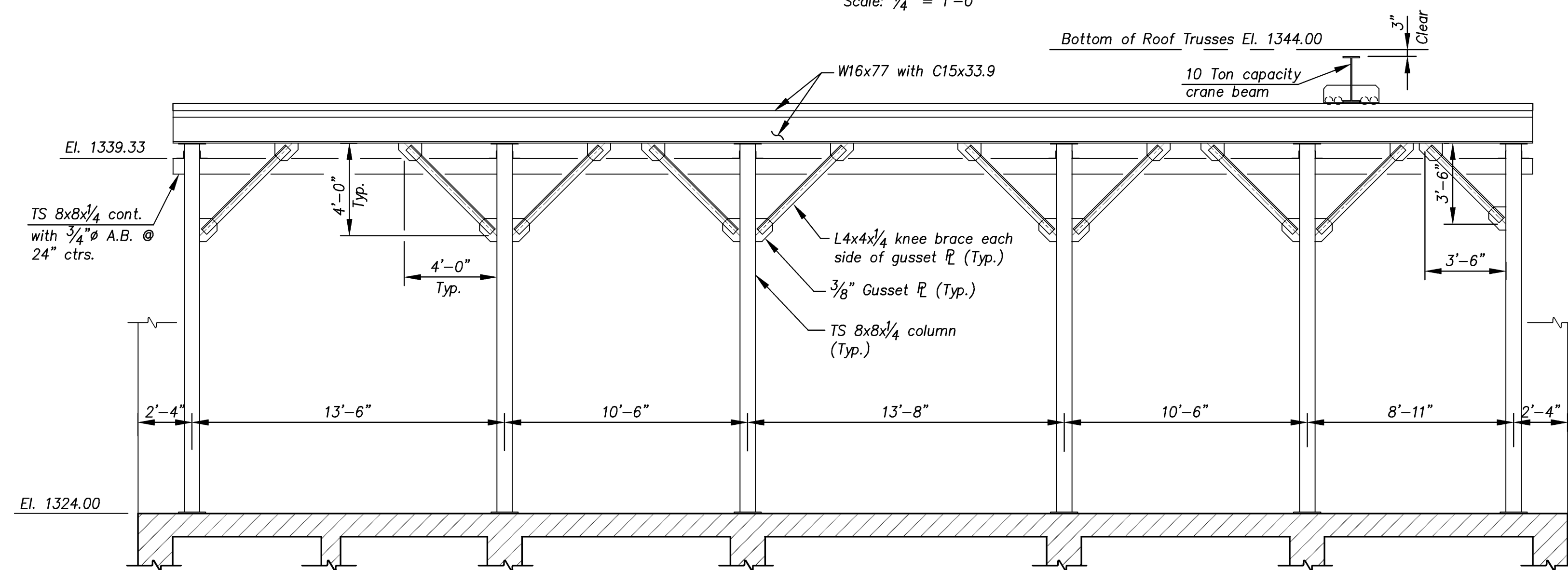



CRANE PLAN
Scale: 1/4" = 1'-0"



CRANE ELEVATION
Scale: 1/4" = 1'-0"

J:\2008Proj\08527\DWG\Structural\DWG S5 Crane Plan 11/10/2008 - 1:50pm lpham

CITY OF WICHITA, KANSAS		 Cook, Flatt & Strobel ENGINEERS, P. A.
PUMP STATION NO. 11		
STRUCTURAL		
PUMP STATION		DESIGNED KMB SCALE As Shown
CRANE PLAN & ELEVATION		Detailed HAP DATE 10-30-09
		CHECKED SHEET S5 OF S17