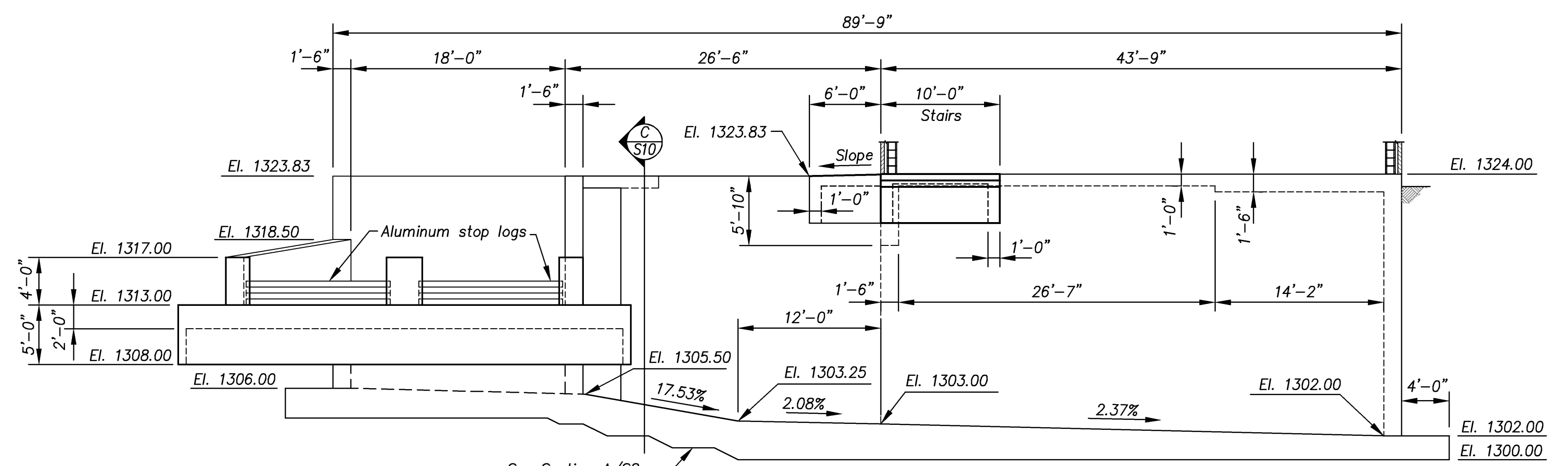
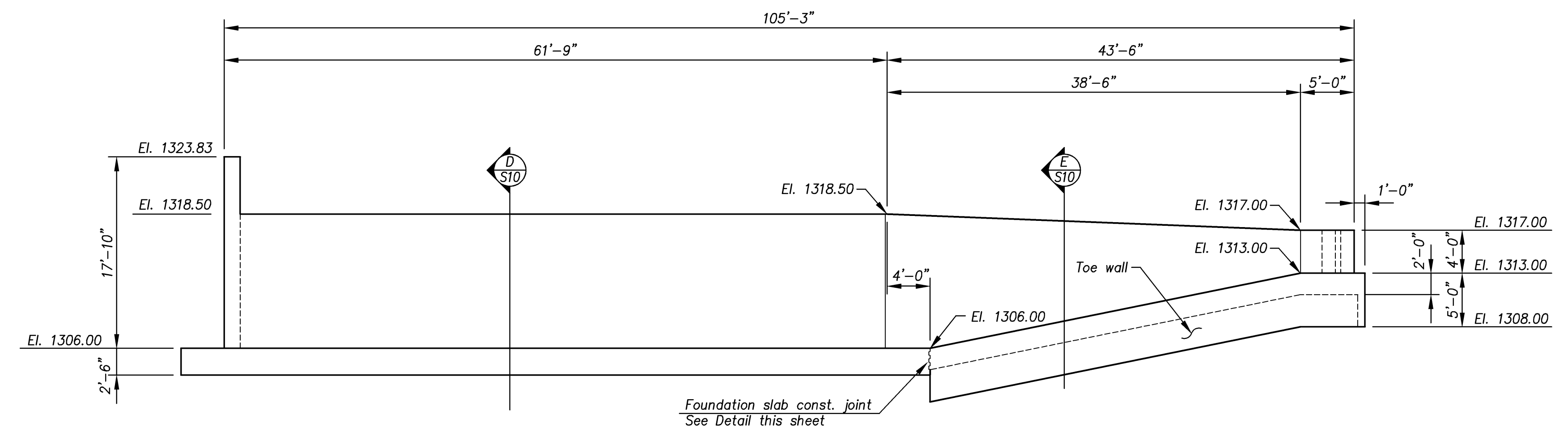


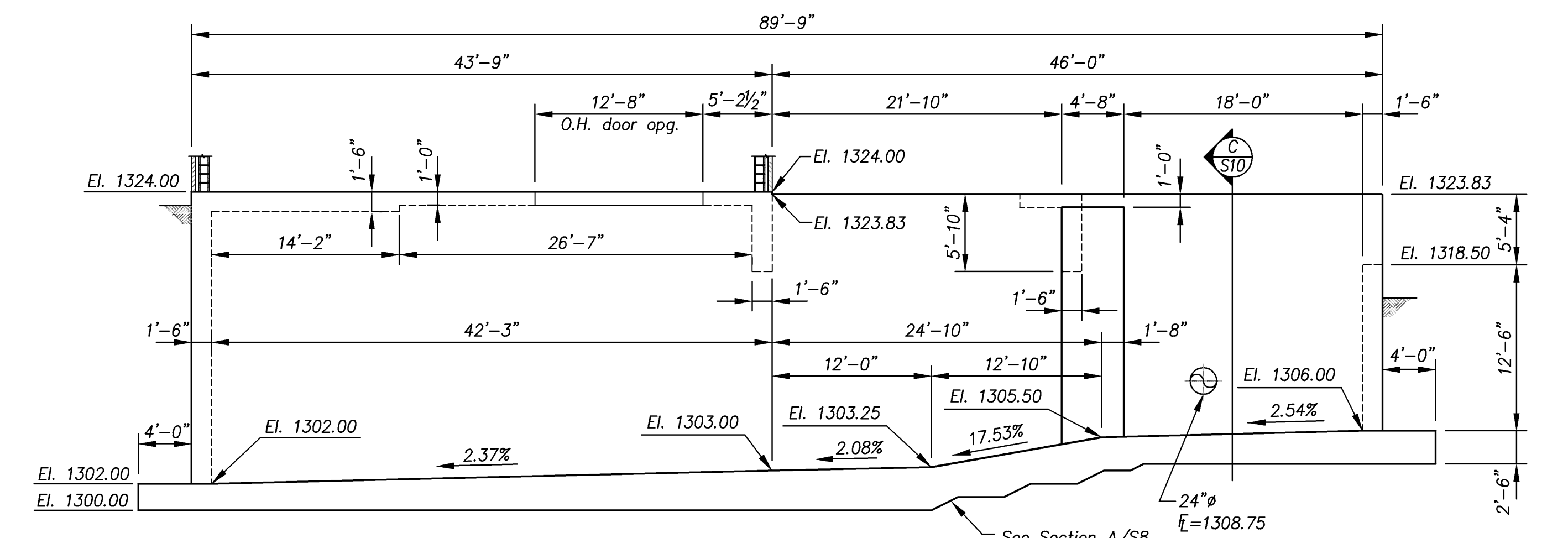
SOUTH ELEVATION
Scale: 1/8" = 1'-0"



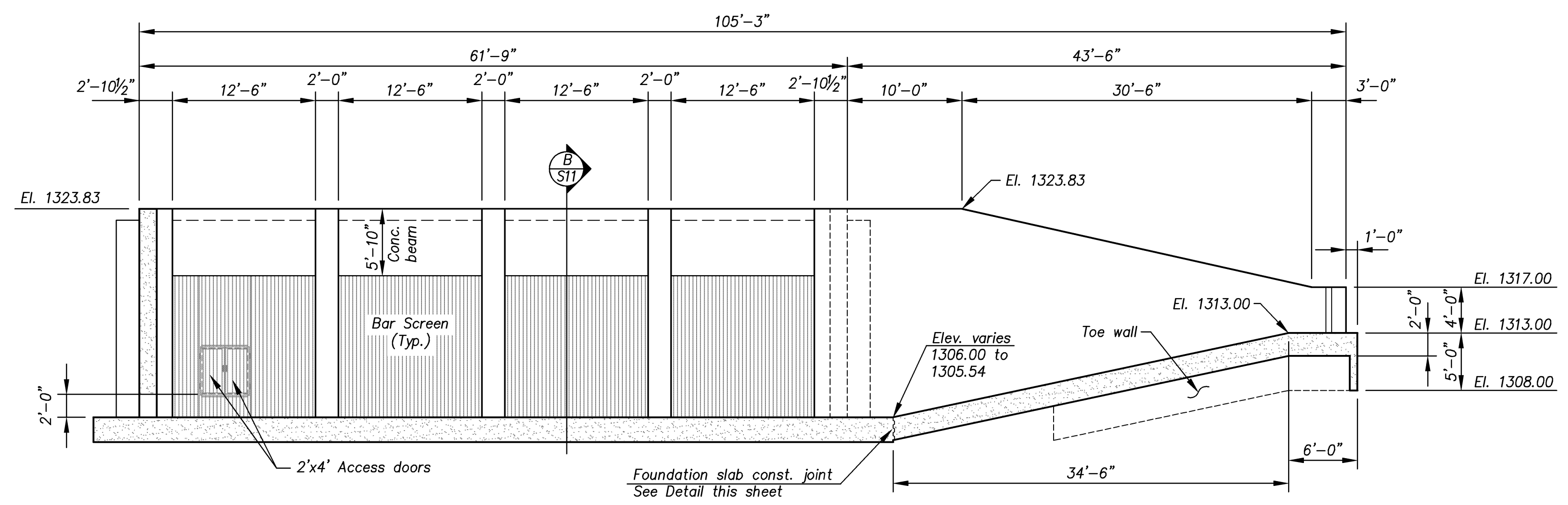
WEST ELEVATION
Scale: 1/8" = 1'-0"



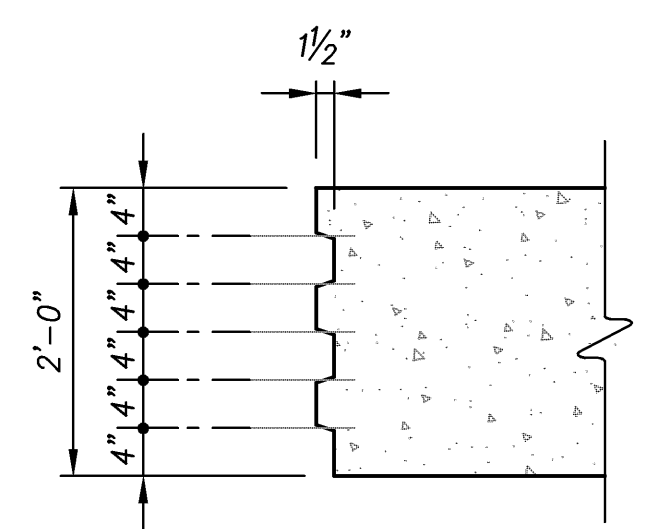
NORTH ELEVATION
Scale: 1/8" = 1'-0"



EAST ELEVATION
Scale: 1/8" = 1'-0"



BAR SCREEN ELEVATION
Scale: 1/8" = 1'-0"



Note:
All reinforcing steel shall be continuous through joint.

FOUNDATION SLAB CONSTRUCTION JOINT DETAIL
Scale: 3/4" = 1'-0"

CITY OF WICHITA, KANSAS		CFS Cook, Flatt & Strobel ENGINEERS, P. A.
PUMP STATION NO. 11		
STRUCTURAL		DESIGNED KMB SCALE As Shown
PUMP STATION FOUNDATION ELEVATIONS		DATE 10-30-09
		CHECKED HAP SHEET S7 OF S17

J:\2008Proj\0827\DWG\Structural\DWG\Structural_2.dwg ST FD Elev 11/10/2009 - 1:50pm tpham