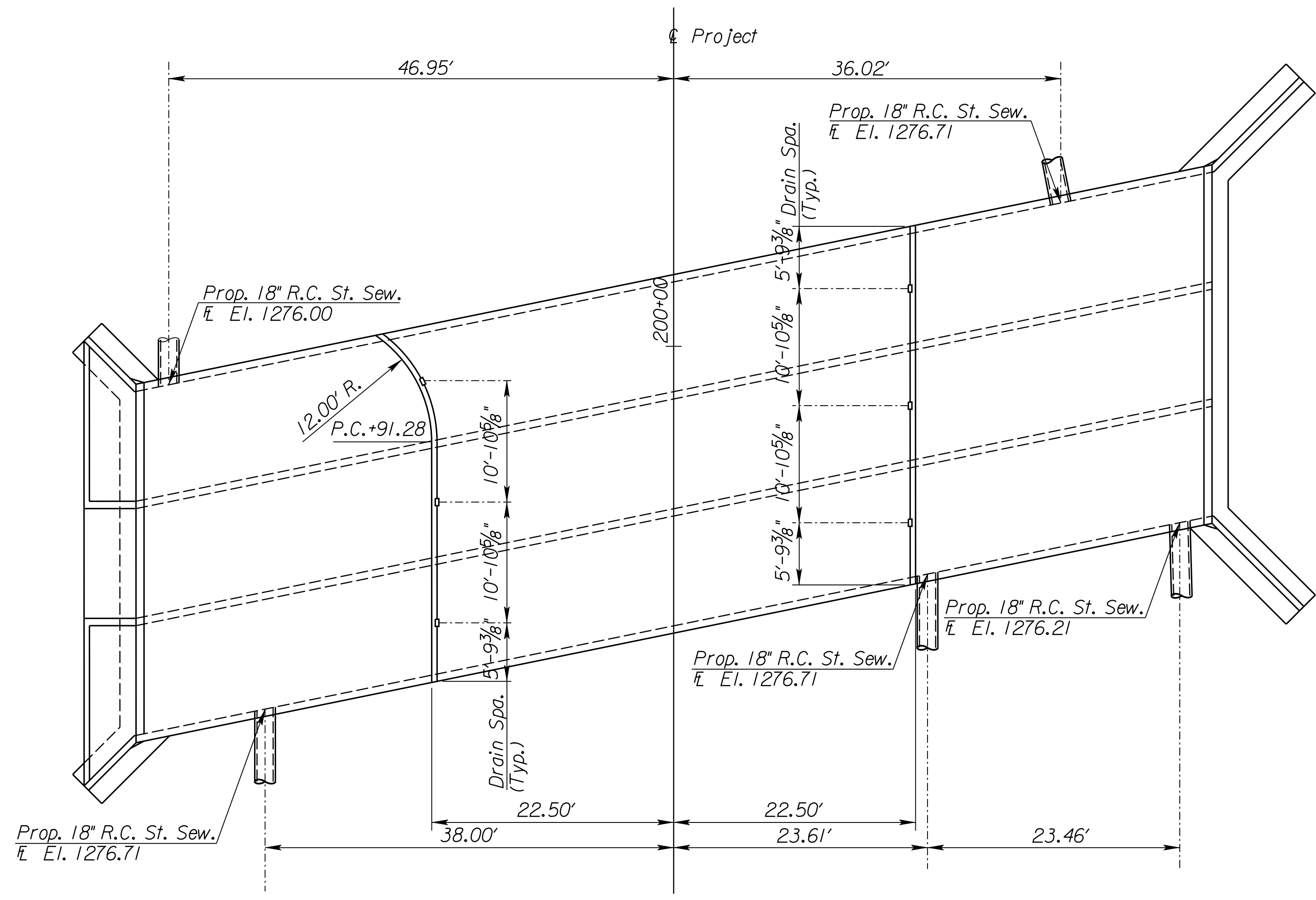
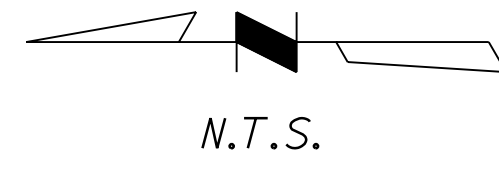
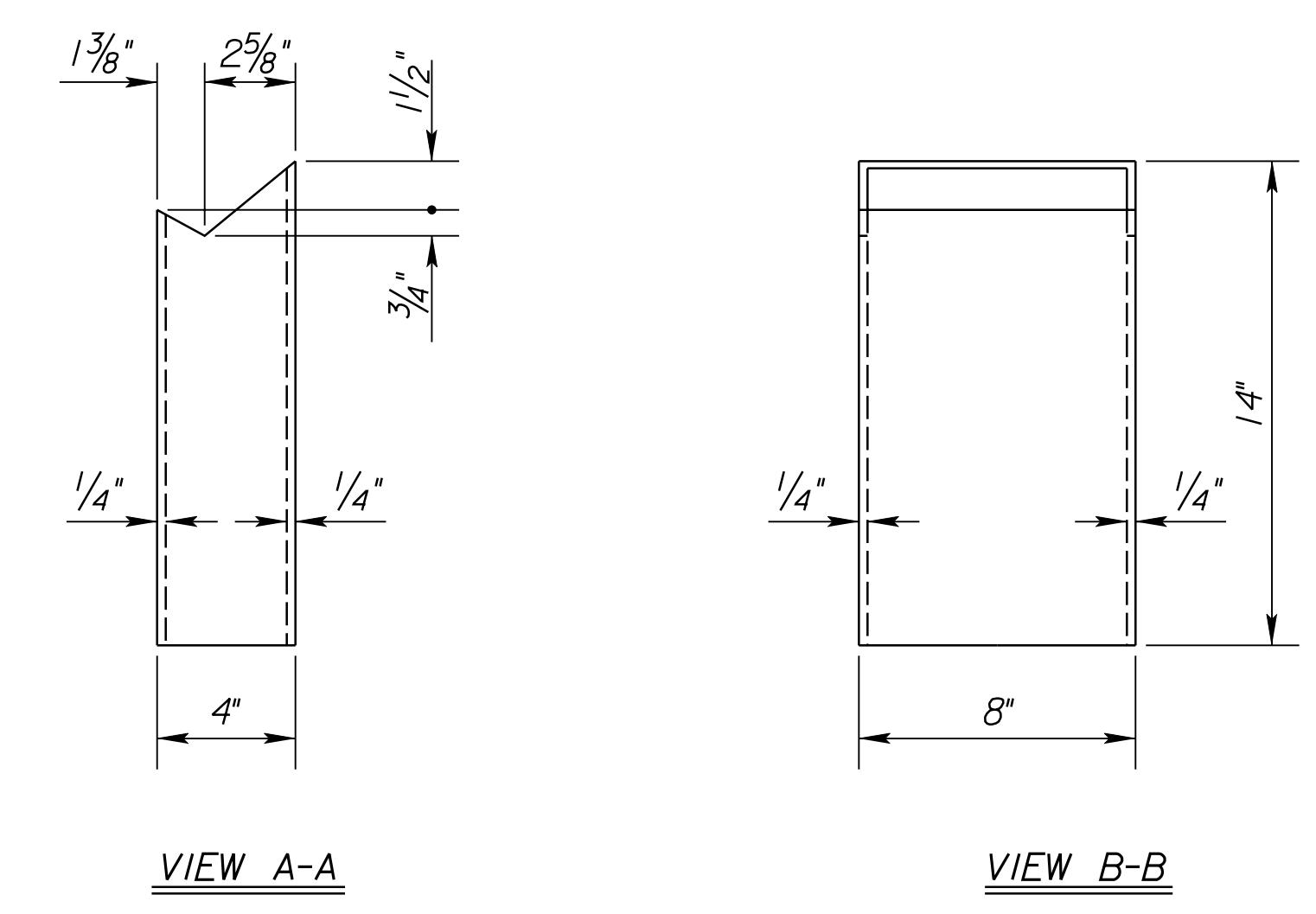


COUNTY	STATE	PROJECT NO.	YEAR	SHEET NO.	TOTAL SHEETS
SEDGWICK	KANSAS	472-84702	2010	12	36

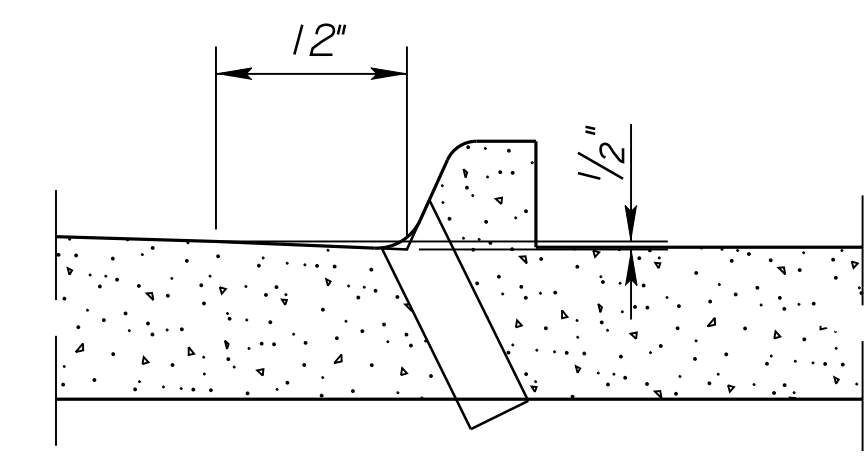


BOX LAYOUT

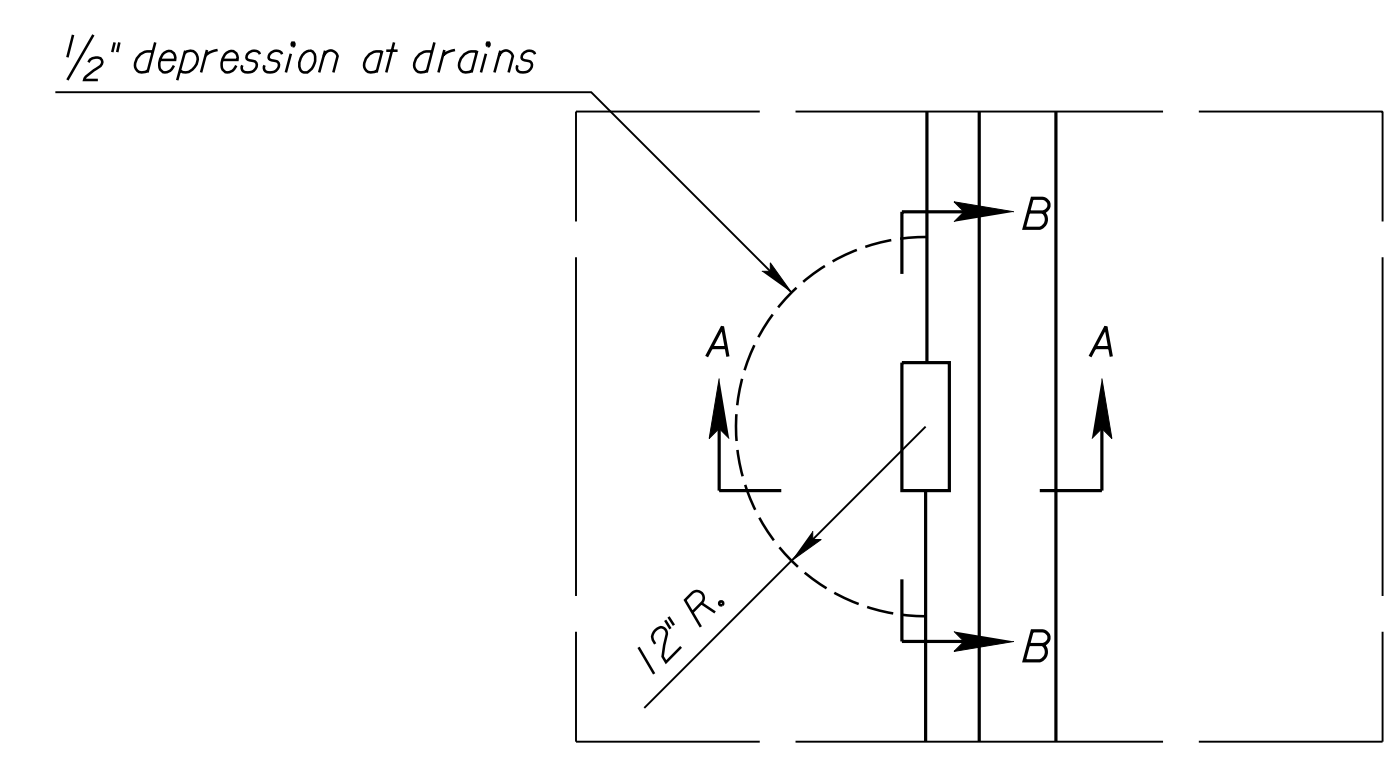


VIEW A-A                      VIEW B-B

CAST IRON DRAIN DETAIL \*



SECTION THRU DRAIN



PLAN AT DRAIN

\* Paid for as "Deck Drains"

CITY OF WICHITA  
 JAMES ARMOUR, P.E., CITY ENGINEER  
 31ST STREET BRIDGE AT GLENN  
 MISCELLANEOUS DETAILS



SCALE	DATE	DWG. NO.
	5/4/2010	35768A

T:\35768A\CADD\SHEETS\STRUCTURES\31STBRIDGE\MISC.dgn  
 SURV.    PLOT    CADD    DES.    DR.    CKD.    TR.    APP.