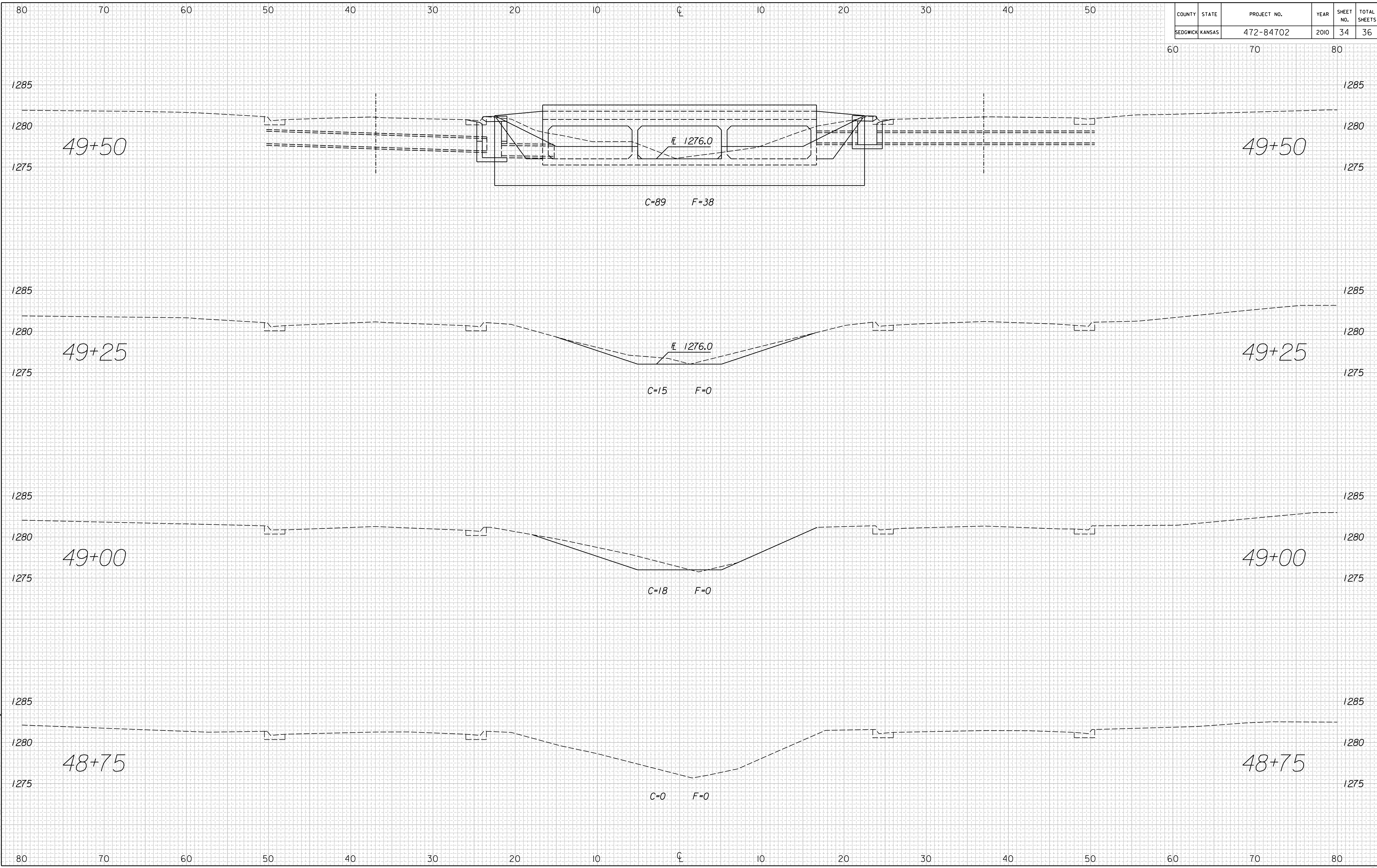


COUNTY	STATE	PROJECT NO.	YEAR	SHEET NO.	TOTAL SHEETS
SEDGWICK	KANSAS	472-84702	2010	34	36



T:\15768A\CADD\SHEET\ROADWAY\SECT\15768A\SEC01.dgn