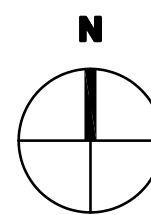


**McADAMS SWIMMING POOL
SITE LIGHTING PLAN**

SCALE:



WICHITA PUBLIC POOLS - LIGHT FIXTURE SCHEDULE

GENERIC DESCRIPTION	MFG. & CATALOG NUMBER	VOLT	LAMPS	MOUNTING
A ARCHITECTURAL POST TOP	SPAULDING # PFI-XL-SM-SF-M400PS-III-MT-DBZ-VERIFY STRIPE	208	1 - M400PS	POLE 2
B				
C ARCHITECTURAL POST TOP	SPAULDING # PFI-XL-SM-SF-M400PS-III-MT-DBZ-VERIFY STRIPE	208	1 - M400PS	POLE 1
D				
E				
F				
G				

LIGHT FIXTURE NOTES:

ALL SUBSTITUTIONS SHALL BE REVIEWED AT SHOP DRAWINGS FOR ACCEPTANCE OR REJECTION. ATTENTION SHALL BE GIVEN TO LAMPS, VOLTAGE, MOUNTING, PHYSICAL DIMENSIONS, FINISHES, PHOTOMETRICS, ETC.
CAUTION: IN "OPEN" METAL HALIDE FIXTURES, PROVIDE AND INSTALL PROPER SAFE LAMP.

① **ALTERNATE FIXTURE MANUFACTURERS:**

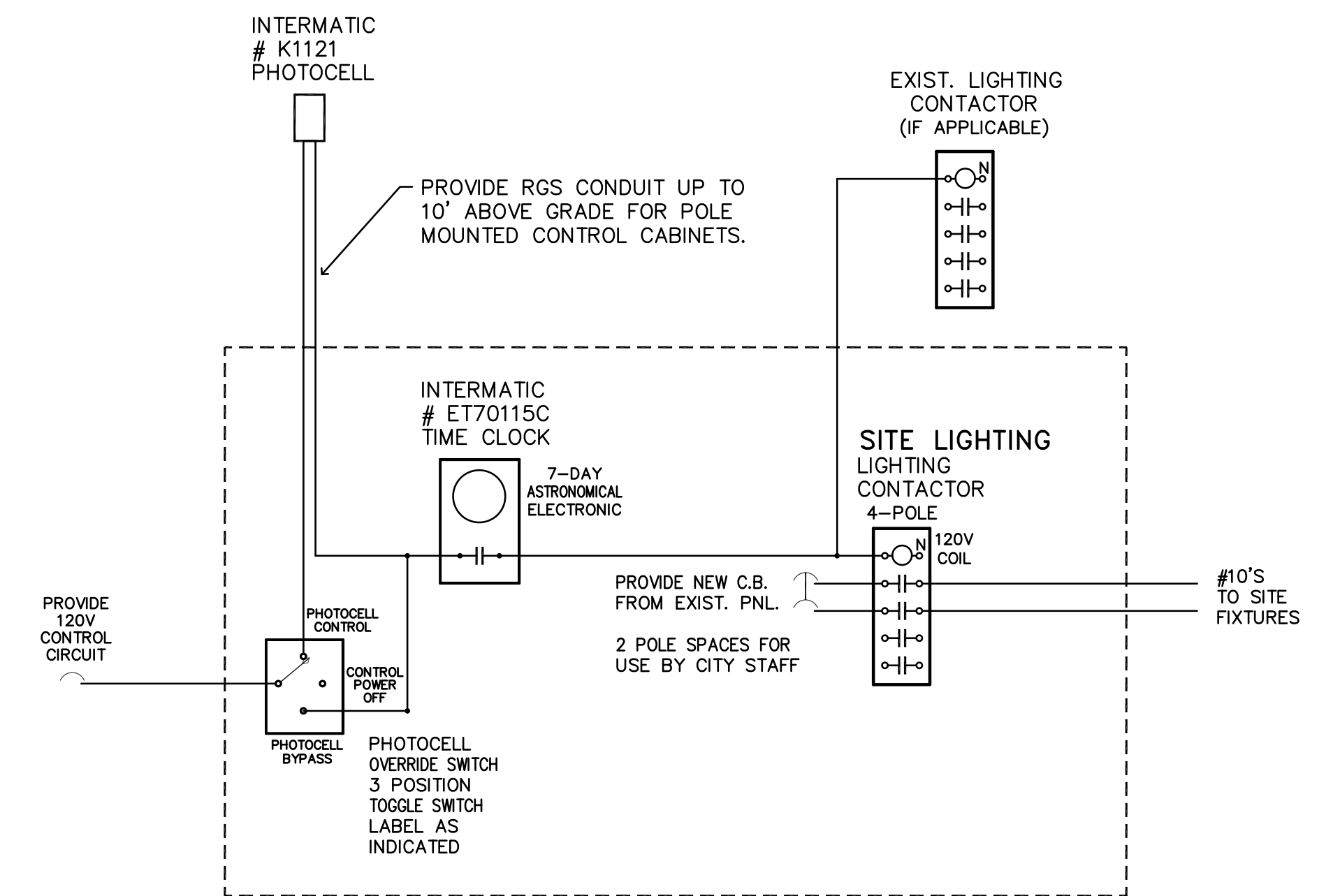
ALTERNATE MFG FOR TYPE "A"
TYPE "AM" MCGRAW-EDISON #GMC SERIES

ALTERNATE MFG FOR TYPE "C"
TYPE "CM" MCGRAW-EDISON #GMC SERIES

② ALL HID FIXTURES SHALL BE "BURNED-IN" AS PER LAMP MANUFACTURER'S RECOMMENDATIONS TO INSURE PROPER LAMP LIFE.

③ EC SHALL FAMILIARIZE HIMSELF WITH CHARACTERISTICS OF THE FIXTURES BEING SPECIFIED AND SHALL BE RESPONSIBLE FOR COORDINATING ANY SPECIAL INSTALLATION REQUIREMENTS SUCH AS MOUNTING HEIGHTS, BACKBOXES, ETC. PRIOR TO ROUGH-IN.

④ EC SHALL PROVIDE MOUNTING TO ALLOW THE FIXTURE TO BE AIMED UP TO 60° ABOVE STRAIGHT DOWN.



TYPICAL SITE LIGHTING CONTROL

CITY OF WICHITA
NEW SITE LIGHTING
WICHITA PUBLIC POOLS

PROJECT NUMBER # 472 84002		SHEET 7	
J/E PRO. # #04042	FILE WP9-E4	DATE 10-22-04	OF 7
DESIGN DAJ	DRAWN DAJ	REVISED	

JOHNSON ENGINEERING
330 S. LAURA
WICHITA, KS 67211
(316) 264-1953
(316) 264-1956 FAX

kemiller engineering
516 S. Market
Wichita, KS. 67202

316/264-0242