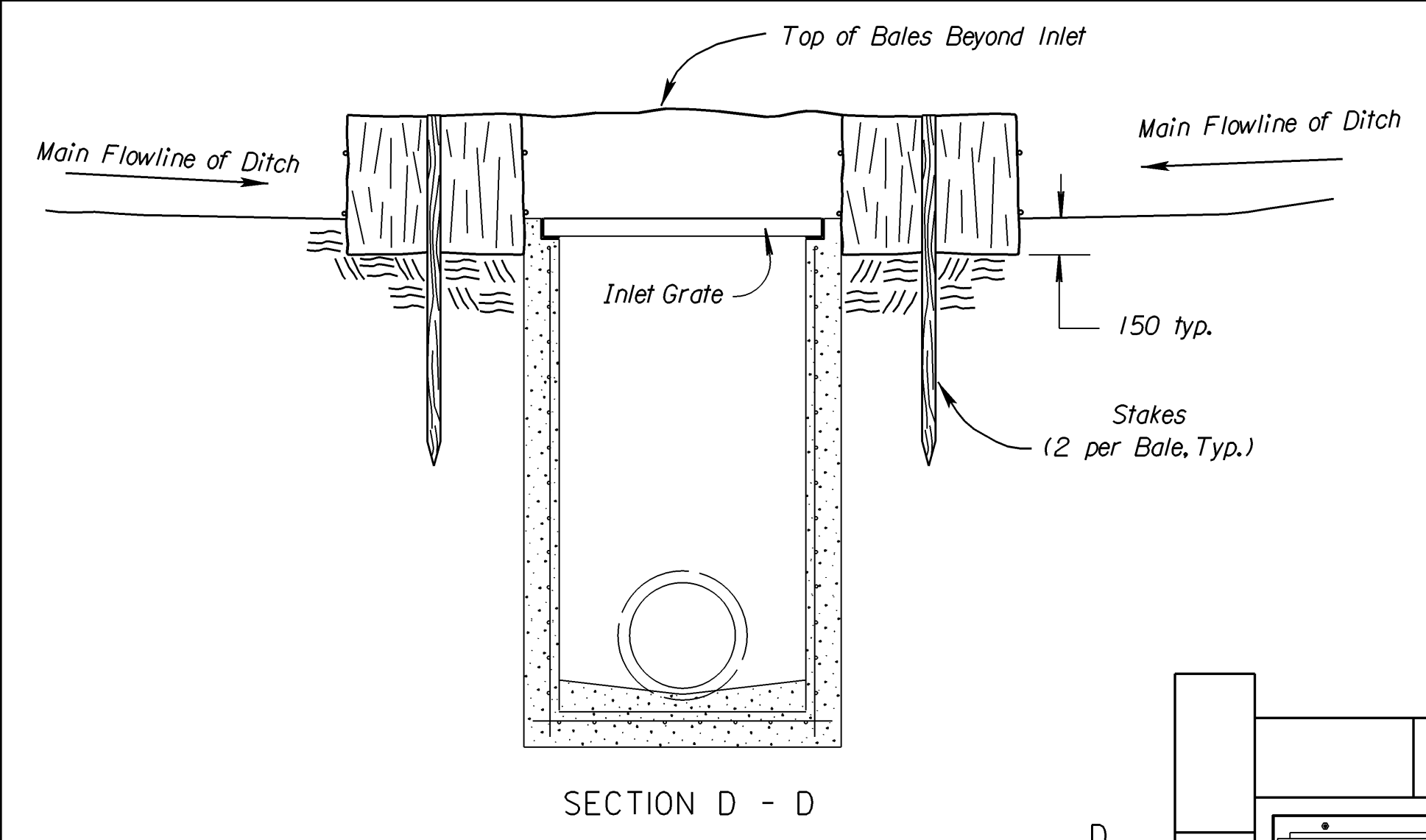
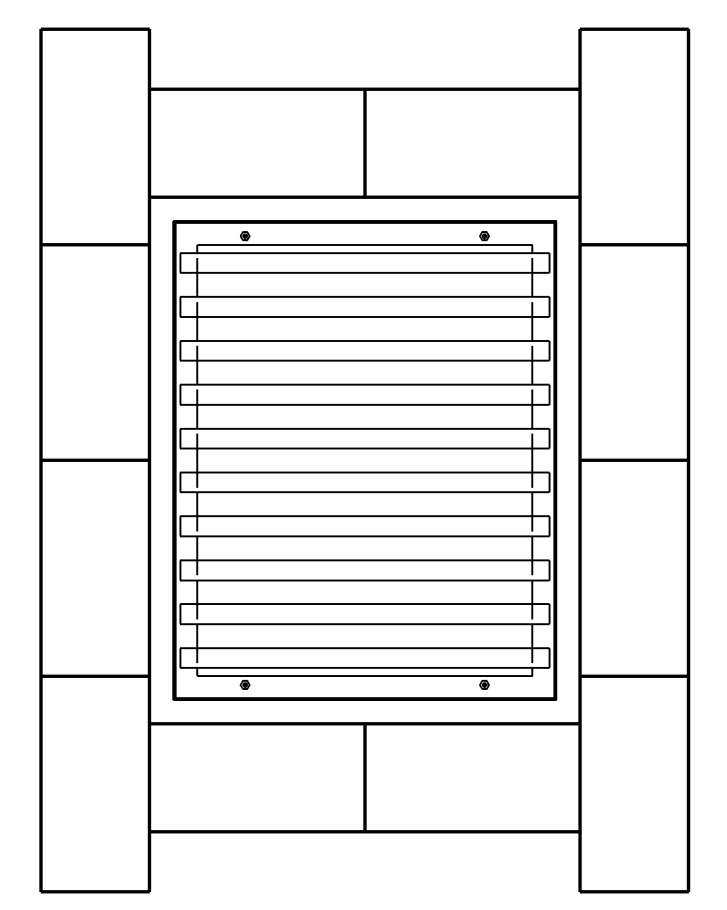


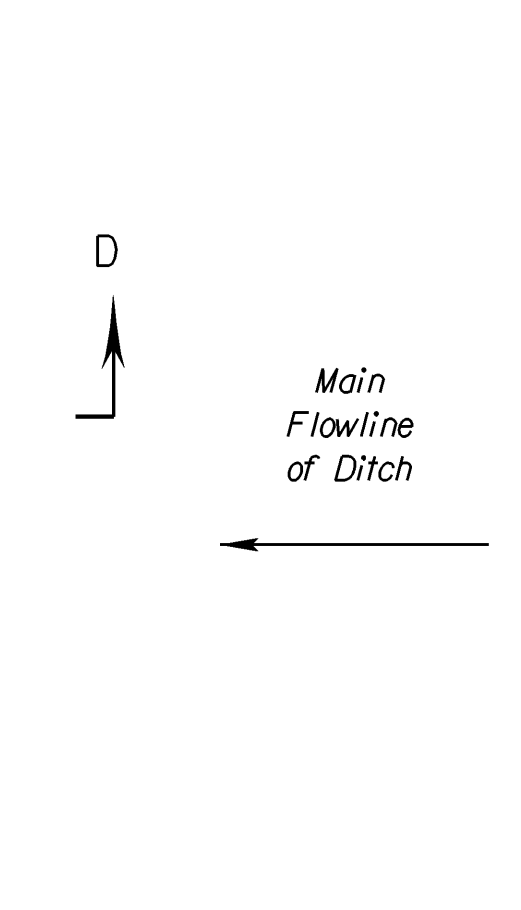
STATE	PROJECT NO.	YEAR	SHEET NO.	TOTAL SHEETS
KANSAS	87 N-0240-01	2004	17	42



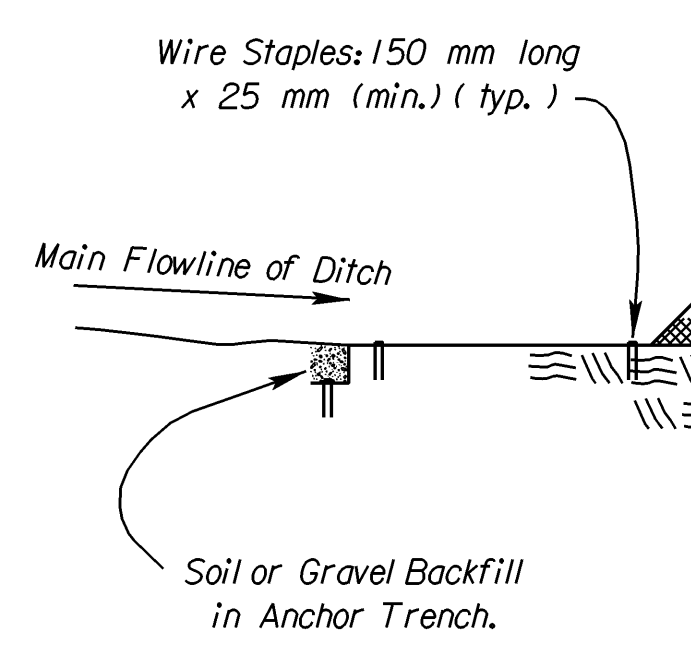
SECTION D - D



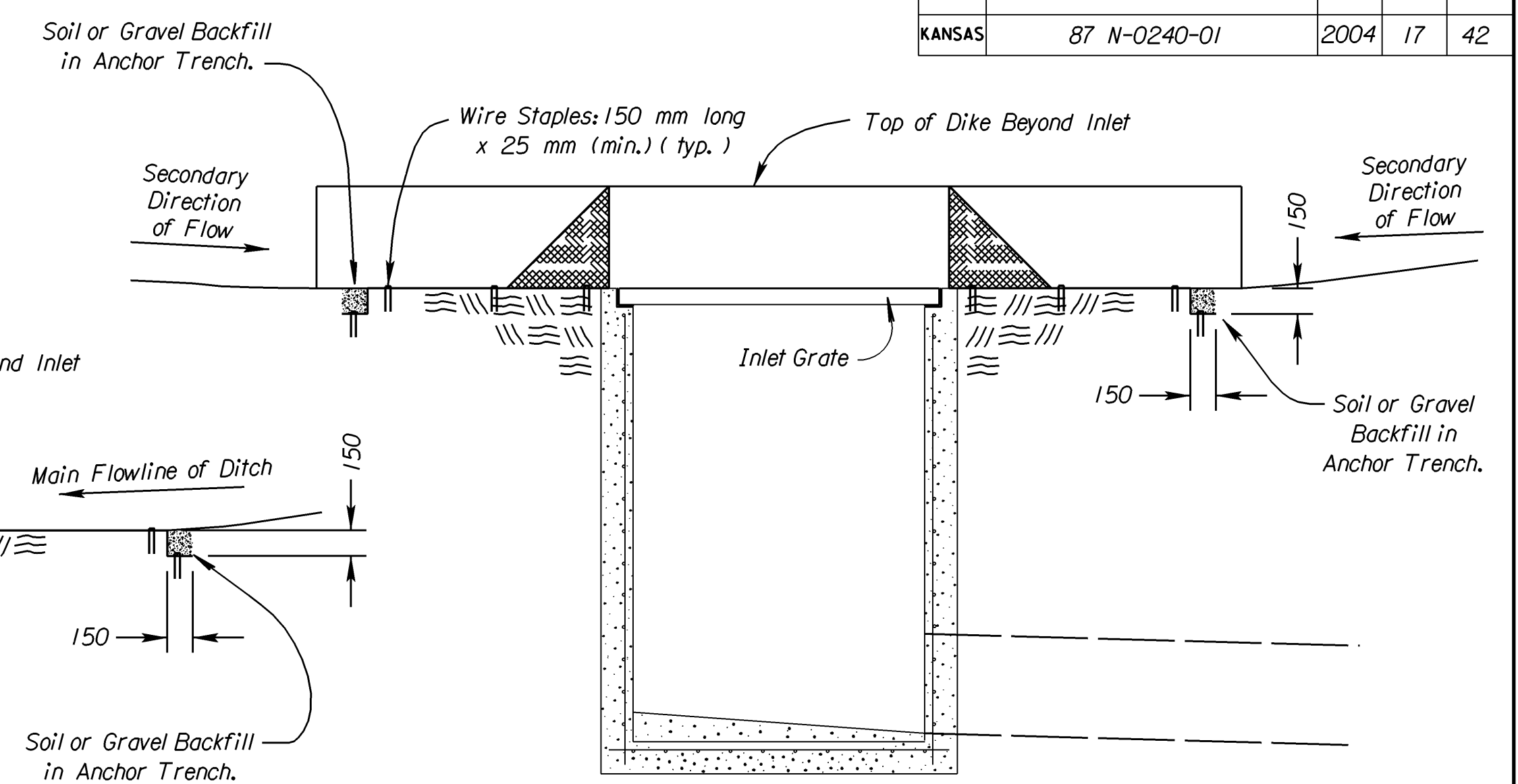
PLAN



SECTION A - A



SECTION B - B



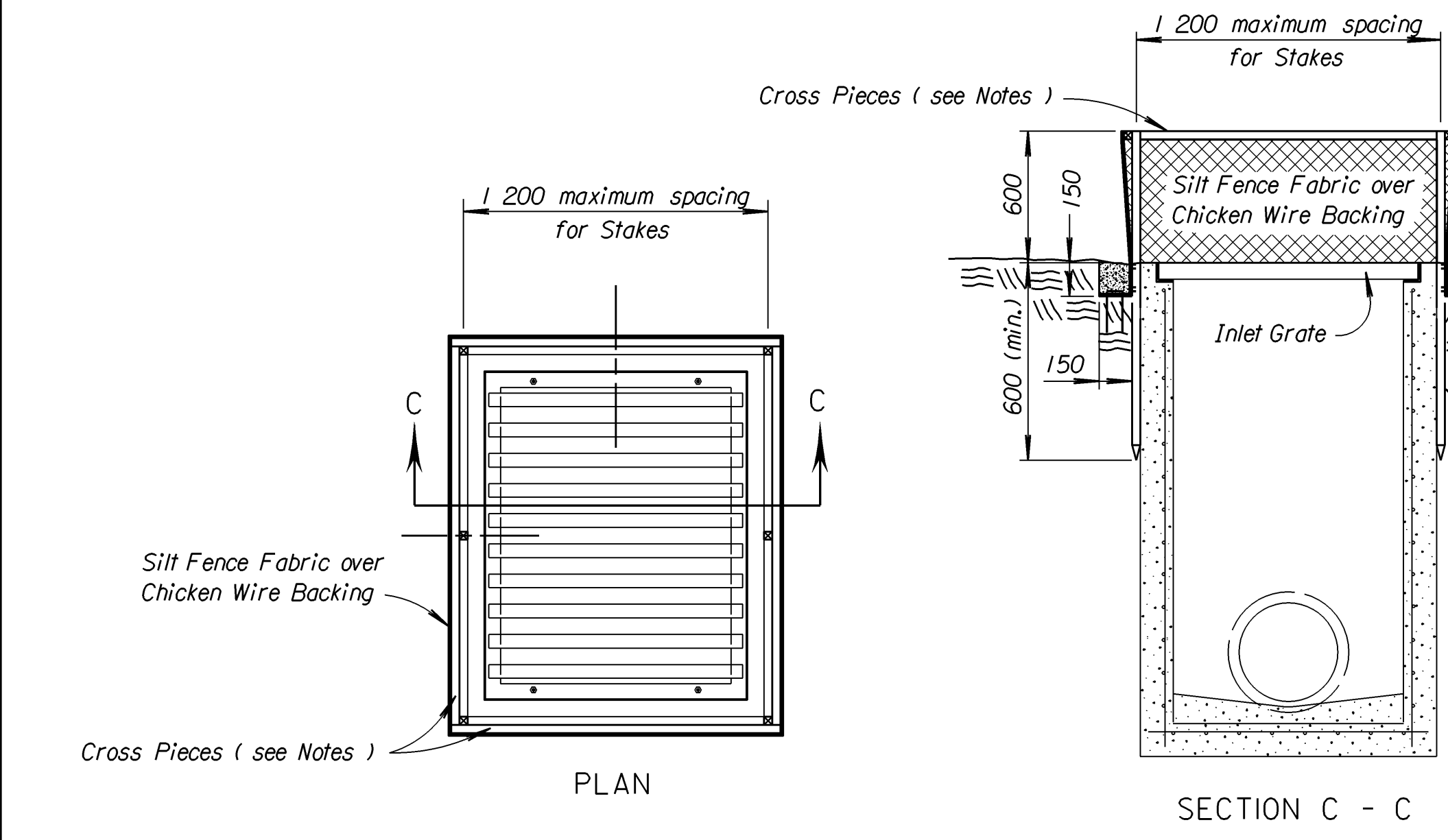
NOTE: The use of Straw or Hay Bales, Silt Fence or Triangular Silt Dike for Temporary Inlet Sediment Barrier is at the option of the Contractor.

STRAW OR HAY BALES:

1. Place bales tightly together, with loose straw or hay wedged between bales to close off openings.
2. Wood stakes shall be 50 mm x 50 mm (nom.) x 1 200 mm (min.) long.
3. Refer to plans sheets to estimate the number of bales required.
4. Use only twine to bind bales. The use of wire binding is prohibited because it does not readily biodegrade.

TEMPORARY INLET SEDIMENT BARRIER (STRAW OR HAY BALE METHOD)

NO SCALE



PLAN

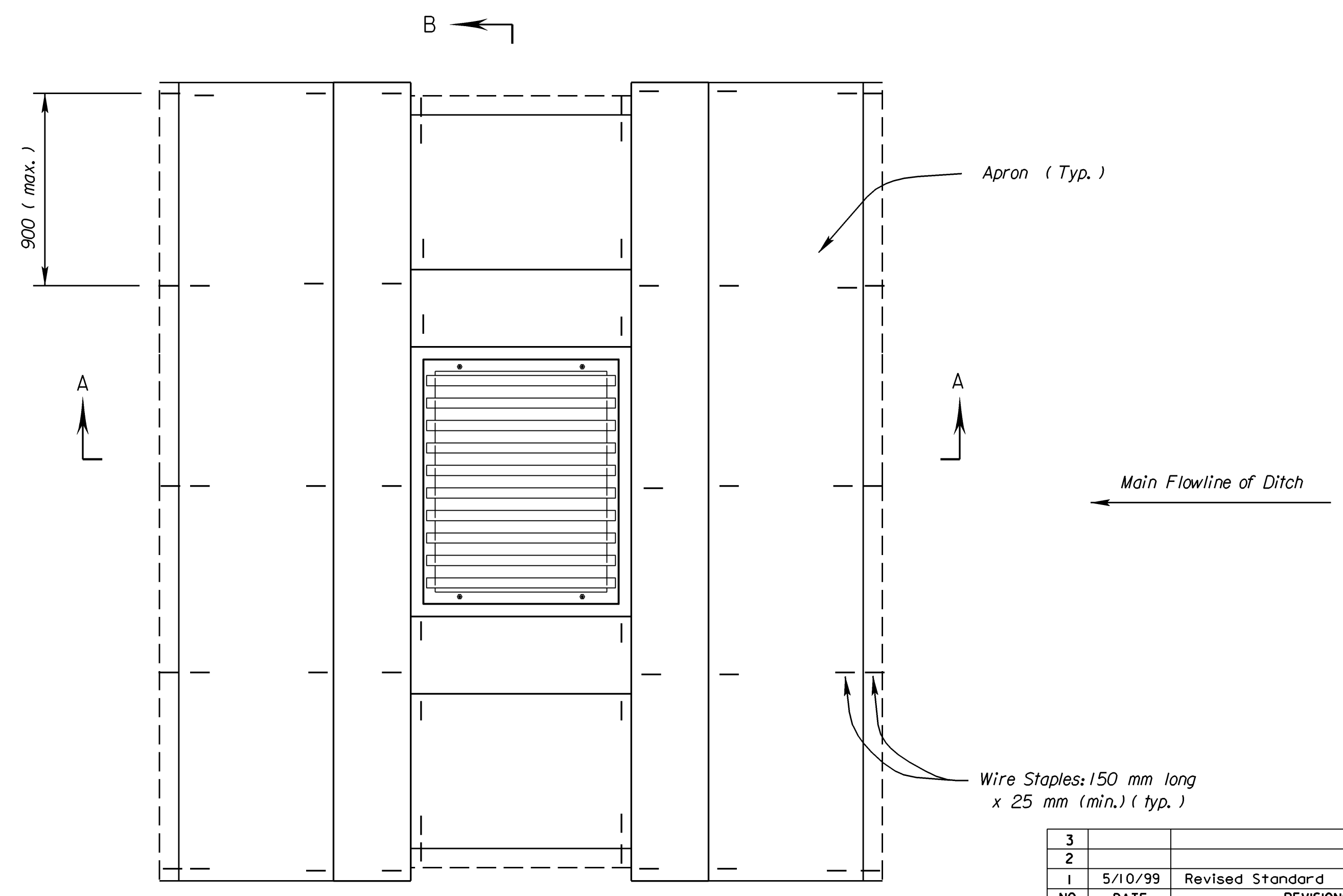
SECTION C - C

SILT FENCE:

1. Stakes shall be 1 200 mm (min.) long and of one of the following materials:
 - a. Hardwood - 30 mm x 30 mm;
 - b. Southern Pine (No. 2) - 65 mm x 65 mm;
 - c. Steel U, T, L, or C Section - 600 grams per 300 mm; or
 - d. Synthetic - same strength as wood stakes.
2. Cross Pieces shall be of same material as Stakes.
3. Attach fence fabric to stakes with staples, wire or nails.
4. Refer to plan sheets to estimate the length of Silt Fence required.

TEMPORARY INLET SEDIMENT BARRIER (SILT FENCE METHOD)

NO SCALE



PLAN

TEMPORARY INLET SEDIMENT BARRIER (TRIANGULAR SILT DIKE METHOD)

NO SCALE

3					
2					
1	5/10/99	Revised Standard		WCL	RDR
NO.	DATE	REVISIONS		BY	APP'D
KANSAS DEPARTMENT OF TRANSPORTATION TEMPORARY EROSION AND POLLUTION CONTROL TEMP. INLET SEDIMENT BARRIER (SILT FENCE) TEMP. INLET SEDIMENT BARRIER (BALES) TEMP. INLET SEDIMENT BARRIER (T.S.D.) LA852C SI					
F.H.W.A. APPROVAL	5/20/99	APP'D		Richard D. Ross	
DESIGNED	WCL	DETAILED	WCL	QUANTITIES	TRACED
DESIGN CK.	RDR	DETAIL CK.	RDR	QUAN. CK.	TRACE CK.

Drawn By: unfiled
 DGN File: \$\$\$\$\$\$DGN\$P\$E\$C\$\$\$\$\$ PLOT 1
 Plotted: 2/5/2004