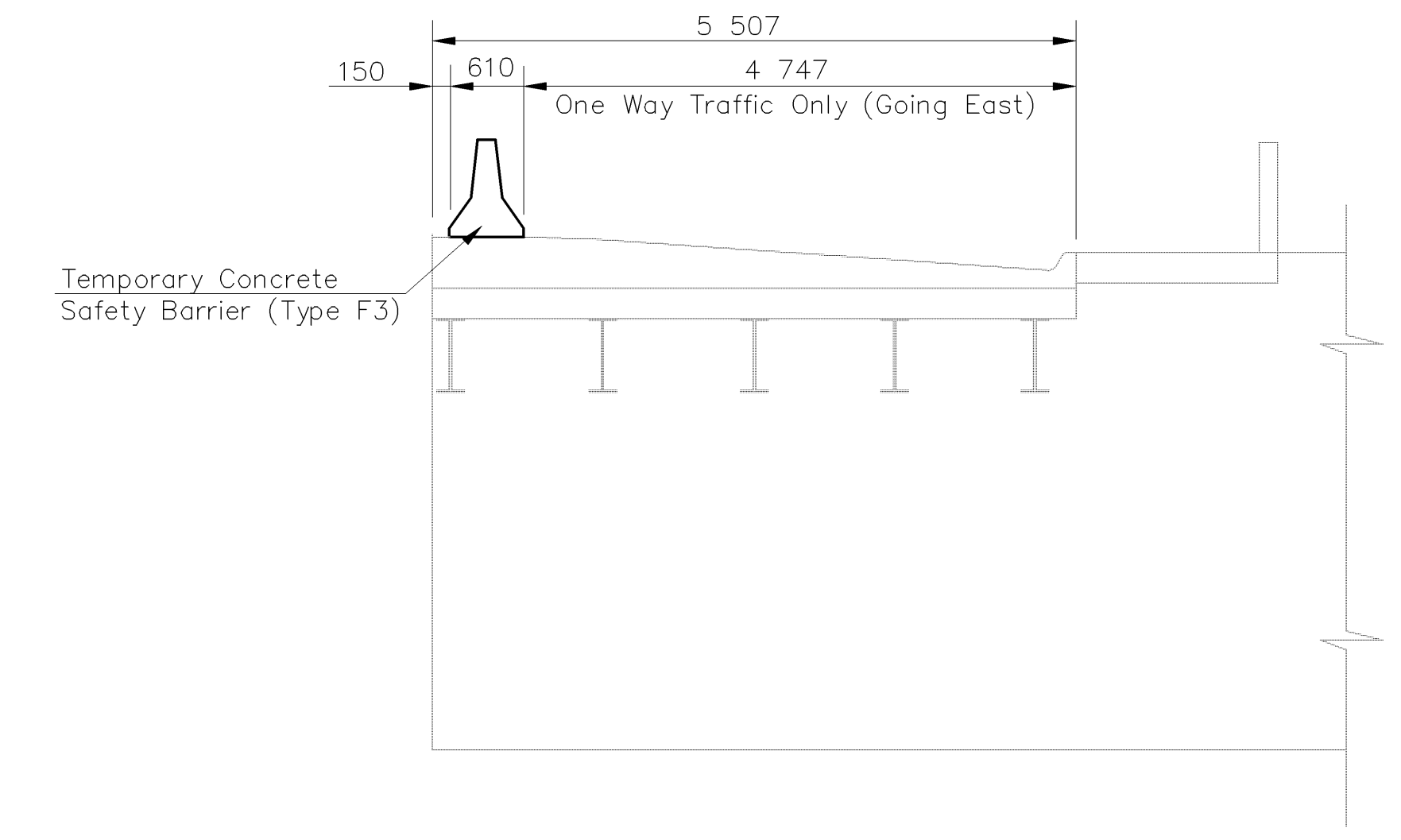
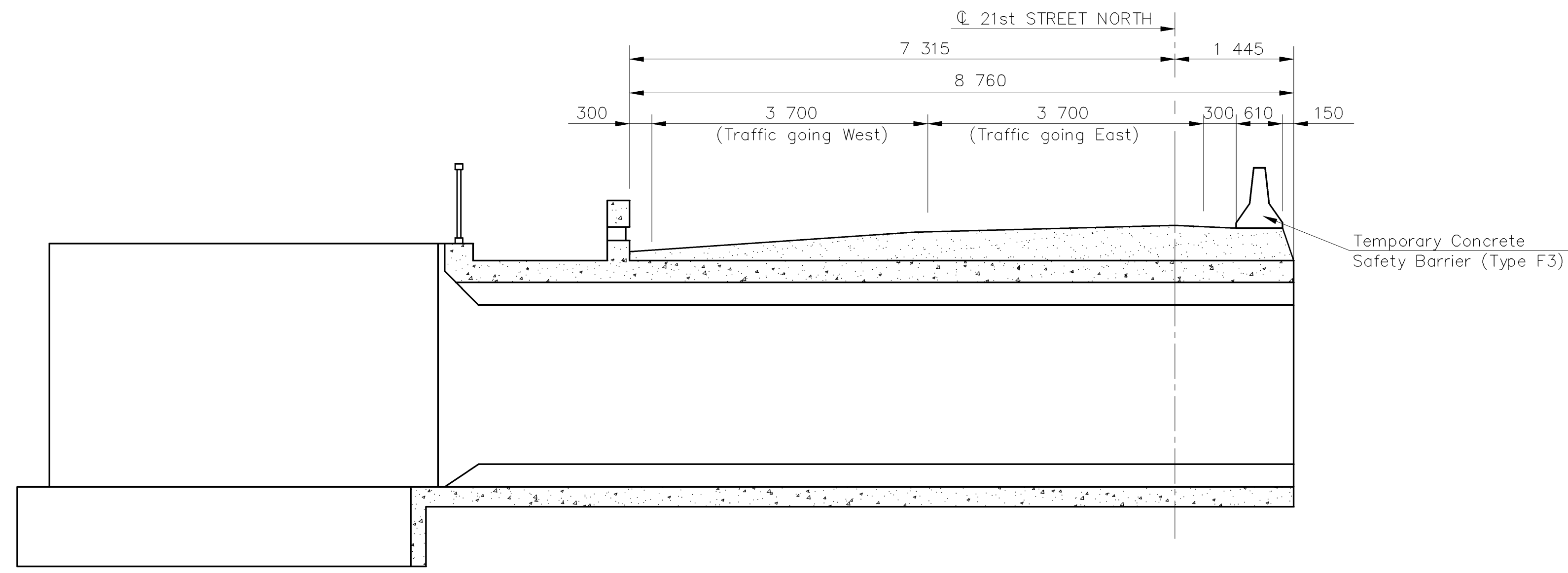


TYPICAL SECTION
(Phase I Construction on Bridge)
Looking Ahead Station



PHASE I TRAFFIC
(Traffic on Existing Structure)



PHASE II TRAFFIC
(Traffic moved to new Structure)

| PHASE | CONSTRUCTION | TRAFFIC ON |
|----------|--|---|
| Phase I | Remove existing structure to limits shown. Relocate existing water line as required. Notify all other utilities regarding relocation of their facilities. Such relocation shall be done in a coordinated and timely fashion. Construct limits of new structure as shown. Complete surfacing along with all incidental work required by the Engineer prior to relocating traffic. | One lane traffic on existing structure going East |
| Phase II | Remove remains of existing structure. Complete new structure. | Two lanes of traffic on new structure. One lane going East and one lane going West. |

21st STREET NORTH
PROJECT NO. 87 N-0240-01
CONSTRUCTION SEQUENCE
BRIDGE OVER WEST BRANCH CHISHOLM CREEK
STA. 1+978

Cook, Flatt & Strobel
ENGINEERS, P.A.

| | | |
|------------|-----|-------|
| DESIGNED | KMB | SCALE |
| DETAILED | DEG | DATE |
| QUANTITIES | DEG | SHEET |
| | | OF |

J:\02518\DWGS\TRAFFIC 1:100 (1:01)