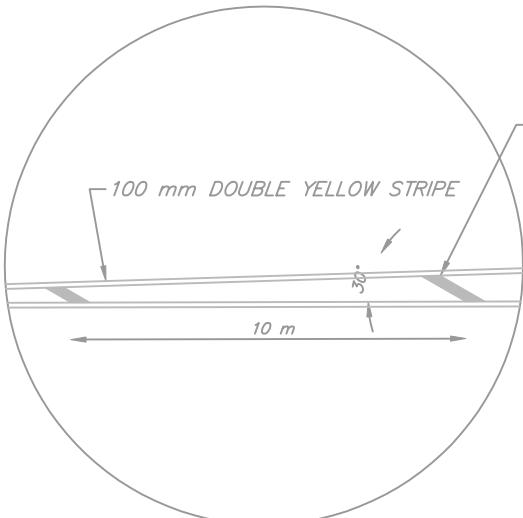
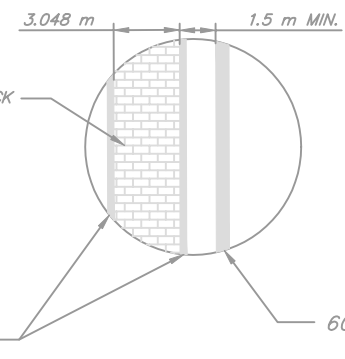
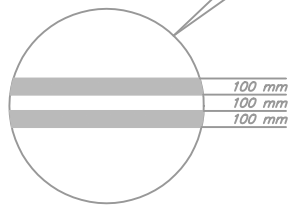
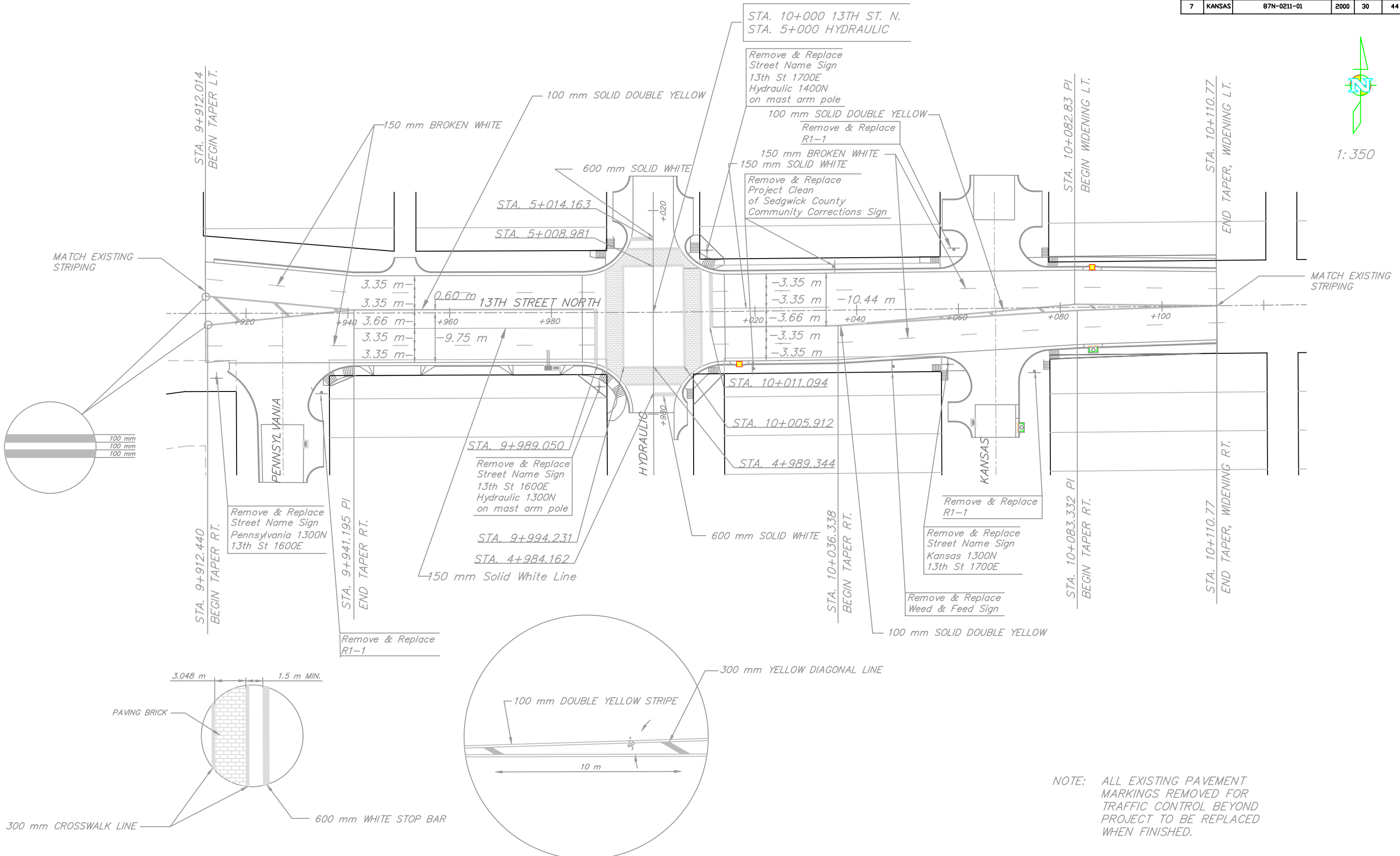


FHWA REG. NO.	STATE	PROJECT NO.	YEAR	SHEET NUMBER	TOTAL SHEETS
7	KANSAS	87N-0211-01	2000	30	44



1:350



NOTE: ALL EXISTING PAVEMENT MARKINGS REMOVED FOR TRAFFIC CONTROL BEYOND PROJECT TO BE REPLACED WHEN FINISHED.