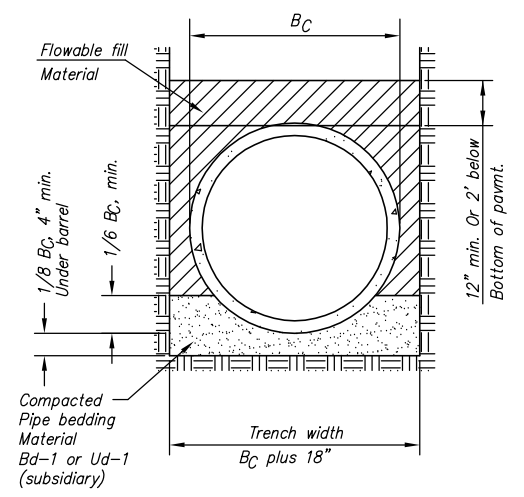
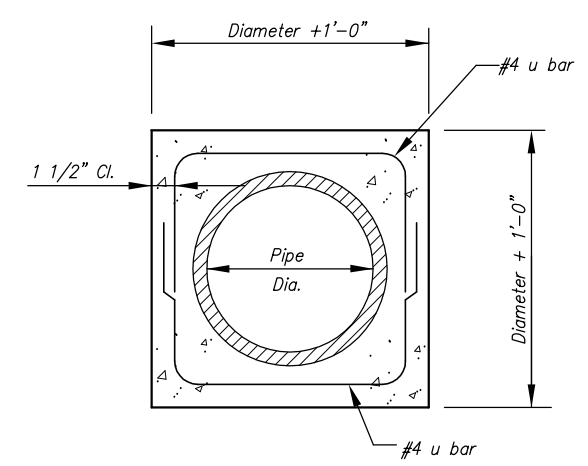


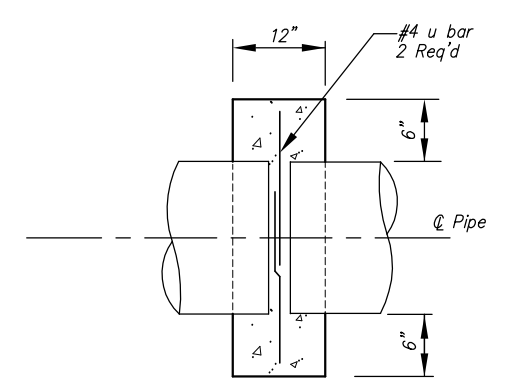
STATE	PROJECT NO.	YEAR	SHEET NO.	TOTAL SHEETS
KANSAS	87 N-0308-01	2005	6	37



DETAIL OF FLOWABLE FILL FOR STORM SEWER PIPE EXCEPT CORRUGATED METAL PIPE.



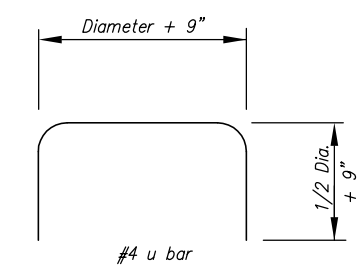
ELEVATION



SECTION

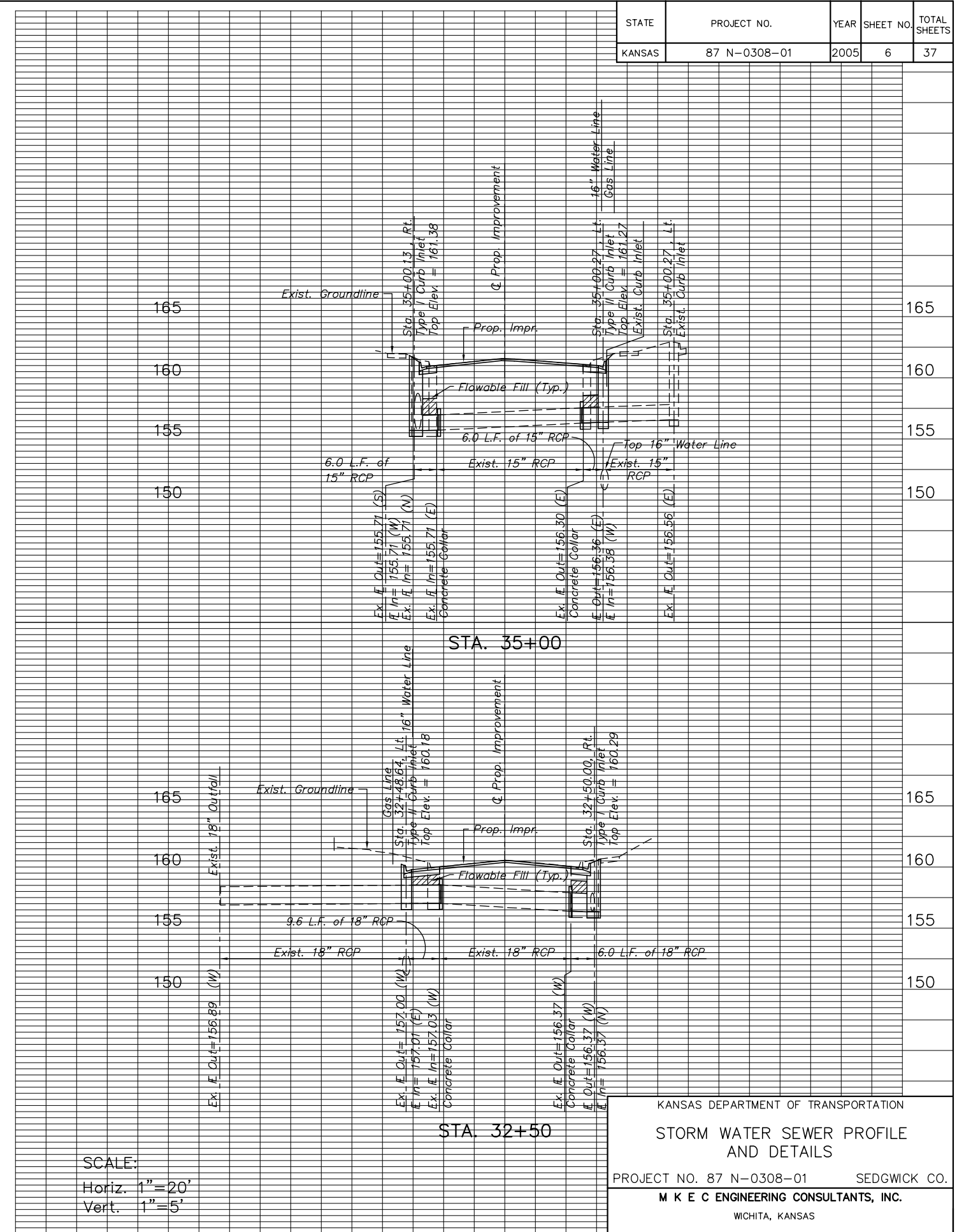
COLLAR DETAIL

Note: Collar shall be subsidiary to other items.



BENDING DIAGRAM

All dimensions are out-to-out of bars



SCALE:
 Horiz. 1"=20'
 Vert. 1"=5'

KANSAS DEPARTMENT OF TRANSPORTATION
 STORM WATER SEWER PROFILE AND DETAILS
 PROJECT NO. 87 N-0308-01 SEDGWICK CO.
 M K E C ENGINEERING CONSULTANTS, INC.
 WICHITA, KANSAS

DESIGNED BY:	JRA	CHECKED BY:	JRA
DRAWN BY:	DPG	DATE:	June 2004
		SHEET	6 OF 37