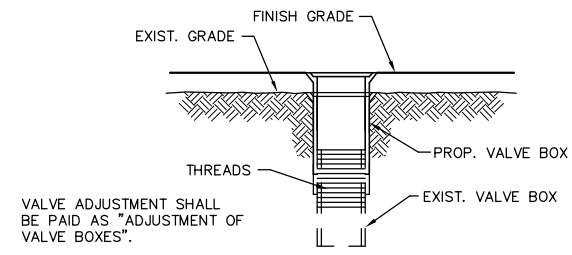


ADJUSTMENT OF VALVE BOXES (WATER)			
STATION	SIDE	QTY.	REMARKS
28+16.40	28.7' Lt.	1	
28+28.96	34.7' Lt.	1	
28+26.89	55.4' Lt.	1	To Fire Hydrant
34+89.34	33.1' Lt.	1	To Water Meter Vault
35+32.93	33.3' Lt.	1	To Fire Hydrant
TOTAL		5	



VALVE ADJUSTMENT SHALL BE PAID AS "ADJUSTMENT OF VALVE BOXES".

VALVE BOX ADJUSTMENT DETAIL

SEE SCHEDULE FOR LOCATION OF VALVE BOXES TO BE ADJUSTED.
(KG&E-GAS WILL SUPPLY MATERIALS AS REQUIRED FOR ALL GAS VALVE BOX ADJUSTMENTS.)

CURB AND GUTTER, COMBINED (AE)					
STATION TO STATION	SIDE	TYPE I (L.F.)	TYPE II (L.F.)	TYPE III (L.F.)	REMARKS
24+25.81 - 27+54.64	Lt.	329	---	---	
24+25.81 - 27+45.19	Rt.	273	42	---	
28+49.44 - 36+00.00	Lt.	633	118	---	
28+40.43 - 36+00.00	Rt.	760	---	527	MEDIANS (Non-Part.)
27+92.85	Rt.	38	29	---	@ WESTPORT SIDEROAD
35+58.53	Lt.	23	---	---	@ PARKING LOT ENTRANCE
TOTAL		2056	189	527	

REINFORCED CONCRETE VALLEY GUTTER			
STATION	SIDE	8" (AE) UNIFORM (S.Y.)	REMARKS
27+92.20	Rt.	190	WESTPORT (E)
28+02.76	Lt.	188	WESTPORT (W)
TOTAL		378	

CONCRETE PAVEMENT (AE)			
STATION	SIDE	6" (AE) (REINF.) (S.Y.)	REMARKS
24+82.82	Rt.	32	Driveway Entrance
27+61.25	Rt.	33	Driveway Entrance on Westport (E)
33+19.18	Lt.	64	Driveway Entrance
35+58.53	Lt.	48	Driveway Entrance
TOTAL		177	

Δ Does not include 6" sidewalk through driveway

COLD MILLING ASPHALT PAVEMENT (2')		
STATION TO STATION	QUANTITY (S.Y.)	REMARKS
24+25.81 - 36+00.00	5574	Excludes medians
TOTAL		5574

REMOVAL OF EXISTING STRUCTURES (FOR INFORMATION ONLY) *			
STATION	OFFSET	DESCRIPTION	
32+50.1	24.9' Lt.	Curb Inlet	
32+50.1	Lt.	18" x 11' RCP	
32+49.9	28.6' Rt.	Curb Inlet and Manhole	
35+00.0	28.4' Lt.	Curb Inlet	
35+00.1	Lt.	15" x 7' RCP	
35+00.0	28.3' Rt.	Curb Inlet and Manhole	

* THE LISTING MAY NOT BE COMPLETE. PAYMENT FOR STRUCTURES OR OBSTRUCTIONS NOT LISTED BUT WHOSE REMOVAL IS REQUIRED BY THE CONSTRUCTION, AS DETERMINED BY THE ENGINEER, SHALL NOT BE PAID FOR DIRECTLY BUT SHALL BE INCLUDED IN THE BID ITEM "REMOVAL OF EXISTING STRUCTURES".

SIDEWALK CONSTRUCTION (AE)					
LOCATION		4" Thick (S.F.)	4" CURBED (S.F.)	6" Thick (S.F.)	REMARKS
STATION TO STATION	SIDE				
24+50.22 - 27+67.40	Lt.	585	1530	---	
28+36.39 - 36+00.00	Lt.	3069	---	349	
28+31.00 - 28+41.00	Rt.	60	---	---	
TOTAL		3714	1530	349	

WHEELCHAIR RAMP - TYPE A			
STATION	SIDE	QUANTITY (Each)	REMARKS
27+65.78	Rt.	1	
27+76.86	Lt.	1	
28+21.08	Rt.	1	
28+27.27	Lt.	1	
TOTAL		4	

A. C. PAVEMENT (BM-2)				
LOCATION	A.C. WEARING SURFACE (2") (S.Y.)	A.C. BIT. BASE (PG 70-28) (3") (S.Y.)	A.C. BIT. BASE (PG 70-28) (5") (S.Y.)	REMARKS
STATION TO STATION				
24+25.81 - 36+00.00	1282	---	1282	WIDENING
24+25.81 - 36+00.00	5574	---	---	OVERLAY
27+92.85, Rt.	114	114	---	WESTPORT
35+58.53, Lt.	46	46	---	PARKING
TOTAL		7016	160	1282

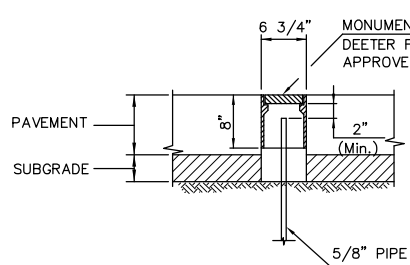
REINFORCED CRUSHED ROCK BASE				
LOCATION	CRUSHED ROCK BASE (5") (S.Y.)	CRUSHED ROCK BASE (8") (S.Y.)	GEOGRID REINFORCEMENT (FOR BASE) (S.Y.)	REMARKS
STATION TO STATION				
24+25.81 - 36+00.00	---	2194	2194	WIDENING
27+92.20, Rt.	164	---	164	VALLEY GUTTER
28+02.76, Lt.	162	---	162	VALLEY GUTTER
27+92.85, Rt.	140	---	140	WESTPORT (S.R.)
35+58.53, Lt.	55	---	55	PARKING
29+76.79 - 31+21.33	---	88	88	MEDIAN (Non-Part.)
33+46.53 - 34+56.58	---	67	67	MEDIAN (Non-Part.)
TOTAL		521	2349	2870

SCHEDULE OF STORM SEWER INLET AND MANHOLES							
STATION	SIDE	CONSTRUCT OR INSTALL				CONCRETE COLLAR (Each) #	FLOWABLE FILL (L.F.)
		TYPE I INLET (Each)	TYPE II INLET (Each)	15" RCP (L.F.)	18" RCP (L.F.)		
32+48.68	Lt.	---	1	---	9.6	1	9.6
32+50.00	Rt.	1	---	---	6.0	1	6.0
35+00.13	Rt.	1	---	6.0	---	1	6.0
35+00.27	Lt.	---	1	6.0	---	1	6.0
TOTAL		2	2	12.0	15.6	4	27.6

Subsidiary to Storm Sewer Pipe

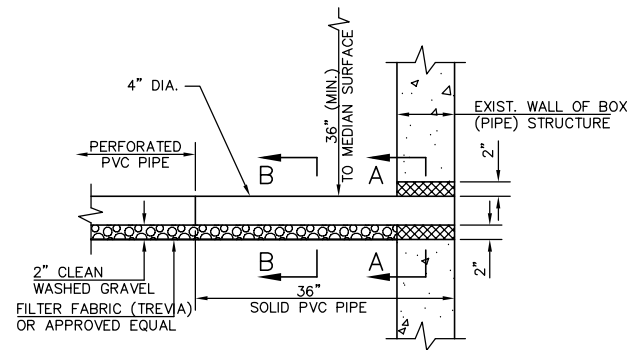
EARTHWORK								
STATION TO STATION	PAVEMENT REMOVAL (Sq. Yds.)	EXCAVATION			COMPACTION		SELECT SOIL (Cu. Yds.)	REMARKS
		CURB REMOVAL (Lin. Ft.)	SIDEWALK REMOVAL (Sq. Yds.)	COMMON (Cu. Yds.)	95% ASTM (Cu. Yds.)	TYPE B MR-90 (Cu. Yds.)		
PARTICIPATORY:								
24+25.81 - 36+00.00	825	2161	593	1306		453	12	(EXCLUDE MEDIANS)
NON-PARTICIPATORY:								
24+25.81 - 36+00.00	303	---	---	104		26	---	
TOTAL		1128	2161	593	1410	479	12	168

† WASTE DISPOSAL IS SUBSIDIARY © CONTRACTOR FURNISHED



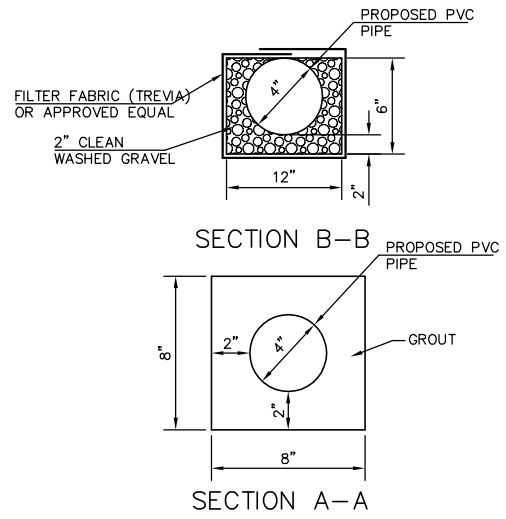
MONUMENT BOX DETAIL

NOTE: ALL EQUIPMENT AND LABOR NECESSARY FOR THE INSTALLATION OF THE MONUMENT BOX SHALL BE SUBSIDIARY TO THE BID ITEM "MONUMENT BOX".



PIPE CONNECTION TO STRUCTURES DETAIL

CONTRACTOR TO REMOVE 8" x 8" SECTION FROM EXISTING BOX CULVERT (OR PROPOSED PIPE CULVERT) AND PATCH AROUND 4" (SOLID) PVC PIPE.



RECAPITULATION OF ROAD QUANTITIES		
BID ITEM	QUANTITY	UNIT
PARTICIPATORY:		
SAWED JOINT	180	Lin. Ft.
CURB REMOVAL	2161	Lin. Ft.
SIDEWALK REMOVAL	600	Sq. Yd.
PAVEMENT REMOVAL	825	Sq. Yd.
REMOVAL OF EXISTING STRUCTURES	1	L.S.
EXCAVATION	1306	Cu. Yd.
COMPACTED FILL (95% Density)	453	Cu. Yd.
COMPACTED FILL (TYPE B)(MR-90)	12	Cu. Yd.
CONCRETE PAVEMENT (DRIVEWAY) (6")	177	Sq. Yd.
RCVG PAVEMENT (7")	378	Sq. Yd.
5" BITUMINOUS BASE	1282	Sq. Yd.
3" BITUMINOUS BASE	160	Sq. Yd.
2" MILLING	5574	Sq. Yd.
2" A.C. SURFACE COURSE	7016	Sq. Yd.
REINFORCED CRUSHED ROCK BASE (8")	2194	Sq. Yd.
REINFORCED CRUSHED ROCK BASE (5")	521	Sq. Yd.
COMBINED CURB AND GUTTER	2245	Lin. Ft.
SIDEWALK CONCRETE (4")	3714	Sq. Ft.
SIDEWALK CONCRETE (4")(SPECIAL)	1530	Sq. Ft.
SIDEWALK CONCRETE (6")	349	Sq. Ft.
WHEELCHAIR RAMP	4	Each
TYPE I CURB INLET	2	Each
TYPE II CURB INLET	2	Each
15" RCP STORM SEWER	12	Lin. Ft.
18" RCP STORM SEWER	16	Lin. Ft.
FLOWABLE FILL (LOW STRENGTH)	28	Lin. Ft.
EROSION CONTROL BMP	1	Lump Sum
SODDING	1200	Sq. Yd.
PAVEMENT MARKING	1	Lump Sum
STREET SIGNAGE	1	Lump Sum
TRAFFIC CONTROL	1	Lump Sum
SITE CLEANING AND RESTORATION	1	Lump Sum
MOBILIZATION	1	Lump Sum
NON-PARTICIPATORY:		
SAWED JOINT	527	Lin. Ft.
PAVEMENT REMOVAL	303	Sq. Yd.
EXCAVATION	104	Cu. Yd.
COMPACTED FILL (95% Density)	26	Cu. Yd.
COMBINED CURB AND GUTTER	527	Lin. Ft.
REINFORCED CRUSHED ROCK BASE (8")	155	Cu. Yd.
SELECT SOIL	168	Cu. Yd.
SODDING	202	Sq. Yd.
STREET NAME SIGNS	1	Lump Sum
TREES	5	Each

FOR SEEDING AND SODDING QUANTITIES SEE SHEET NO. 20
FOR PAVEMENT MARKING QUANTITIES SEE SHT. NO. 21
FOR SIGNING QUANTITIES SEE SHT. NO. 24