

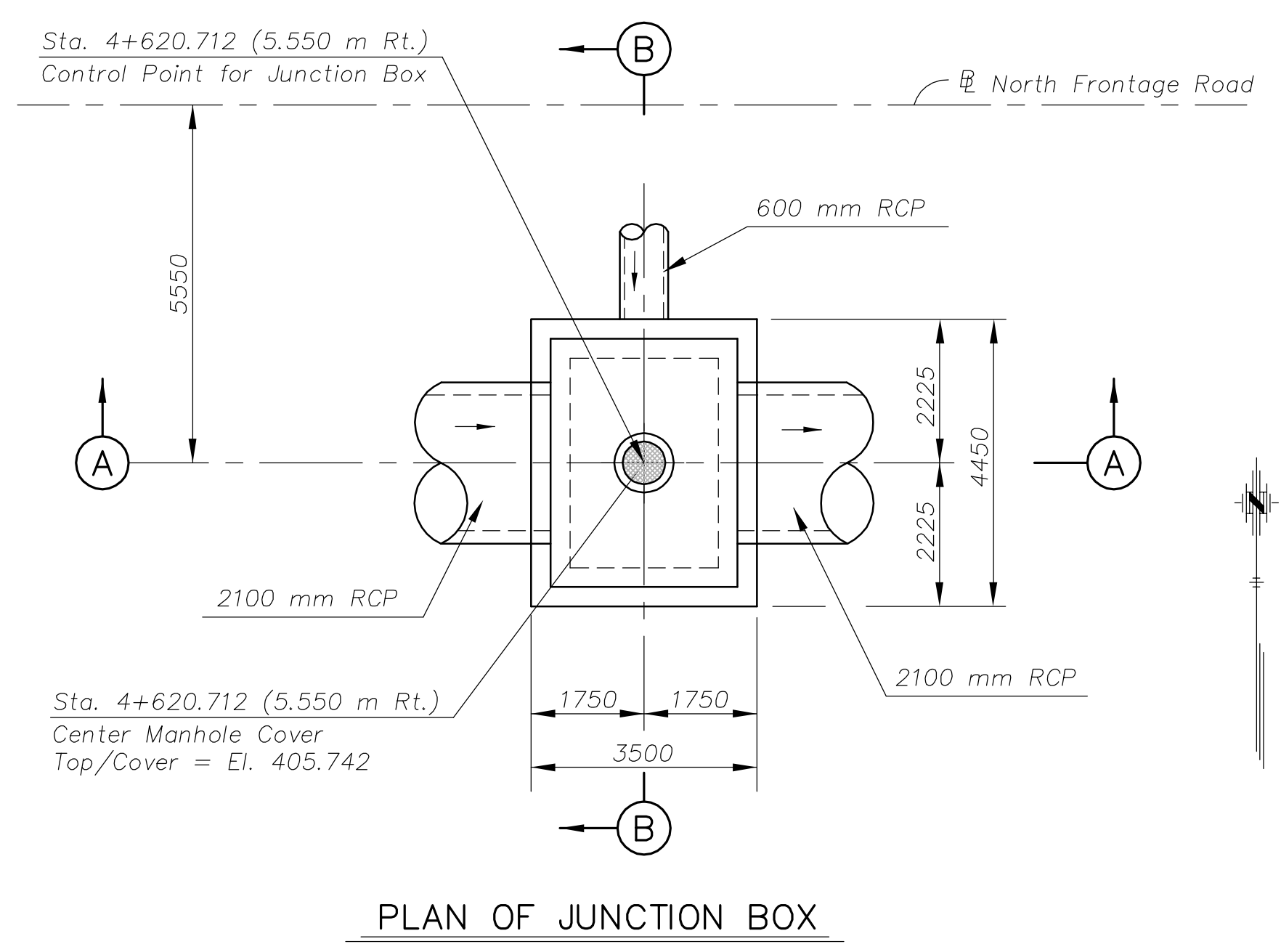
F.H.W.A. REGION NO.	STATE	PROJECT NO.	YEAR	SHEET NO.	TOTAL SHEETS
7	KANSAS	54-87 K-8258-05	2003	20	51

E.F. INDICATES EACH FACE.
N.F. INDICATES NEAR FACE.
F.F. INDICATES FAR FACE.

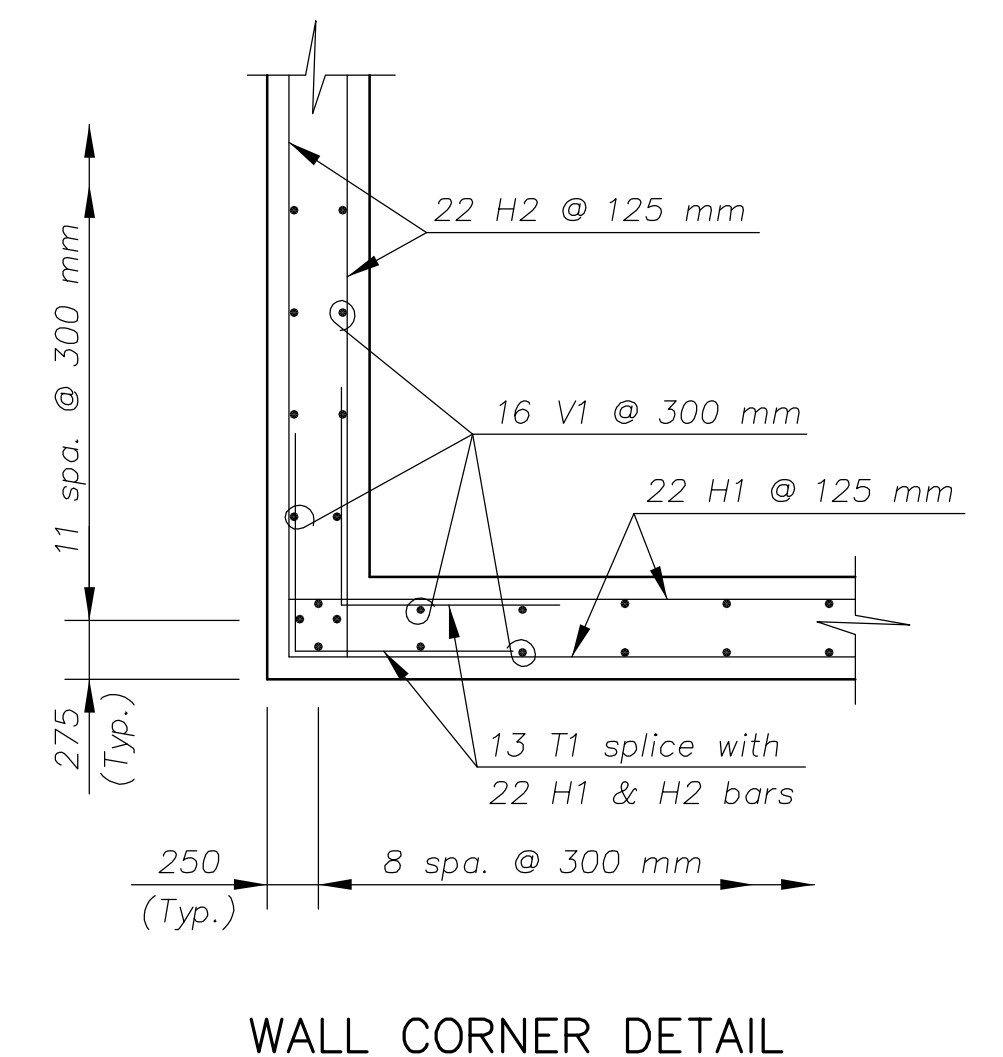
GENERAL NOTES

- CONCRETE:**
Concrete Grade 30 (AE) shall be used throughout. Bevel all exposed edges with a 20 mm triangular molding, unless otherwise noted.
- REINFORCING:**
All reinforcing shall conform to ASTM A615M, Grade 420 and shall be epoxy coated. All dimensions relative to the placement of reinforcing steel shall be to the centerline of bar unless otherwise noted.
- OPENINGS:**
No reduction in concrete quantities shall be made for any opening for pipes or manhole covers.
- CONSTRUCTION JOINTS:**
Construction Joints shown are optional, but if used shall be made at locations shown or approved by the Engineer.
- FLOOR SHAPING:**
Floor of Junction Box shall be shaped as shown on this sheet or Standard Drawing RD730SI with unreinforced concrete. No additions in concrete quantities shall be made for shaping of Junction Box floor.
- CASTINGS:**
All castings shall be gray iron and shall comply with the City Standard Specification. Castings for this structure shall not be paid for directly but shall be *subsidiary* to Concrete Grade 30 (AE).
- EXCAVATION:**
Excavation shall not be paid for directly but shall be *subsidiary* to Concrete Grade 30 (AE).
- FOUNDATION STABILIZATION:**
Foundation Stabilization may be required as directed by the Engineer. The depth of the Foundation Stabilization shall be determined by the Engineer. Foundation Stabilization shall be paid for at the determined Unit Price set for Foundation Stabilization.

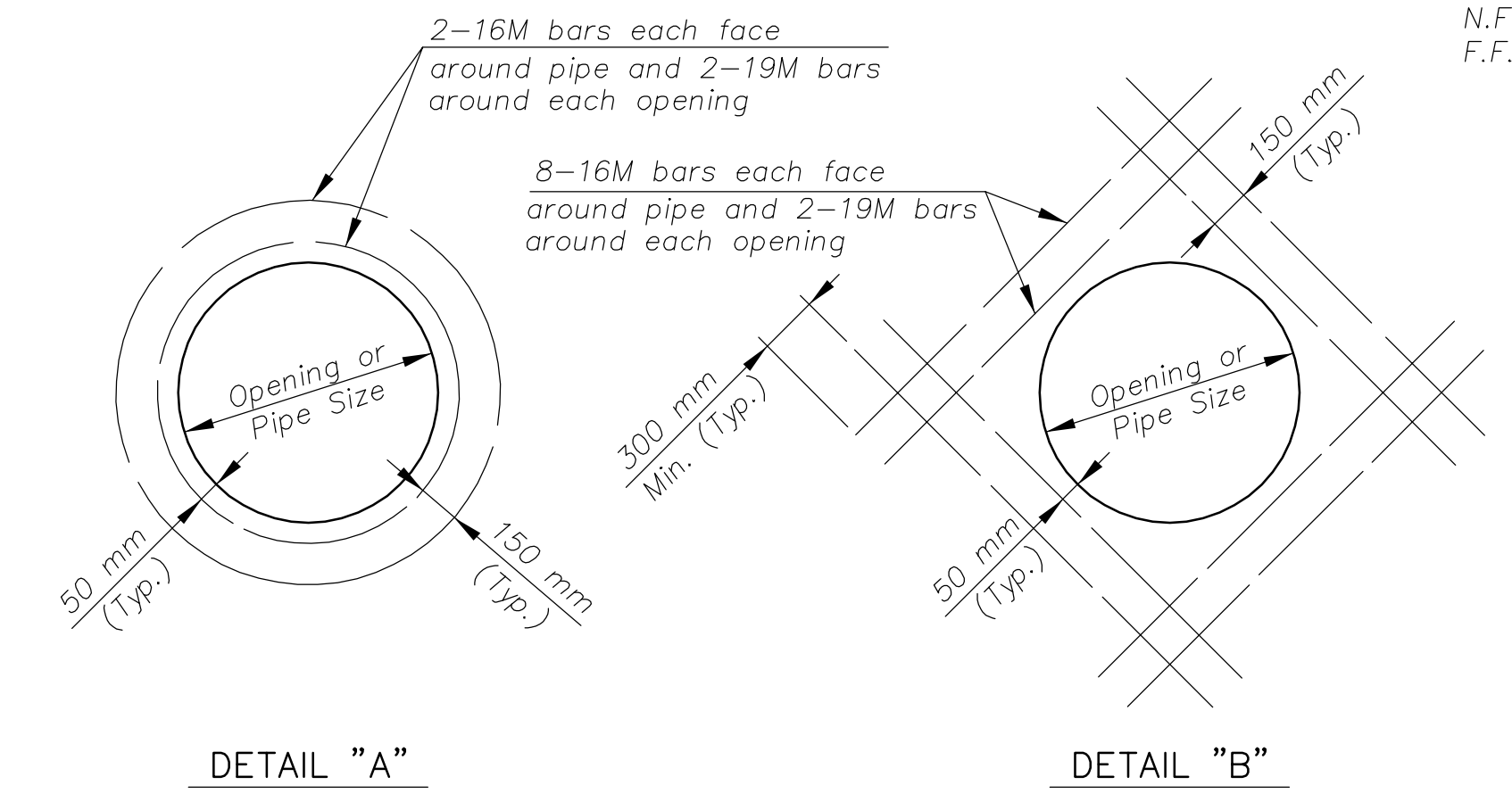
* Not paid for directly, *subsidiary* to Concrete Grade 30 (AE).



PLAN OF JUNCTION BOX



WALL CORNER DETAIL

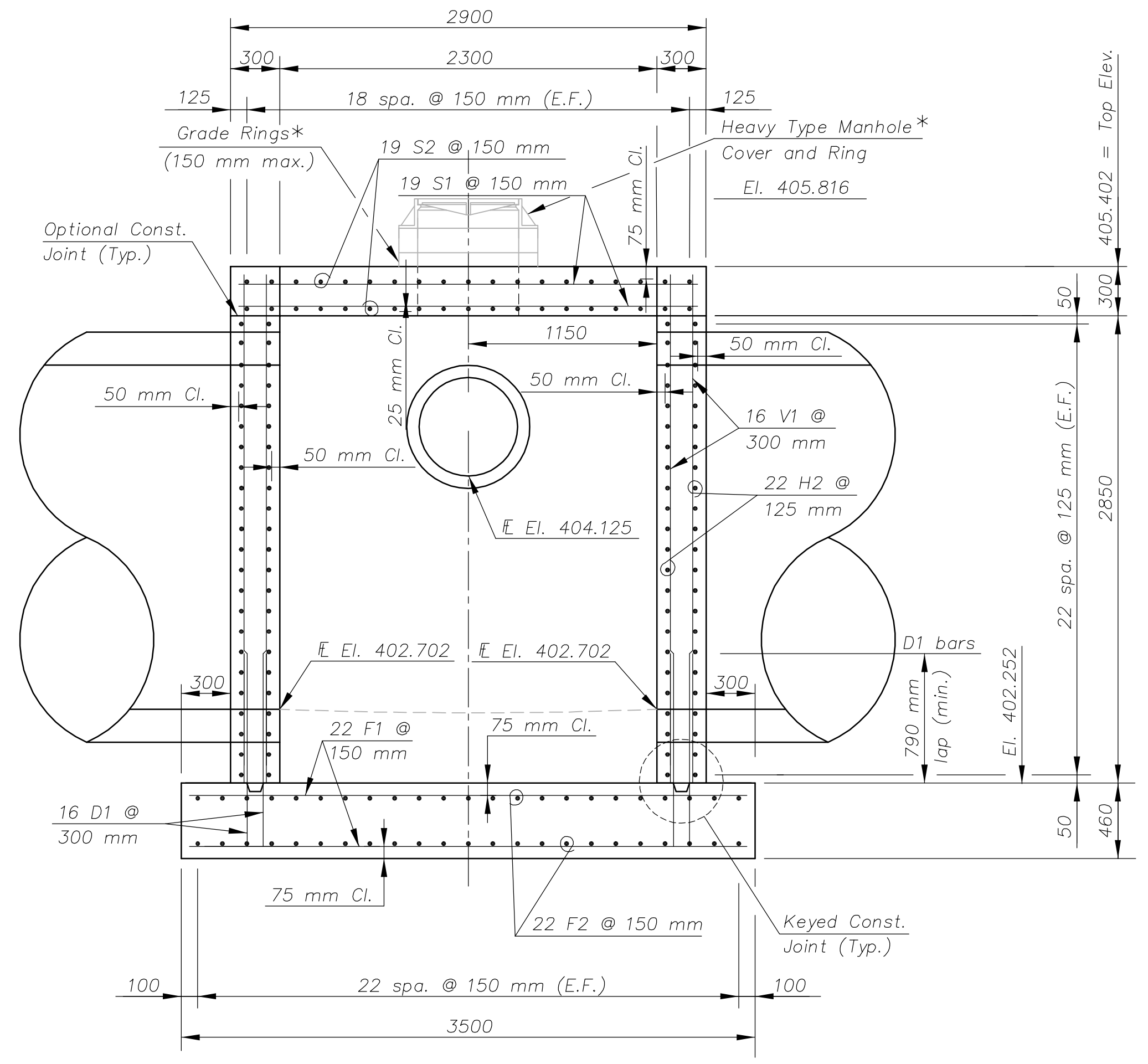


DETAIL "A"

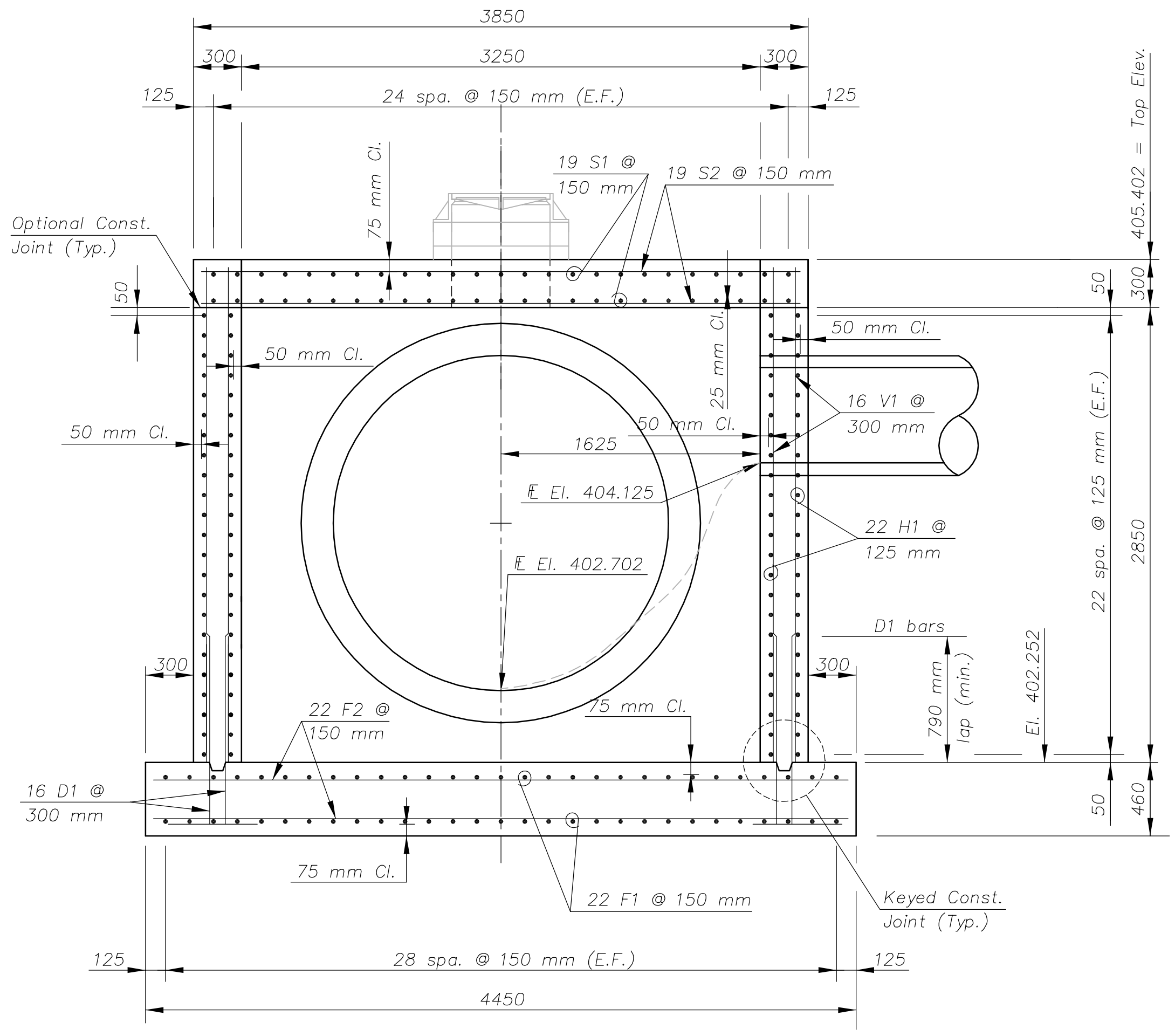
DETAIL "B"

ADDITIONAL REINFORCING AT OPENINGS OR PIPE LOCATIONS

NOTE: Additional reinforcing shall be added as shown in Detail "A" or "B" depending upon the opening or pipe location in the Junction Box. The reinforcing shall be bent as required to maintain 50 mm clearance to the pipe or concrete face. This reinforcing shall not be paid for directly but shall be considered *subsidiary* to "Reinforcing Steel Grade 420 (Epoxy Coated)".



SECTION A-A



SECTION B-B

STRAIGHT BARS				BENDING DIAGRAMS	
MARK	SIZE	NO.	LENGTH	NOTE: All dimensions are out to out of bars.	
H1	22	92	2800	Vertical Leg	1175
H2	22	92	3750		
F1	22	58	3400		
F2	22	46	4350		
S1	19	38	2800	D1	640
S2	19	50	3750		
D1	16	84	1580	T1	640
V1	16	84	3050		
T1	13	184	1280		

SUMMARY OF QUANTITIES		
Concrete Grade 30 (AE)		21.4 cu m
Reinforcing Steel Grade 420 (Epoxy Coated)		4540 kg

2.					
1.	02/27/03	Revise Box		FAH	RSC
NO.	DATE	REVISION		BY	APP'D

KANSAS DEPARTMENT OF TRANSPORTATION
SPECIAL STORM SEWER JUNCTION BOX
Sta. 4+620.712 North Frontage Rd.
Structure No. 1201

DATE	
BY	
REFERENCE NOTED	
REFERENCE CHECKED	

Drawn by: JCT_BOX
Plotted: SCALE 1:250

