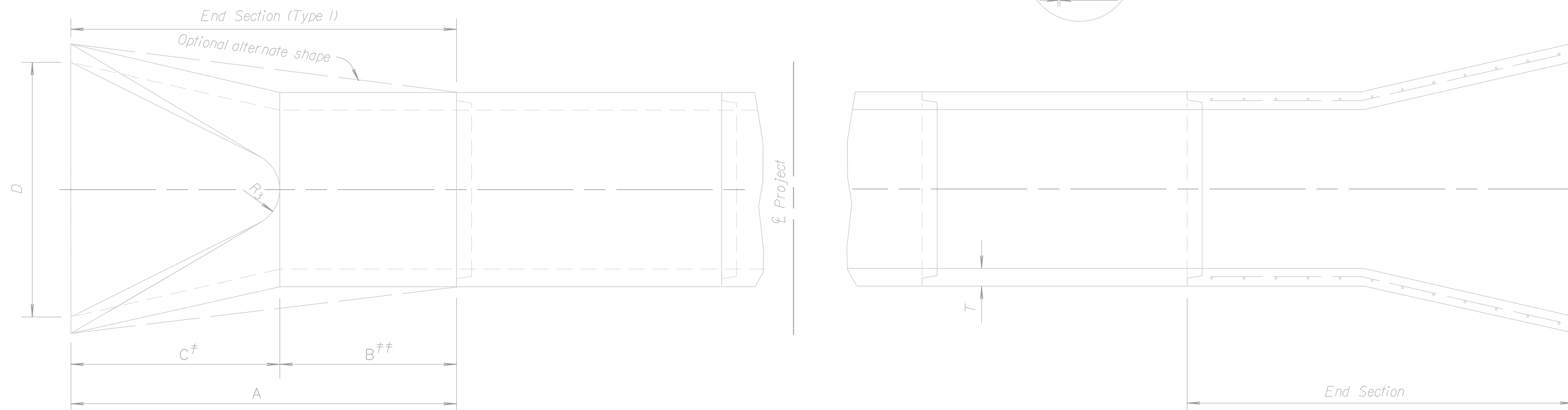


ELEVATION AND SECTION

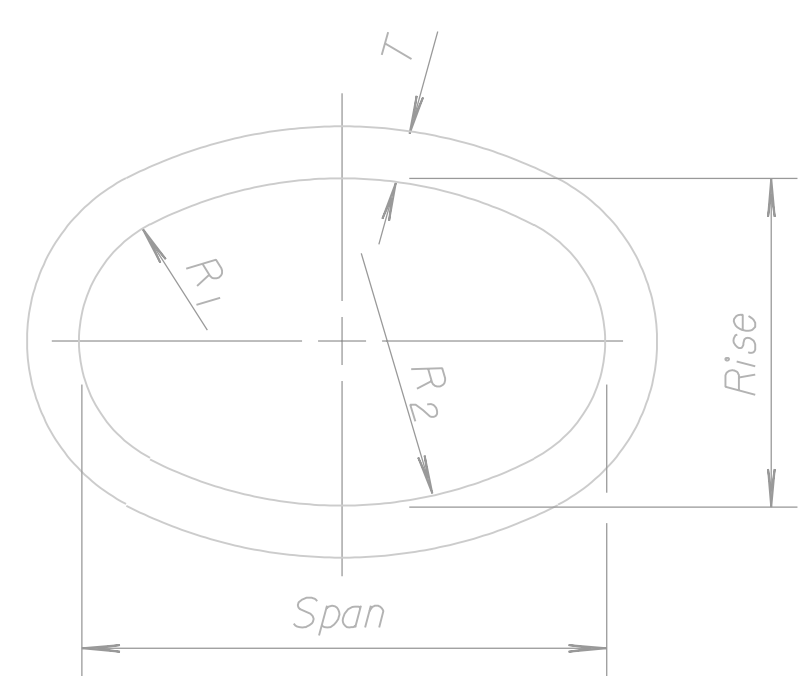
FLARED END SECTION ELEVATION

Note: Gain in length due to joint fit tolerance will not be paid for.  

 1/4" max.



PLAN AND SECTION



END ELEVATION

Note: The culverts listed on this sheet may or may not indicate that the culvert installed will be reinforced concrete, steel, or aluminum. Design of end section shall conform to standard reinforced concrete horizontal elliptical pipe. Slight variations in the dimensions specified will be allowed.

END SECTION (TYPE I) NOMINAL DIMENSIONS

Bid Designation Sq. Ft.	Min. W.W. Area Sq. Ft.	Span	Rise	Overall Length A	Barrel Length B †	C †	D	E	R <sub>1</sub>	R <sub>2</sub>	R <sub>3</sub>	T
1.0 or 1.5	1.8	23"	14"	6'-0"	3'-9"	2'-3"	3'-0"	8"	6"	20"	6"	2 3/4"
2.0, 2.5 or 3.0	3.3	30"	19"	6'-0"	2'-9"	3'-3"	4'-0"	8 1/2"	8 1/4"	26 1/4"	7"	3 1/4"
4.0	4.1	34"	22"	6'-0"	2'-2"	3'-10"	4'-6"	9"	9 1/4"	29 17/32"	8"	3 1/2"
5.0	5.1	38"	24"	6'-0"	1'-6"	4'-6"	5'-0"	9 1/2"	10 1/4"	32 3/4"	9"	3 3/4"
6.0	6.3	42"	27"	6'-0"	1'-3"	4'-9"	5'-6"	10 3/8"	11 7/16"	36 3/16"	10 1/2"	3 3/4"
7.0	7.4	45"	29"	8'-0"	3'-0"	5'-0"	6'-0"	11 1/4"	12 1/4"	39 1/4"	12"	4 1/2"
8.5	8.8	49"	32"	8'-0"	3'-0"	5'-0"	6'-3"	12"	13 9/16"	42 21/32"	12 1/2"	4 3/4"
10.0	10.2	53"	34"	8'-0"	3'-0"	5'-0"	6'-6"	15 3/4"	14 3/4"	46"	13"	5"
11.0 or 12.5	12.9	60"	38"	8'-0"	3'-0"	5'-0"	7'-0"	21"	16 1/2"	51 3/4"	14"	5 1/2"
14.0 or 16.5	16.6	68"	43"	8'-0"	3'-0"	5'-0"	7'-6"	25 1/2"	18 2/32"	58 1/32"	16"	6"

† Paid for as separate item of "End Sections".  
 †† Included in pay length of pipe.

PIPE CULVERT SUMMARY

Station	Location	Type	Bid Designation Sq. Ft.	Crown Grade Elev.	Flow line		Horizontal Roadway		Degree of Rotation	Length of Pipe		Lin. Ft. of Pipe	End Sects.						
					LT.	RT.	LT.	RT.		LT.	RT.		Type I	Type III	LT.	RT.			

1	6-16-95	Revised table & labeling	R.J.S.	J.O.B.
NO.	DATE	REVISIONS	BY	APP'D

KANSAS DEPARTMENT OF TRANSPORTATION

CONCRETE END SECTION FOR REINFORCED CONCRETE HORIZONTAL ELLIPTICAL PIPE TYPE I

RD663

DESIGNED	7-31-95	APP'D	JAMES O. BREWER
DESIGN CK.	DETAIL CK.	QUAN. CK.	TRACE CK. SEITZ

Drawn By: USERNAME\$ Plotted: \$SYTIME\$  
 File: \$DGN\$SPEC\$