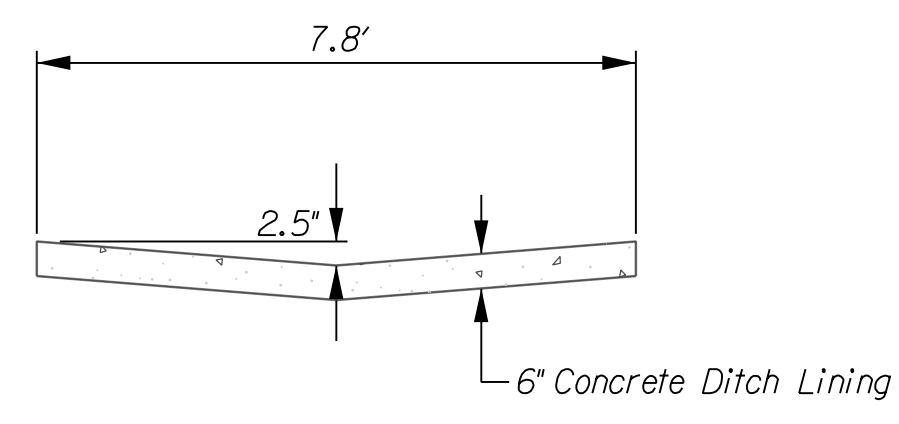
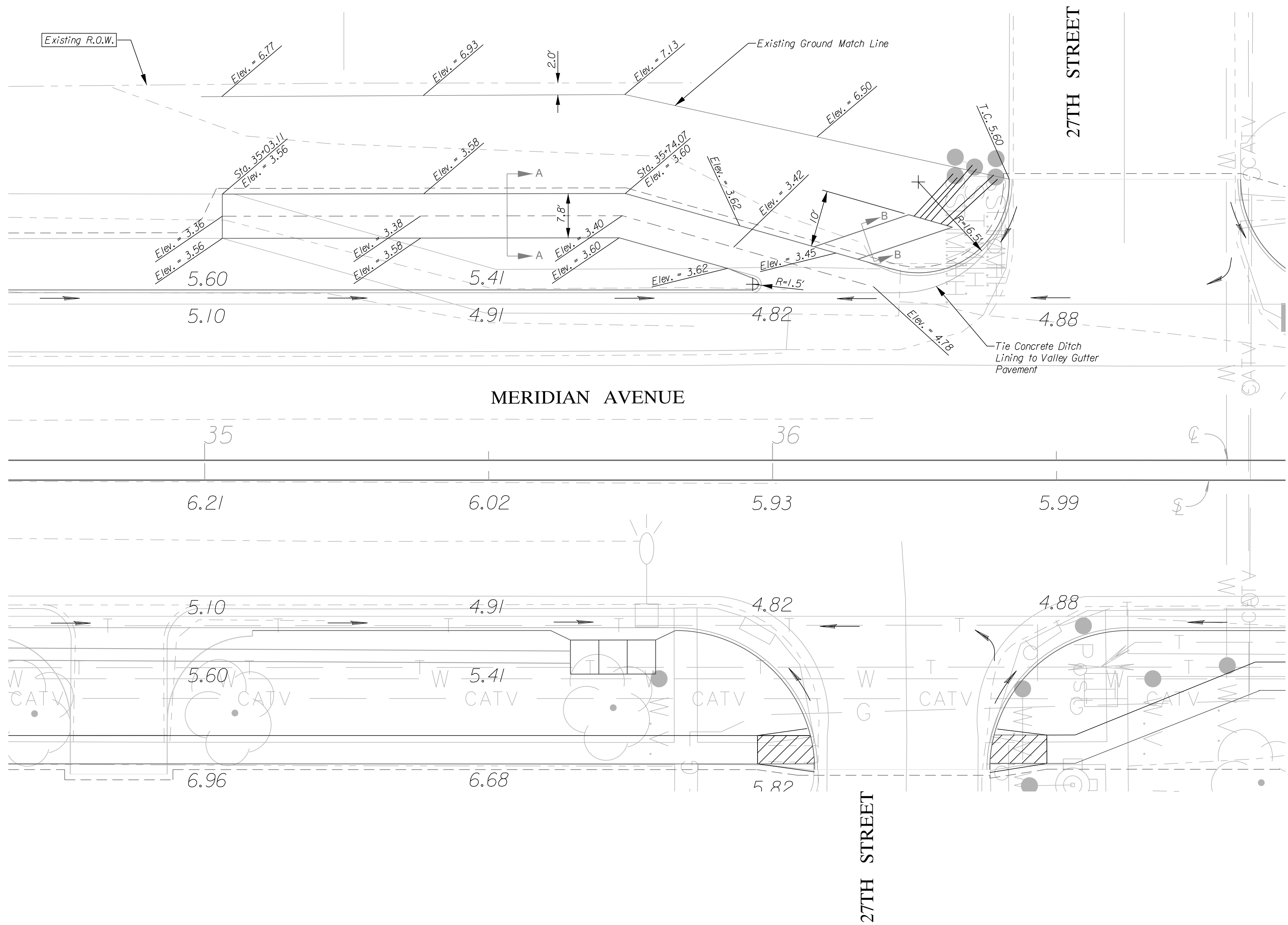
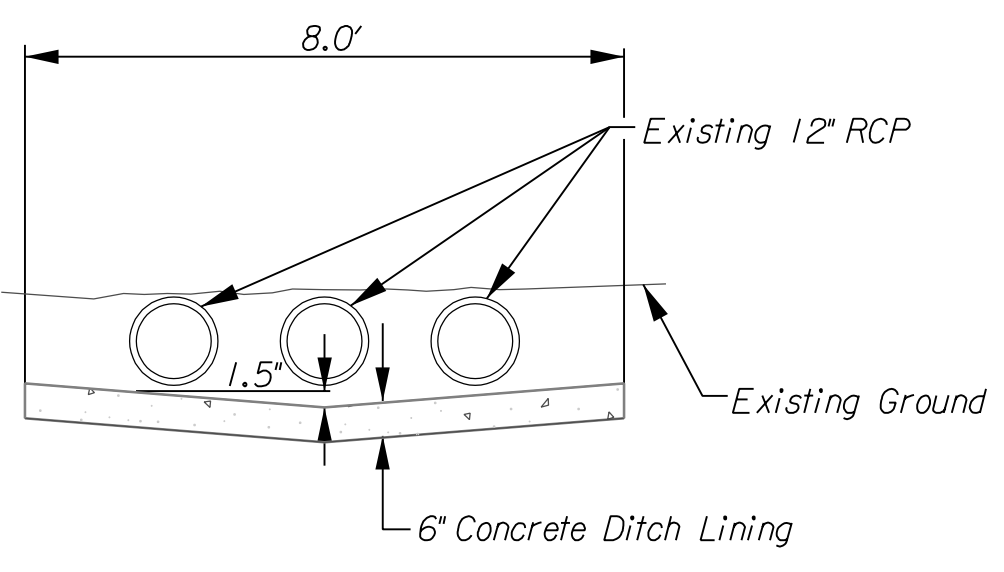


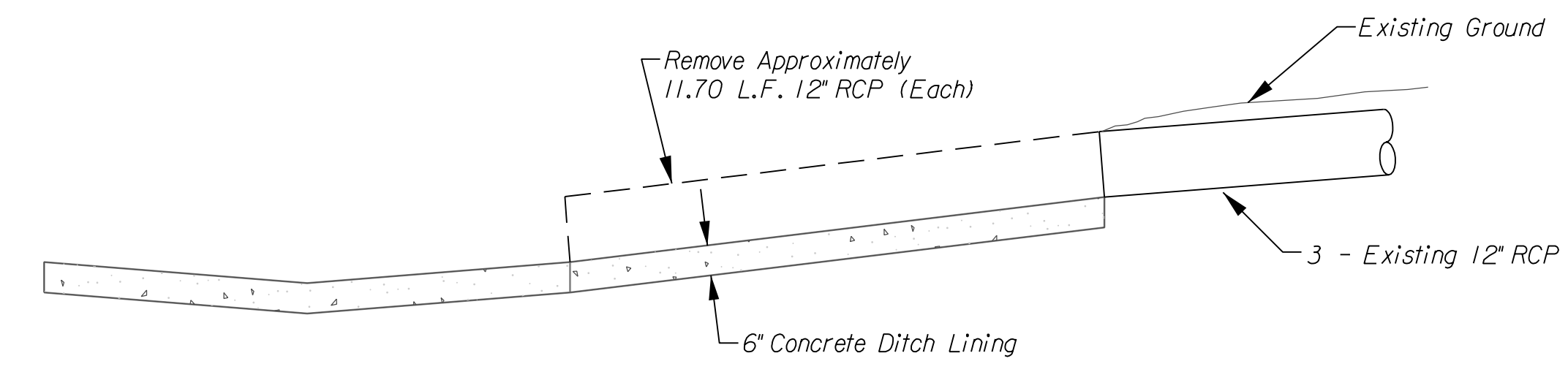
Scale
1" = 10' (Horizontal)



DETAIL A-A
Concrete Lined Ditch (NTS)



DETAIL B-B
Concrete Lined Ditch (NTS)



R:\w083\0005\road\vditch.dwg

CITY OF WICHITA MERIDIAN AVENUE 31ST TO PAWNEE PROPOSED IMPROVEMENTS CONCRETE DITCH LINING DETAIL	
DESIGNED: J.R.L.	DRAWN: J.R.L.
CHECKED: B.A.L.	DATE: 3/2005
SCALE: 1" = 10'	SHEET NO.: 39