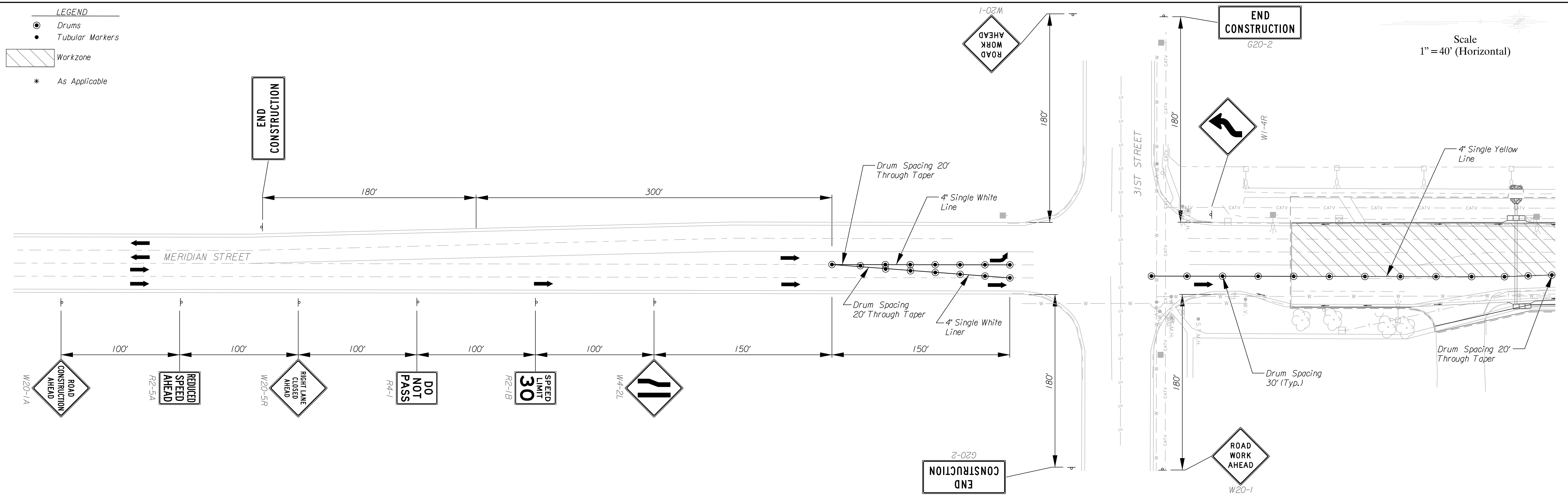
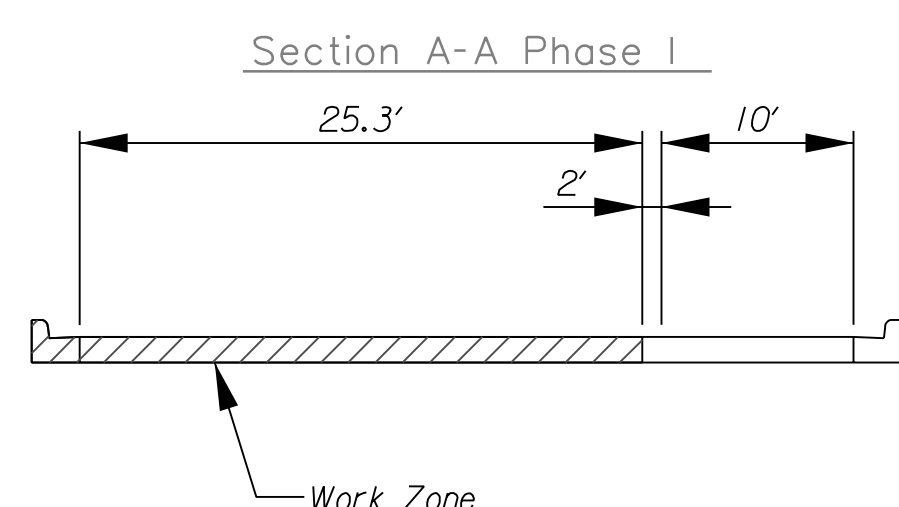
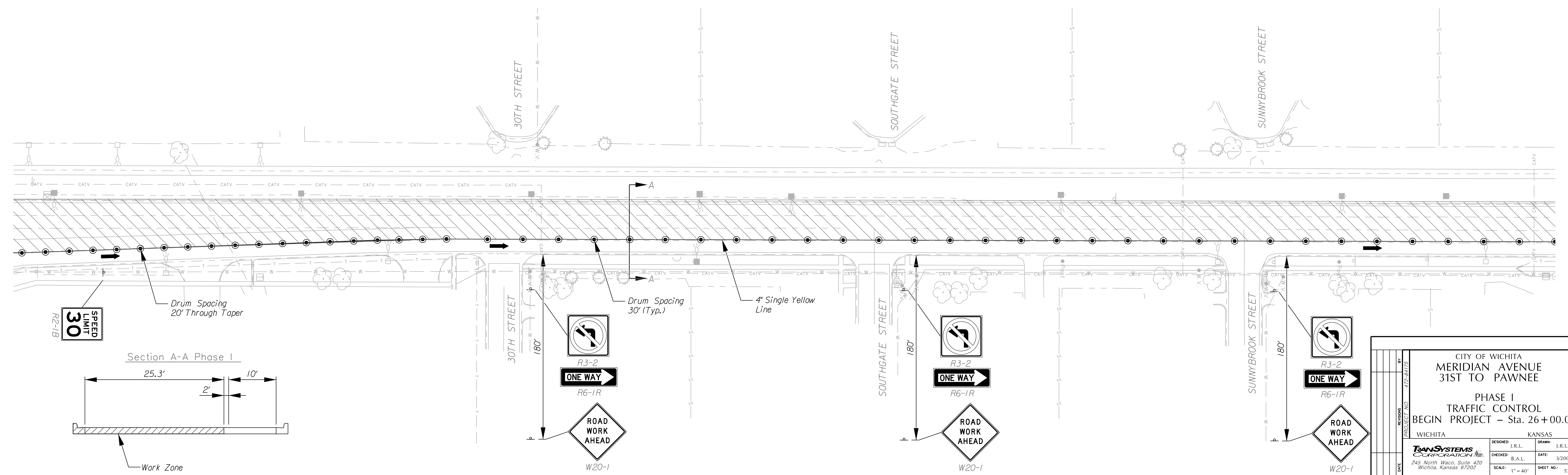


- LEGEND**
- Drums
 - Tubular Markers
 - ▨ Workzone
 - * As Applicable



Scale
1" = 40' (Horizontal)



CITY OF WICHITA MERIDIAN AVENUE 31ST TO PAWNEE	
PHASE I TRAFFIC CONTROL BEGIN PROJECT - Sta. 26+00.00	
WICHITA	KANSAS
DESIGNED: J.R.L.	DRAWN: J.R.L.
CHECKED: B.A.L.	DATE: 3/2005
SCALE: 1" = 40'	SHEET NO.: 53

TRAN SYSTEMS CORPORATION
245 North Waco, Suite 420
Wichita, Kansas 67202

8:1w033\0005\road\vent\akr