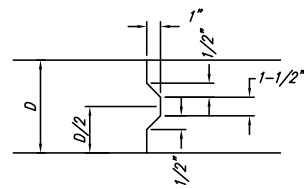
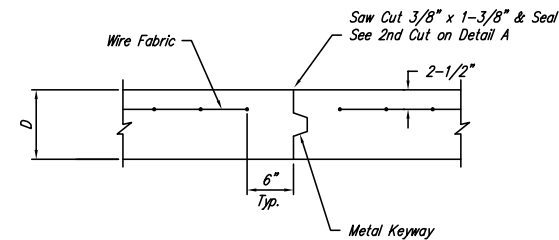


EXPANSION JOINT

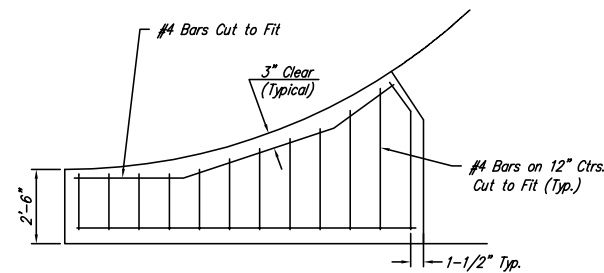
NOTE: Extra Thickness to be Subsidiary to Price of Square Yards Pavement



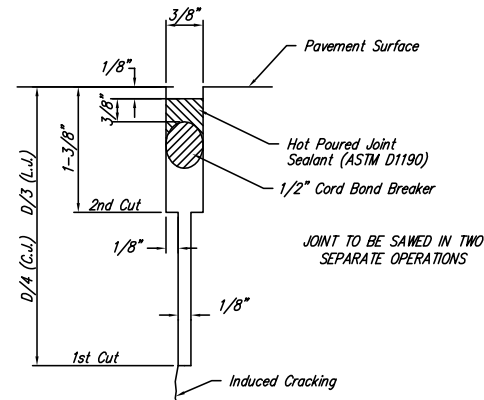
KEYWAY DETAIL



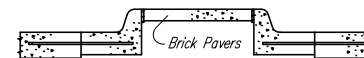
OPTIONAL CONTRACTION JOINT



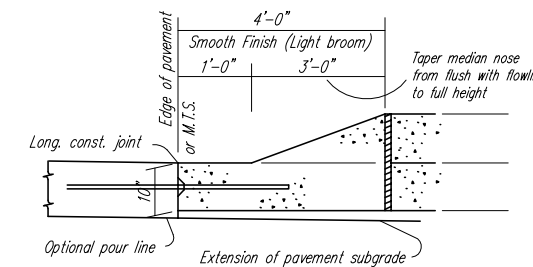
WING REINFORCING DETAIL



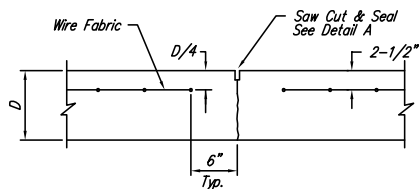
**SAW JOINT DETAIL
DETAIL 'A'**



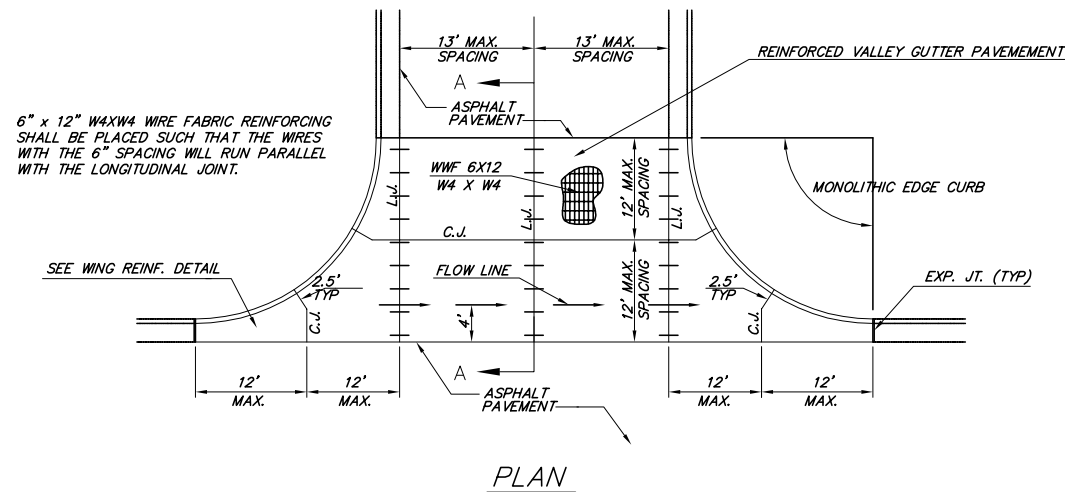
SECTION D-D



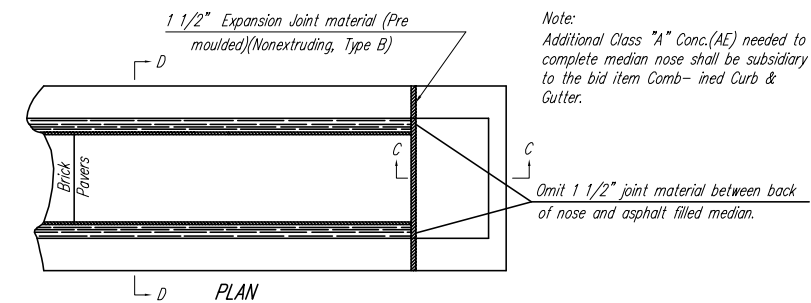
**DRIVABLE MEDIAN NOSE - TYPE III
SECTION C-C**



CONTRACTION JOINT DETAIL (C.J.)



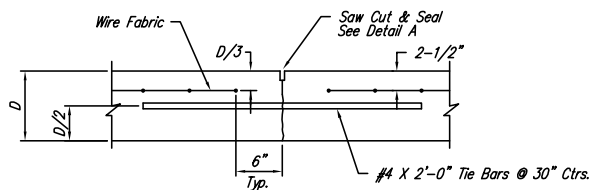
PLAN



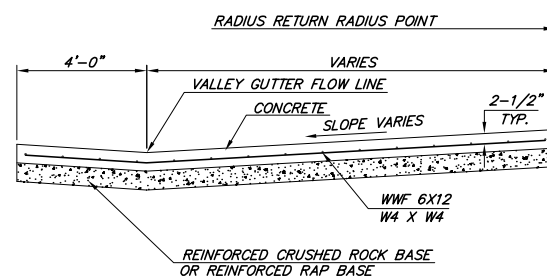
PLAN

Note: Expansion joints shall be placed in concrete median as follows. In long runs expansion joints shall be 1/2" expansion joint material (Nonextruding, Type B) flush with the surface. Expansion joints in the median shall match expansion joints in the curb and gutter with a maximum spacing of 100 feet. Plane of weakness in median shall match plane of weakness in curb & gutter.

TYPICAL NOSE DETAILS FOR RAISED MEDIANS

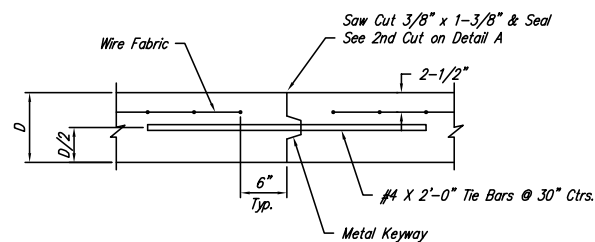


LONGITUDINAL JOINT DETAIL (L.J.)



SECTION A-A

REINFORCED VALLEY GUTTER DETAIL



OPTIONAL LONGITUDINAL JOINT DETAIL (L.J.)

<p>THE CITY OF WICHITA CITY ENGINEER'S OFFICE CITY HALL - SEVENTH FLOOR 455 NORTH MAIN STREET WICHITA, KANSAS 67202 (316) 268-4501 (316) 268-4114 FAX</p>	VALLEY GUTTER DETAILS WHEELCHAIR RAMP DETAILS	
	PROJECT NUMBER 472-83874	OCA # 706872
DATE	SHEET 23 OF 106	