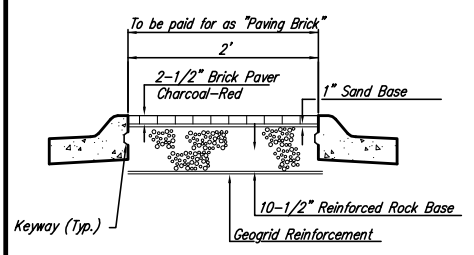
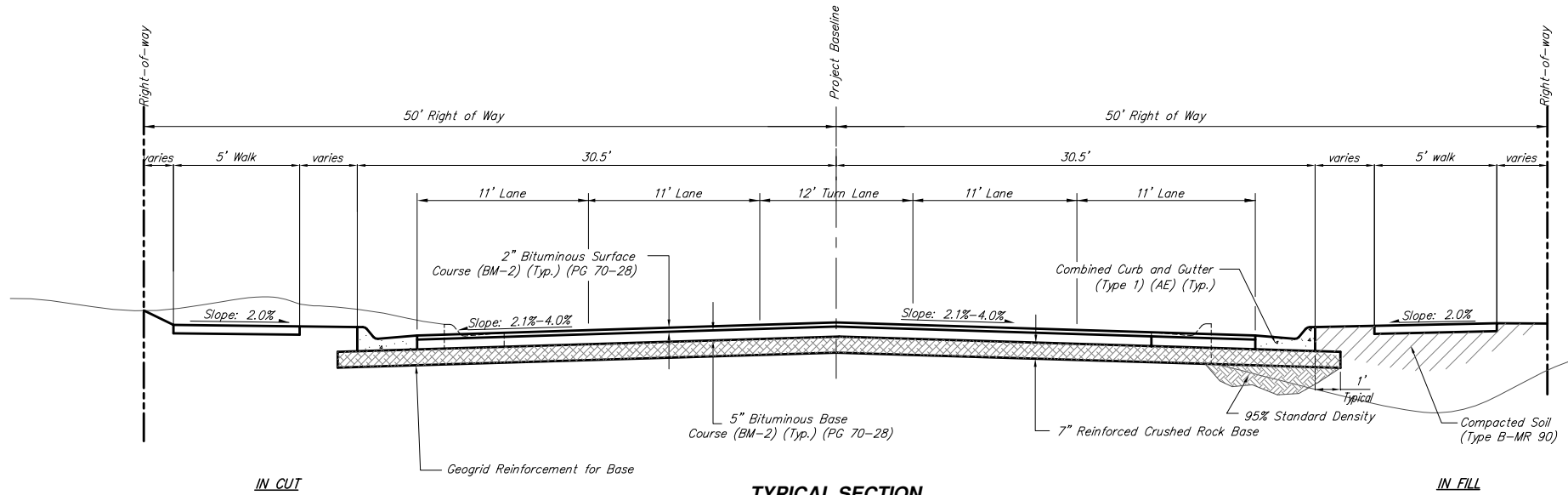


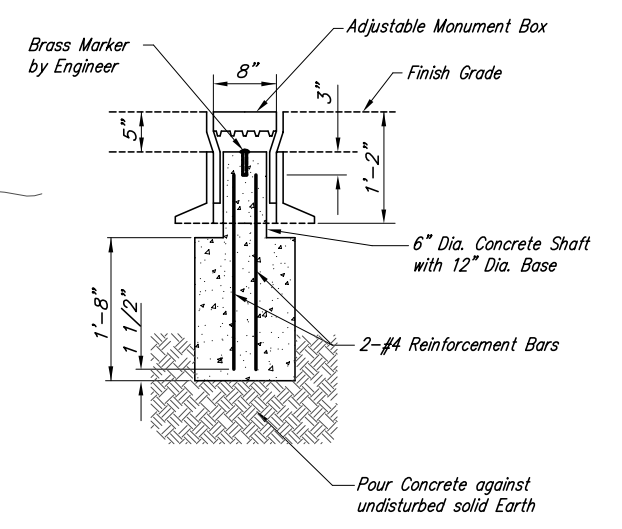
**TYPICAL SECTION**  
5+75.98 TO 7+81.06



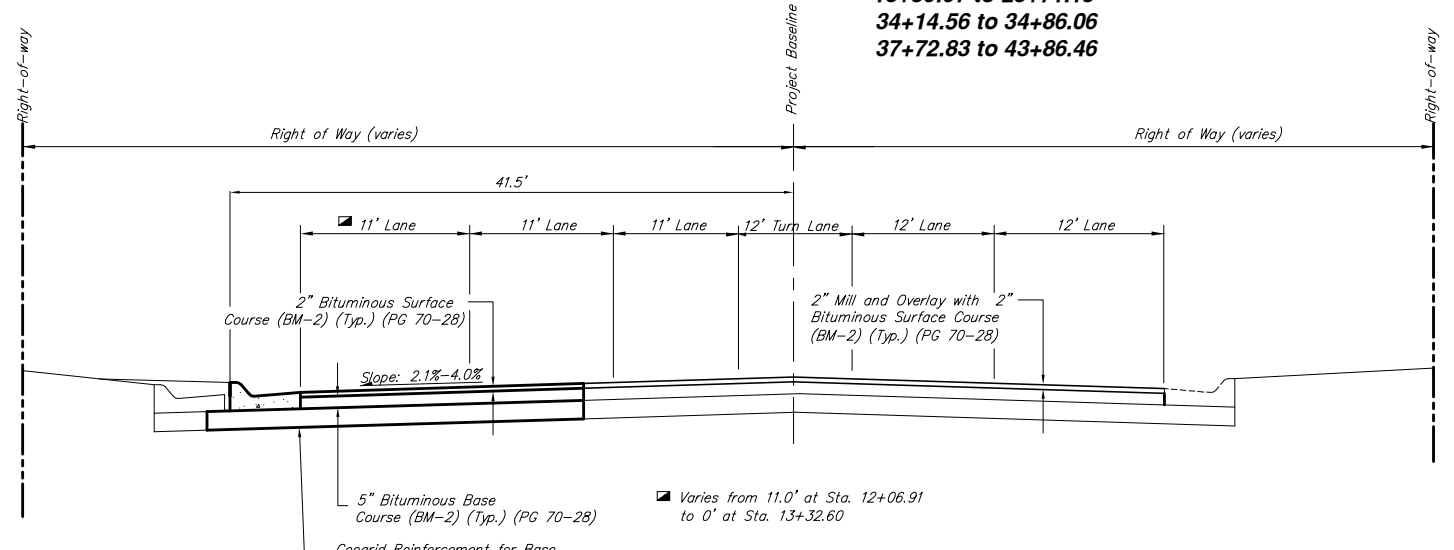
**BRICK PAVER SURFACE DETAIL**  
NOTE: Construction of the interlocking precast concrete paving stones shall conform to special provision 90P-3956.



**TYPICAL SECTION**  
13+32.60 to 15+19.82  
18+39.67 to 28+71.13  
34+14.56 to 34+86.06  
37+72.83 to 43+86.46



**MONUMENT BOX**



**TYPICAL SECTION**  
7+81.06 TO 13+32.60

**CENTRAL PAVING IMPROVEMENTS  
TYPICAL SECTIONS  
WICHITA, KANSAS**

**Ruggles & Bohm, P.A.**  
Engineering, Surveying, Land Planning

924 North Main (316) 264-8008  
Wichita, Kansas 67203 (316) 264-4621 fax  
www.rbkansas.com E-mail: info@rbkansas.com

DESIGN: KWL  
DRAWN: RA  
REVIEW: RA  
UTILITY: RA

PROJECT NUMBER: 472-83506  
DATE: July 10, 2006

SHEET: 3 OF 106  
JOB: 2139T