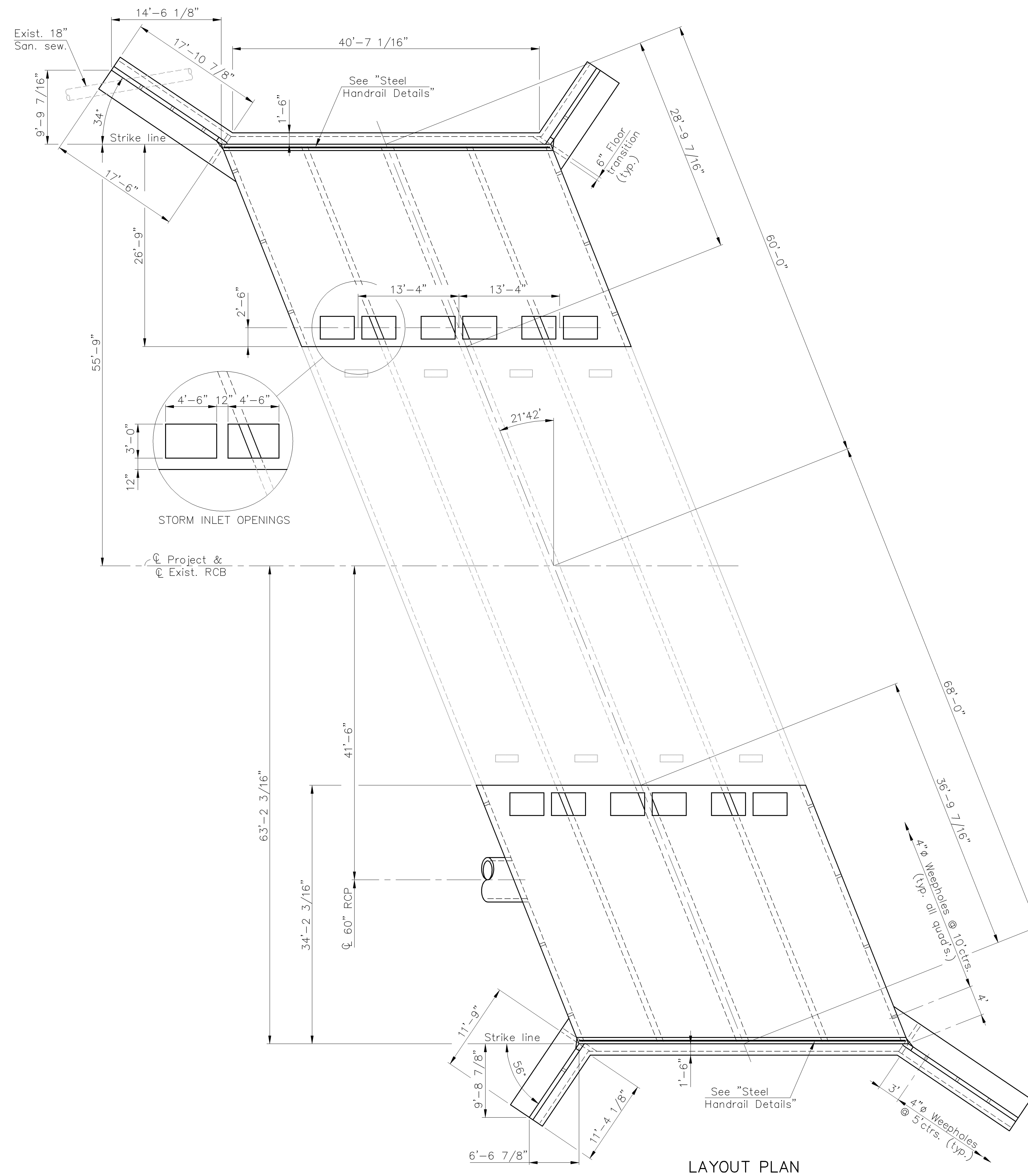
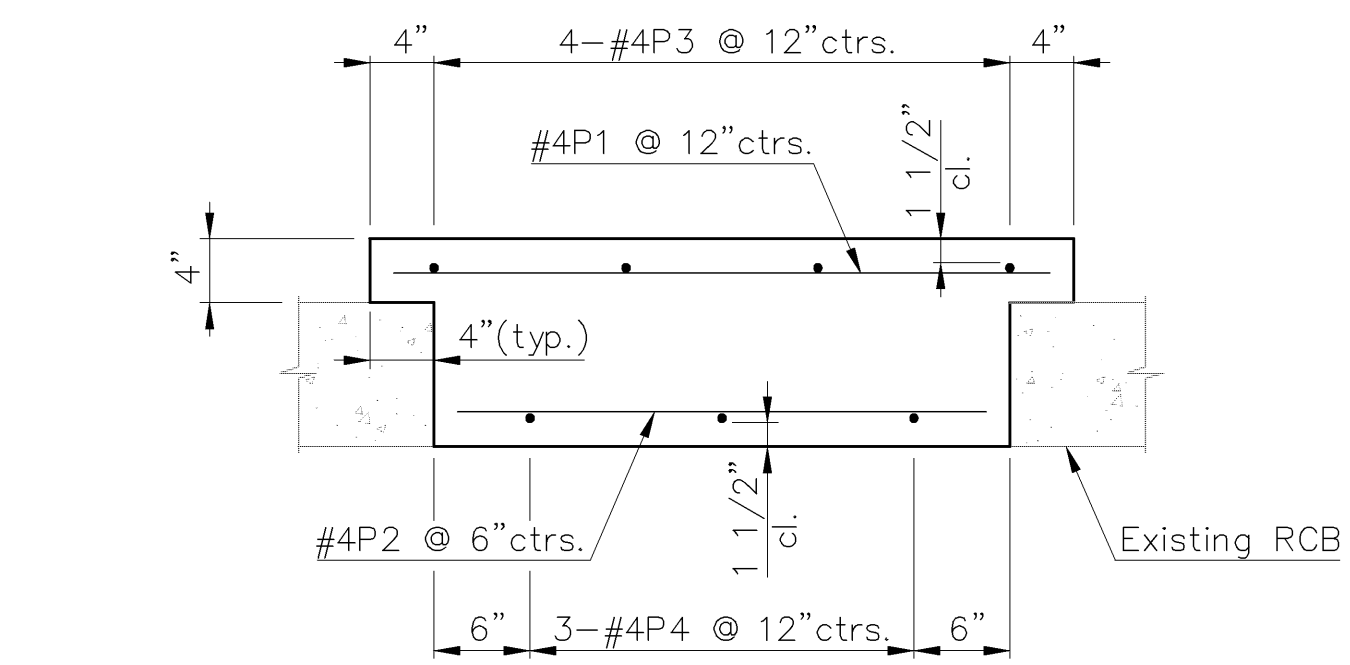


N.S. Indicates near surface  
 F.S. Indicates for surface  
 E.S. Indicates each surface

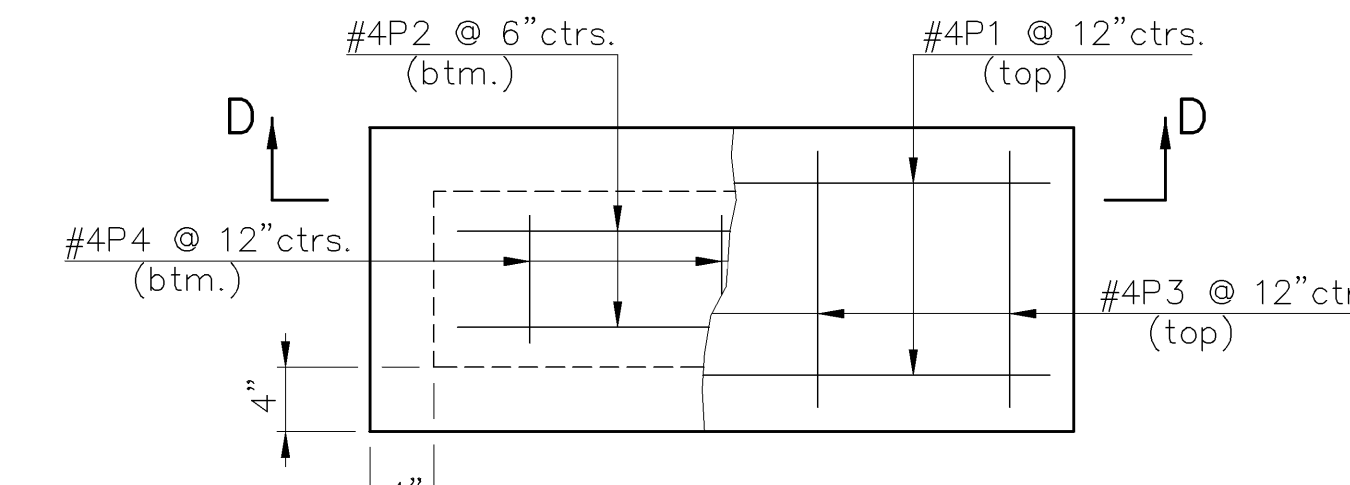
STATE	PROJECT NO.	YEAR	SHEET NO.	TOTAL SHEETS
KANSAS	87 N-0302-01	2004	46	106



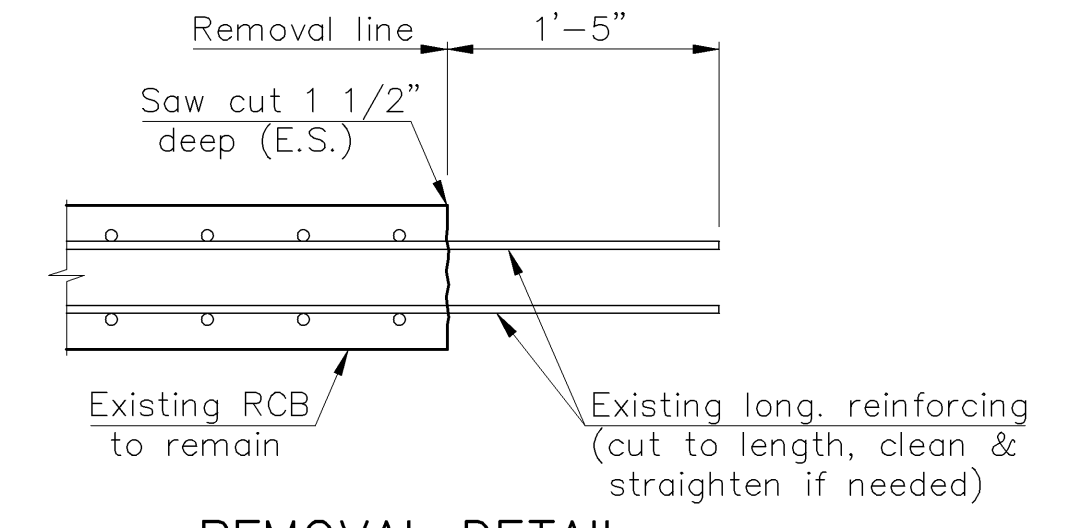
LAYOUT PLAN



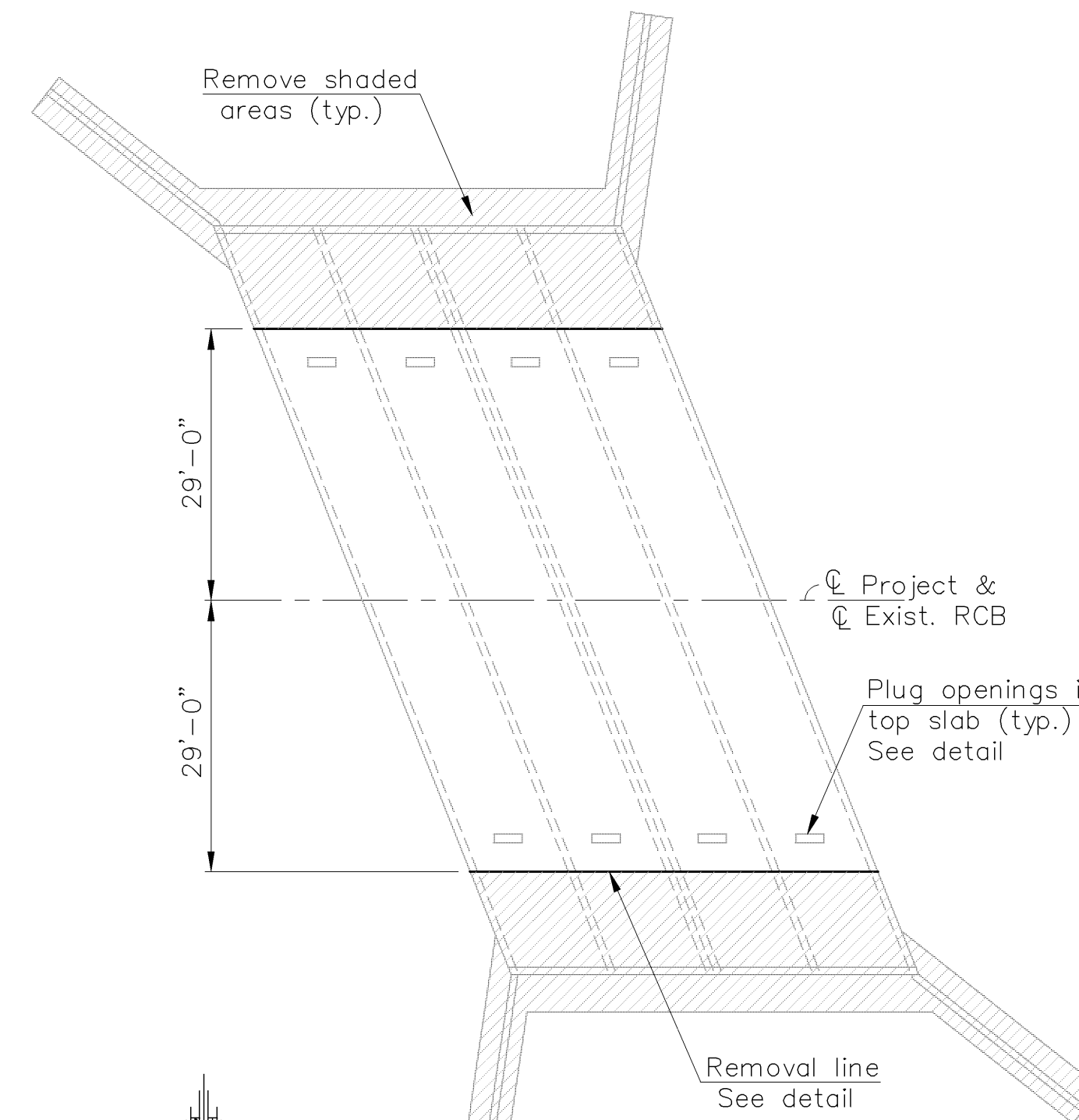
SECTION D-D



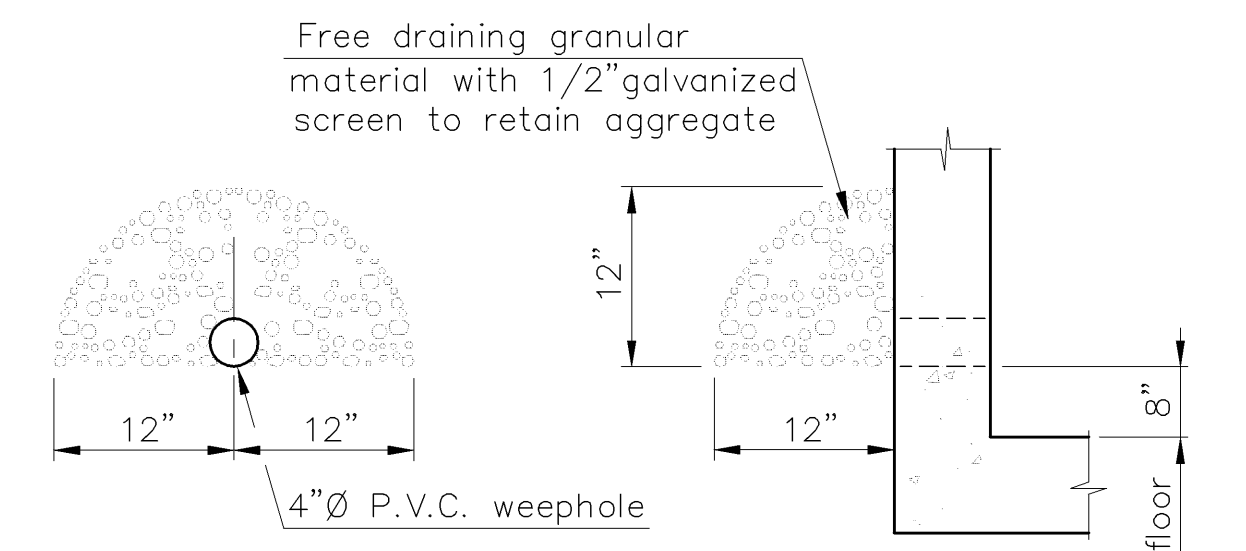
PLAN PLUG DETAILS  
 (8 Required)



REMOVAL DETAIL



REMOVAL PLAN

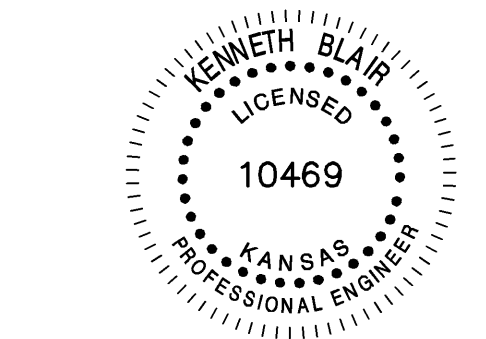


WEEPHOLE DETAIL

Note: The joint between the existing RCB and the extensions shall be sealed with a Bentonite based system. See "Typical Culvert Extensions" sheet for details.

Note: Design fill height = 3.2'

PROJECT NO. 87 N-0302-01  
**4-9'X6' RCB EXTENSION**  
 BRIDGE OVER W. BRANCH GYPSUM CREEK  
 STA. 43+64.4 CITY OF WICHITA



**Cook, Flatt & Strobel**  
 ENGINEERS, P.A.

DESIGNED	KMB	SCALE
DETAILED	DEG	DATE
QUANTITIES	DEG	SHEET OF

J:\2003PROJ\03549\DWG\RCB 1"=4'