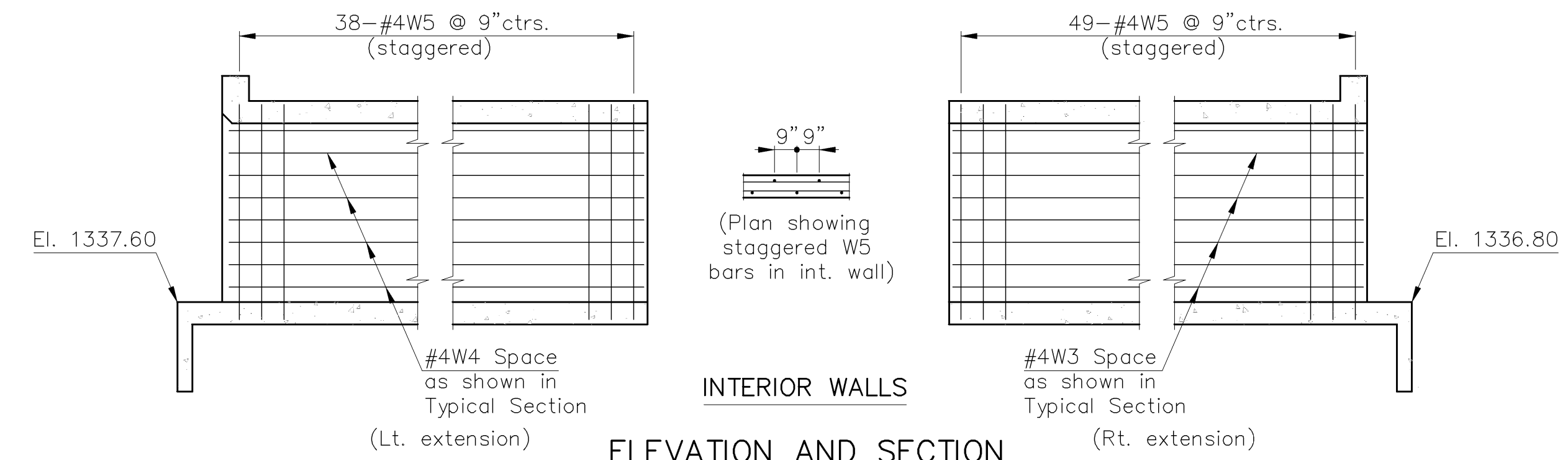
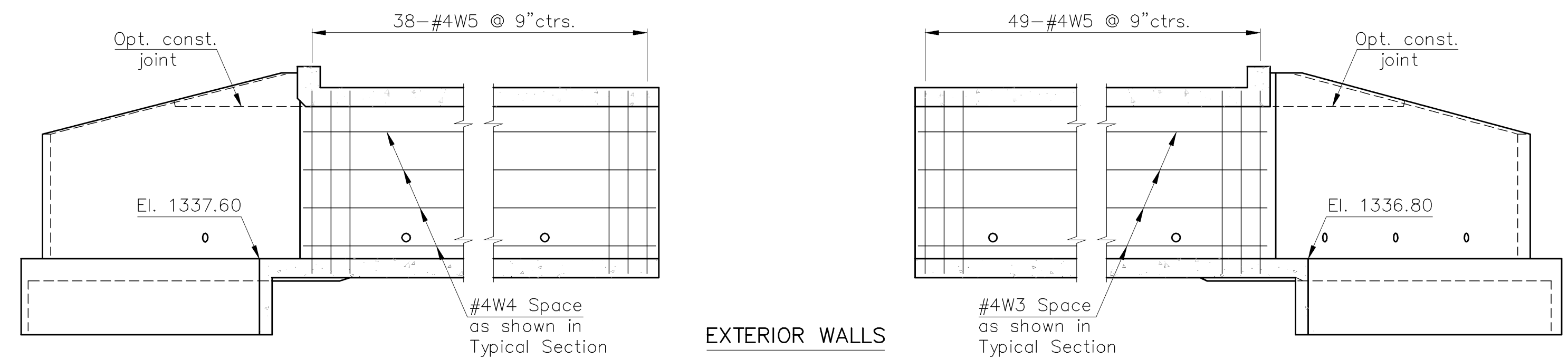
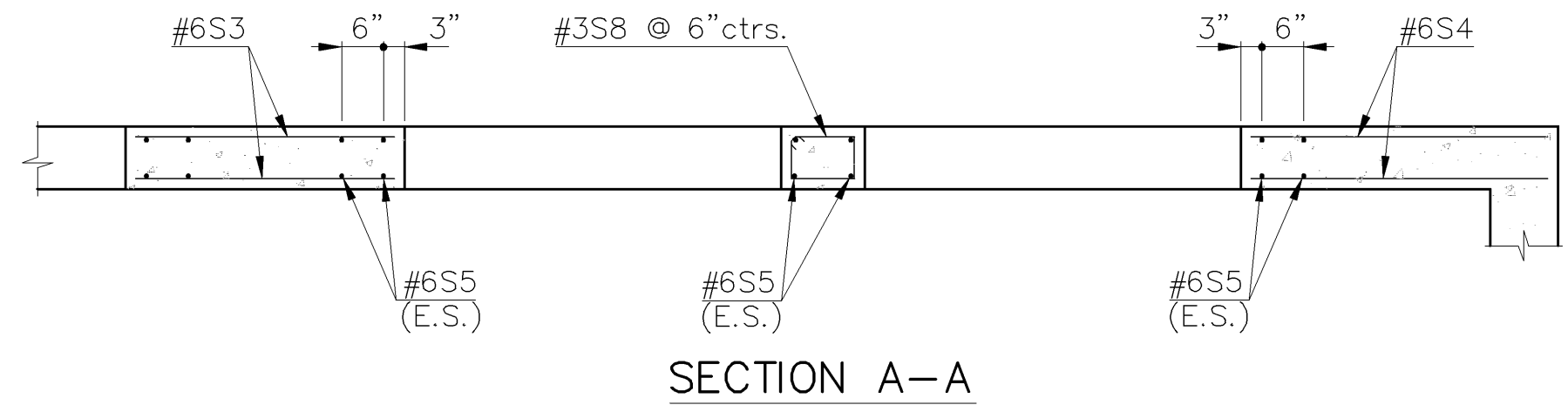
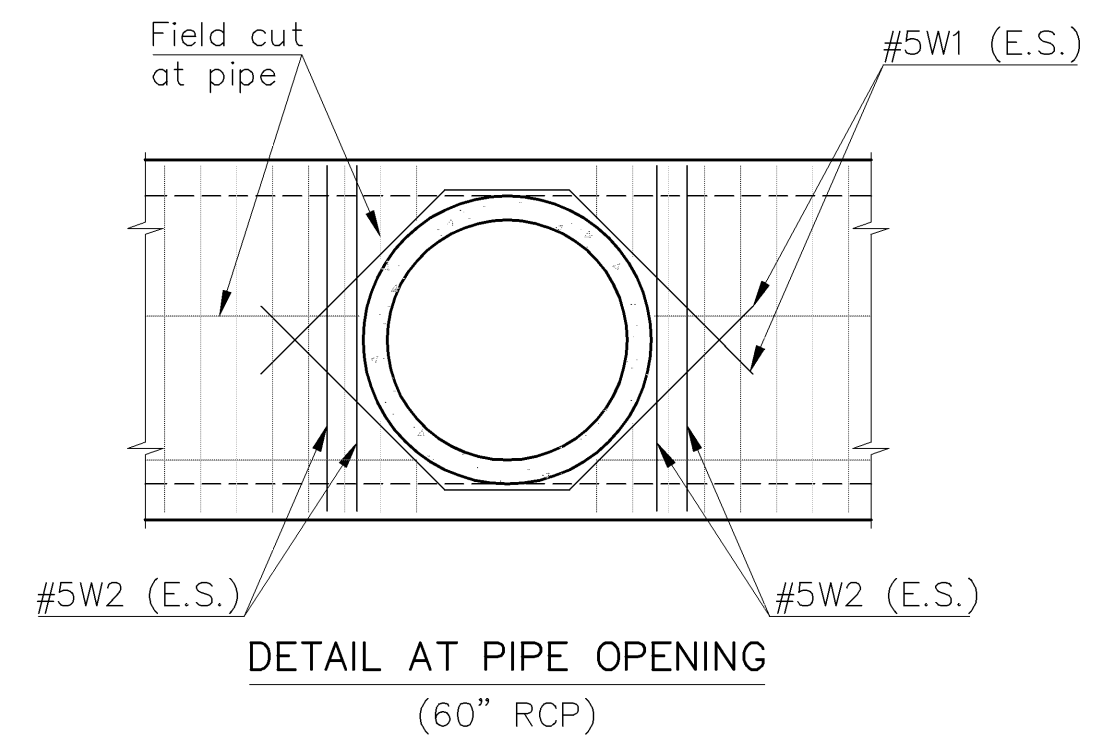
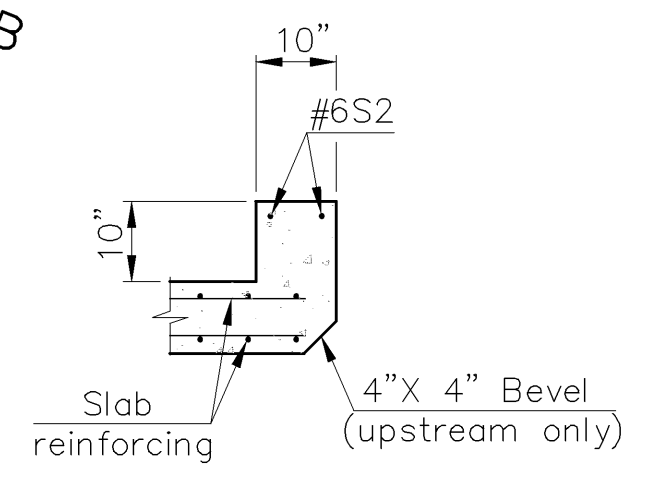
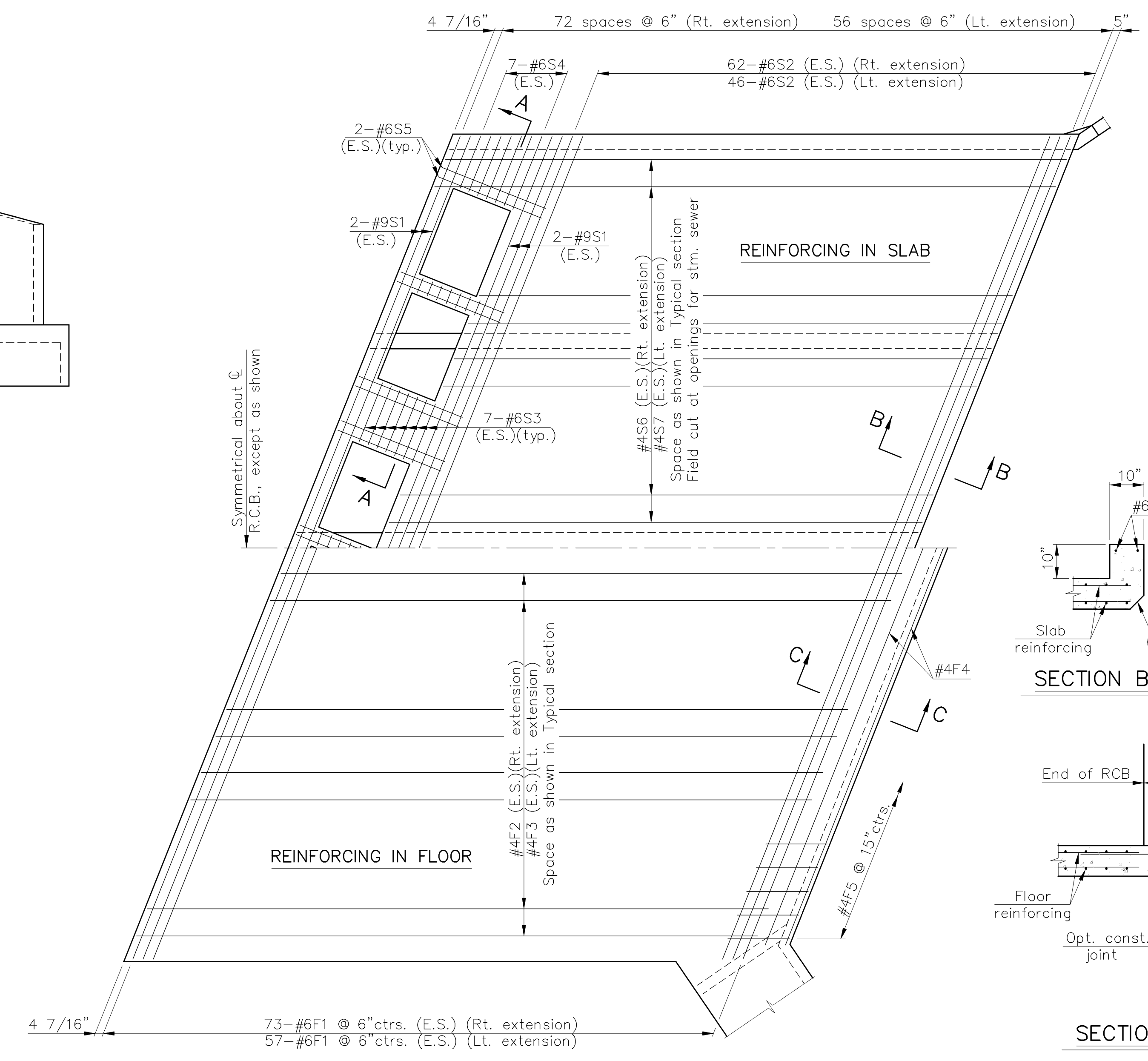


N.S. Indicates near surface  
 F.S. Indicates for surface  
 E.S. Indicates each surface

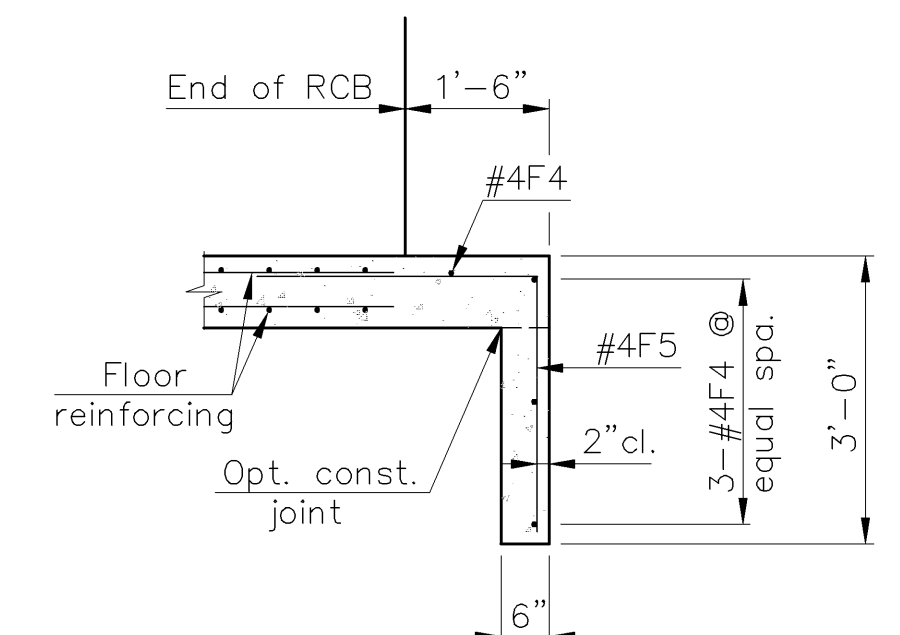
STATE	PROJECT NO.	YEAR	SHEET NO.	TOTAL SHEETS
KANSAS	87 N-0302-01	2004	47	106



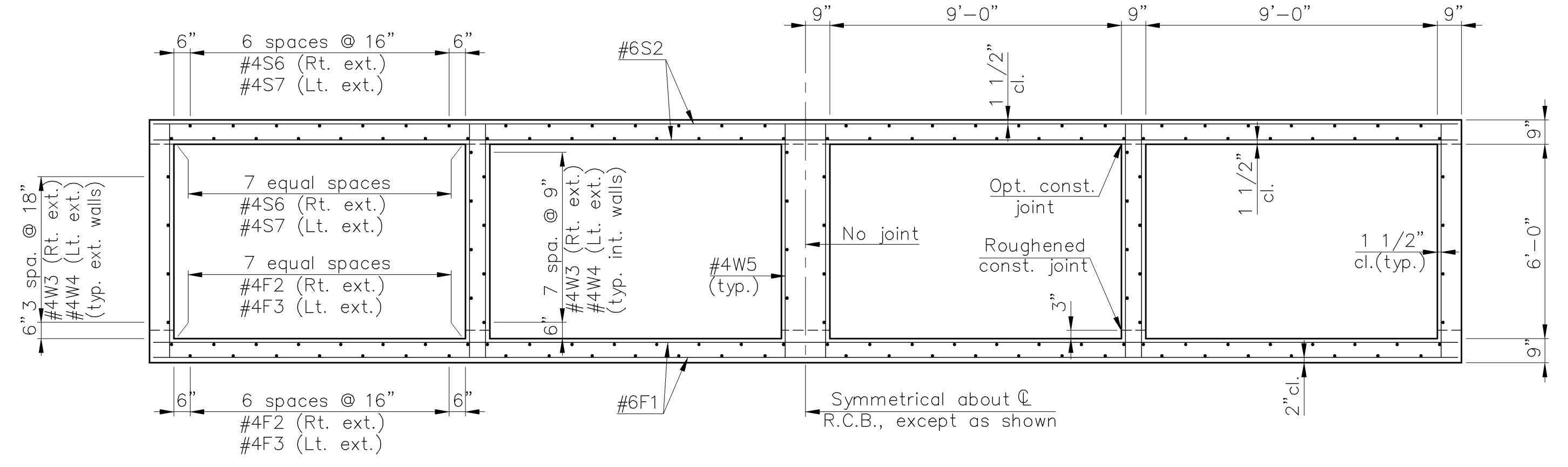
ELEVATION AND SECTION  
 (Looking ahead station)



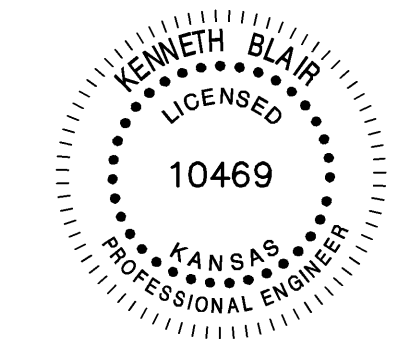
SECTION B-B



SECTION C-C



TYPICAL SECTION THRU BARREL



Note: Design fill height = 3.2'

PROJECT NO. 87 N-0302-01		 <b>Cook, Flatt &amp; Strobel</b> ENGINEERS, P.A.	
4-9'X6' RCB EXTENSION			
BRIDGE OVER W. BRANCH GYPSUM CREEK		DESIGNED KMB	SCALE
STA. 43+64.4		DETAILED DEG	DATE
CITY OF WICHITA		QUANTITIES DEG	SHEET OF

J:\2003PROJ\03549\DWG\RCB 1"=4'