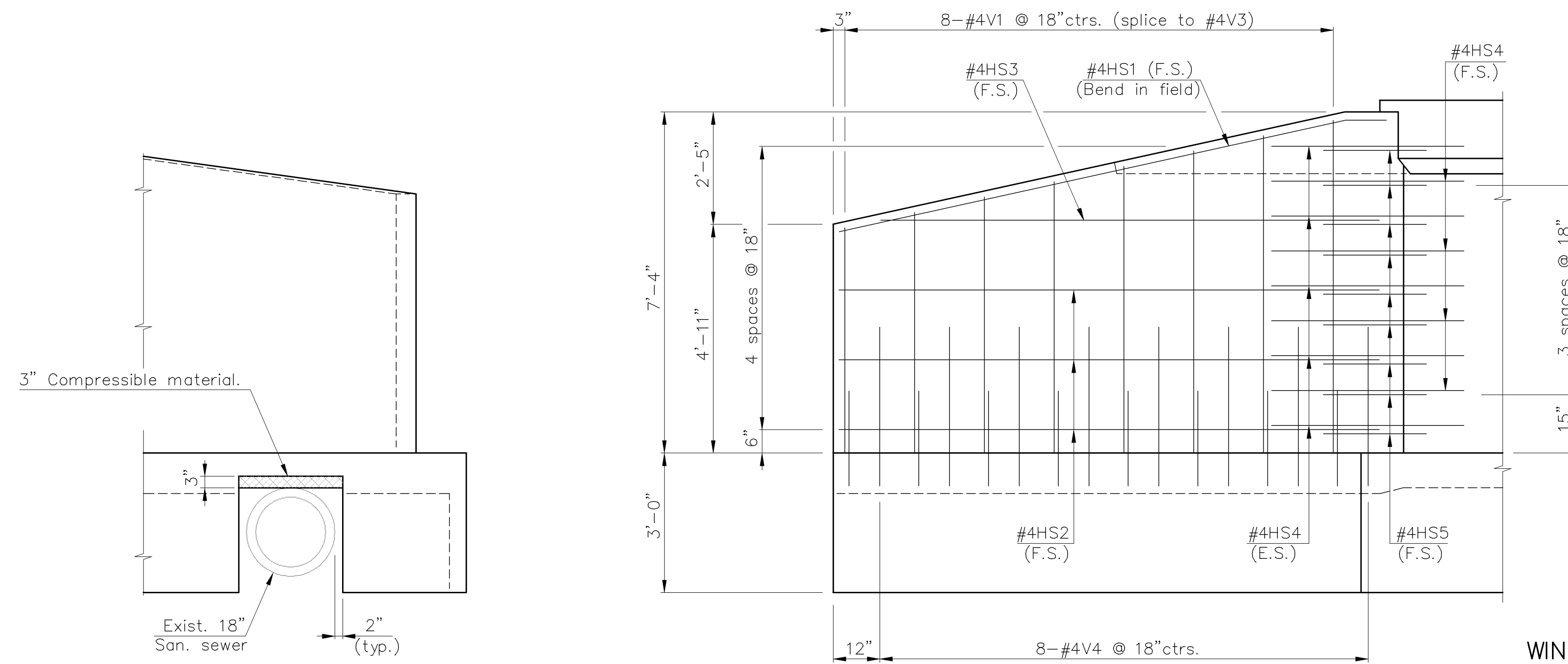
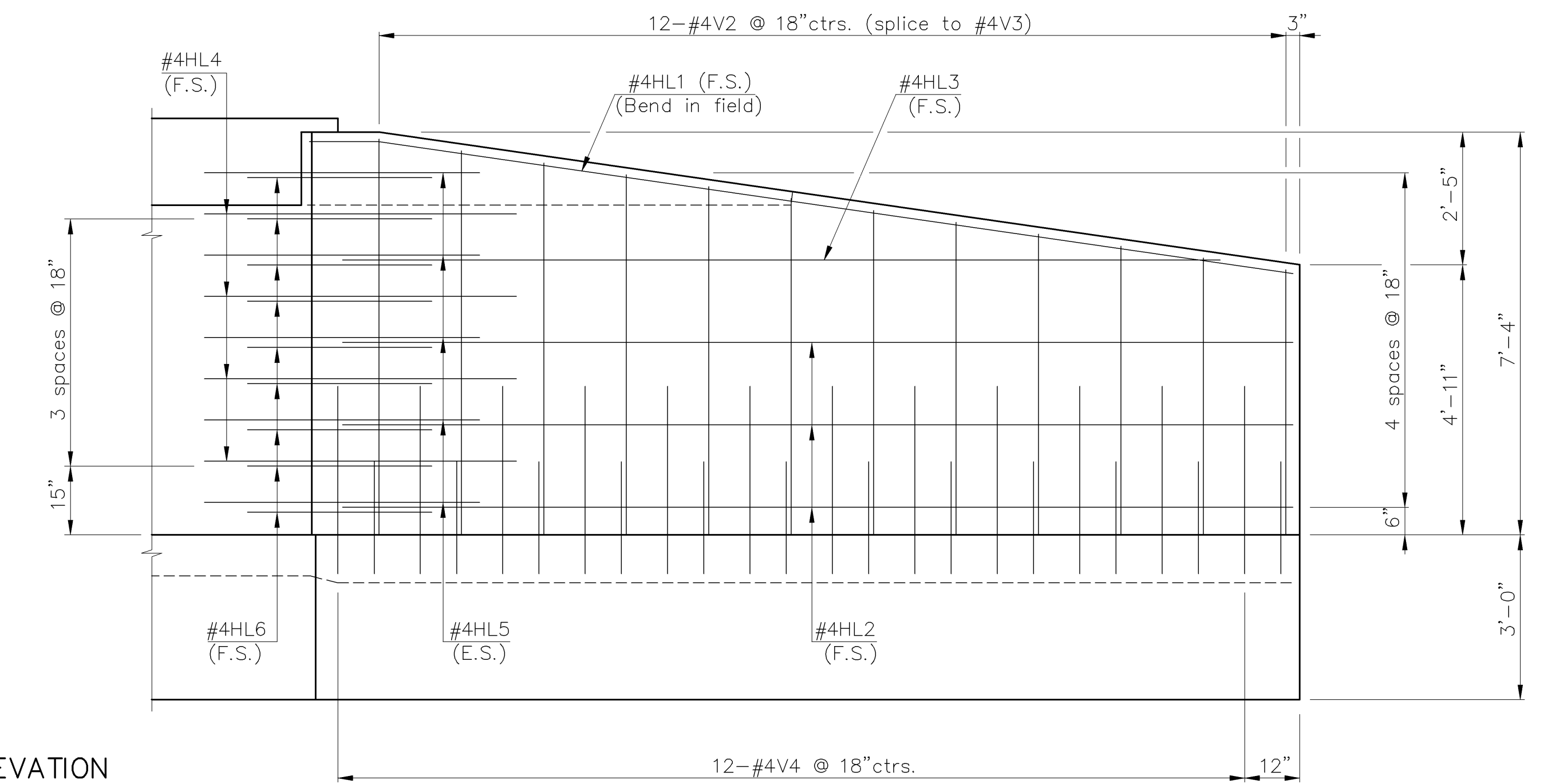


N.S. Indicates near surface
 F.S. Indicates for surface
 E.S. Indicates each surface

STATE	PROJECT NO.	YEAR	SHEET NO.	TOTAL SHEETS
KANSAS	87 N-0302-01	2004	48	106



WING ELEVATION
 (Channel face shown)

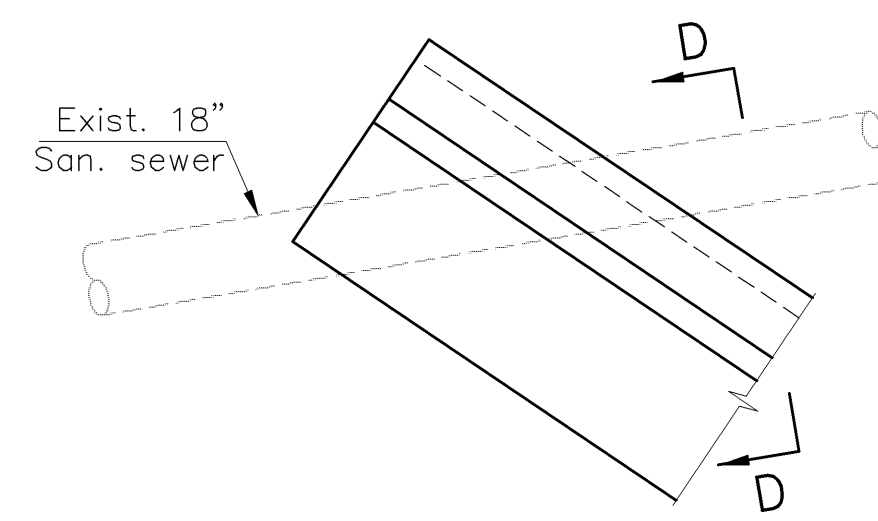


3" Compressible material.

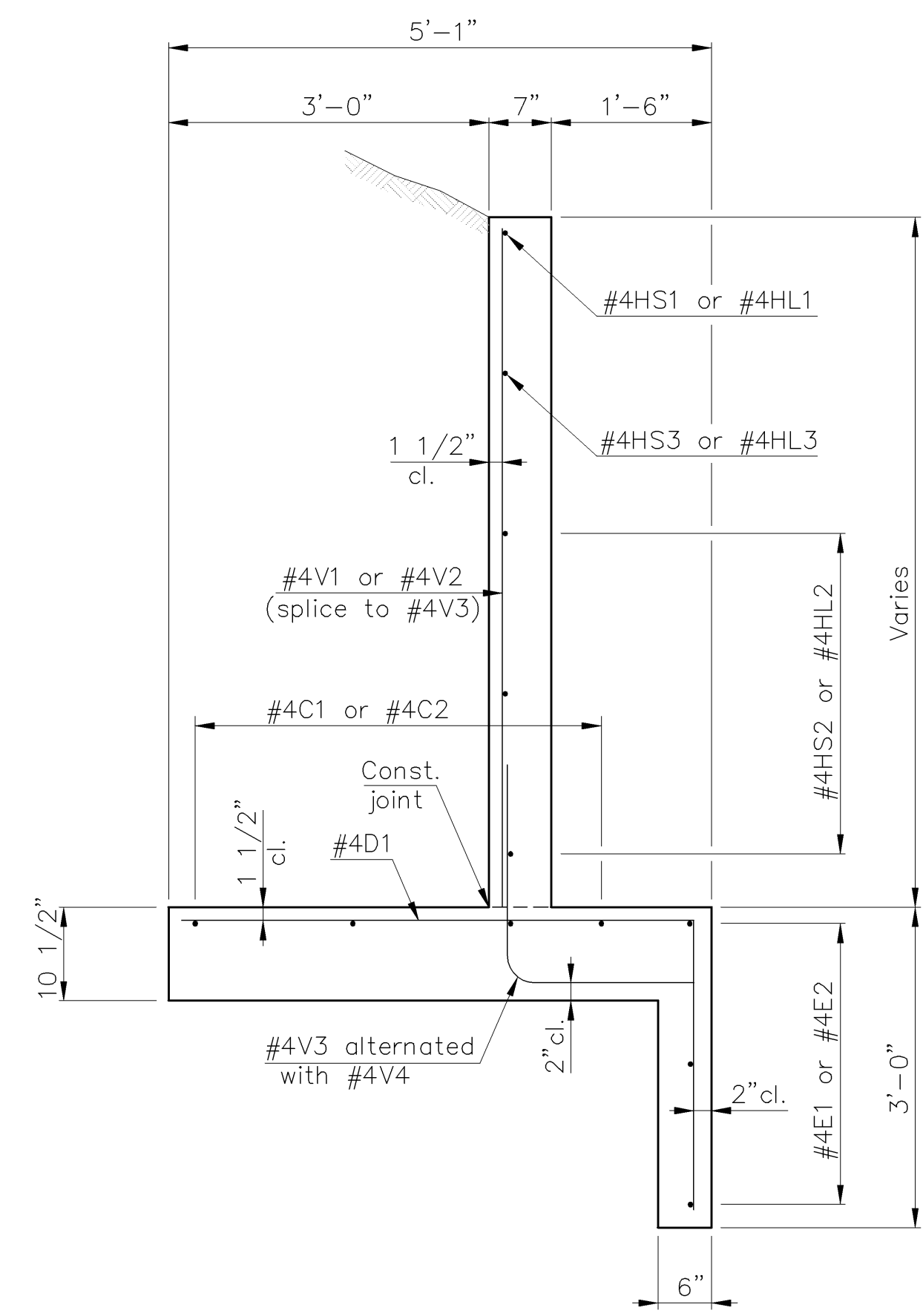
Exist. 18" San. sewer
 2" (typ.)

SECTION D-D

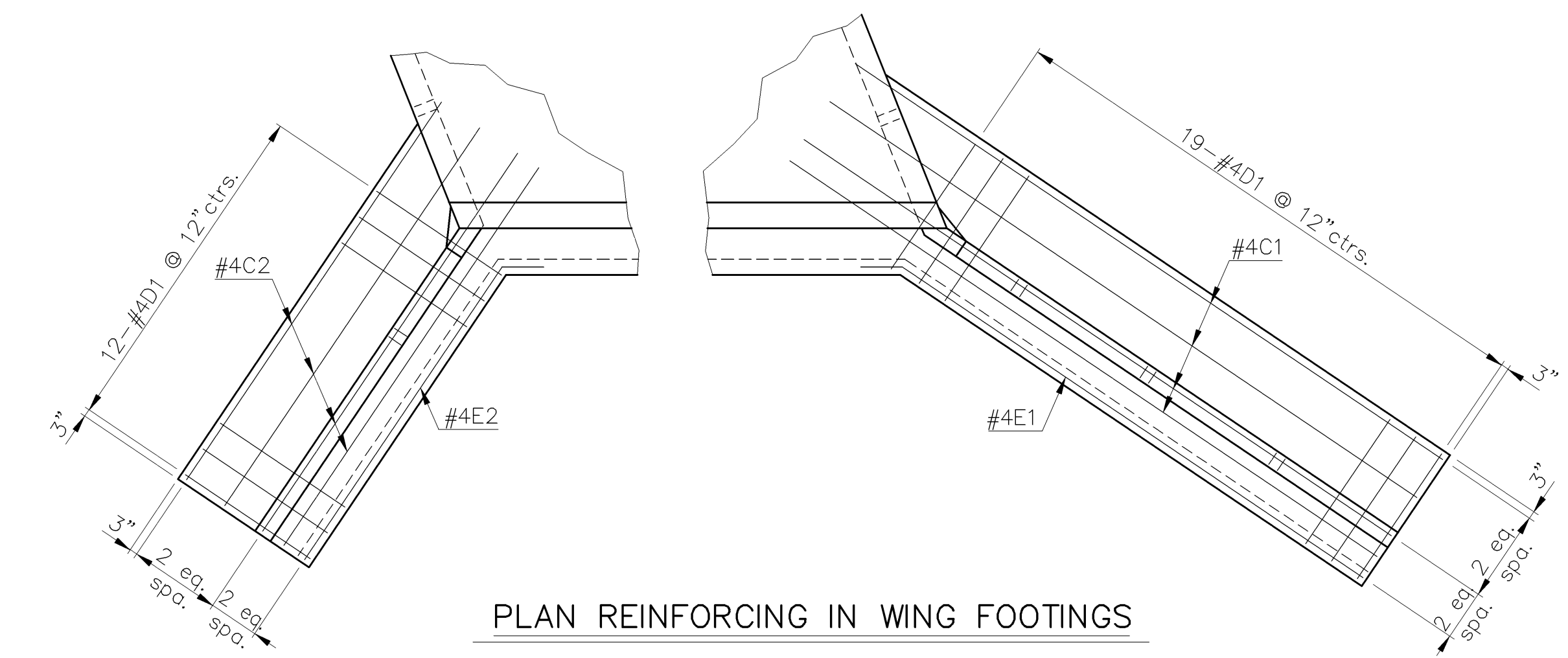
Note: Field cut and/or rotate reinforcing at pipe.



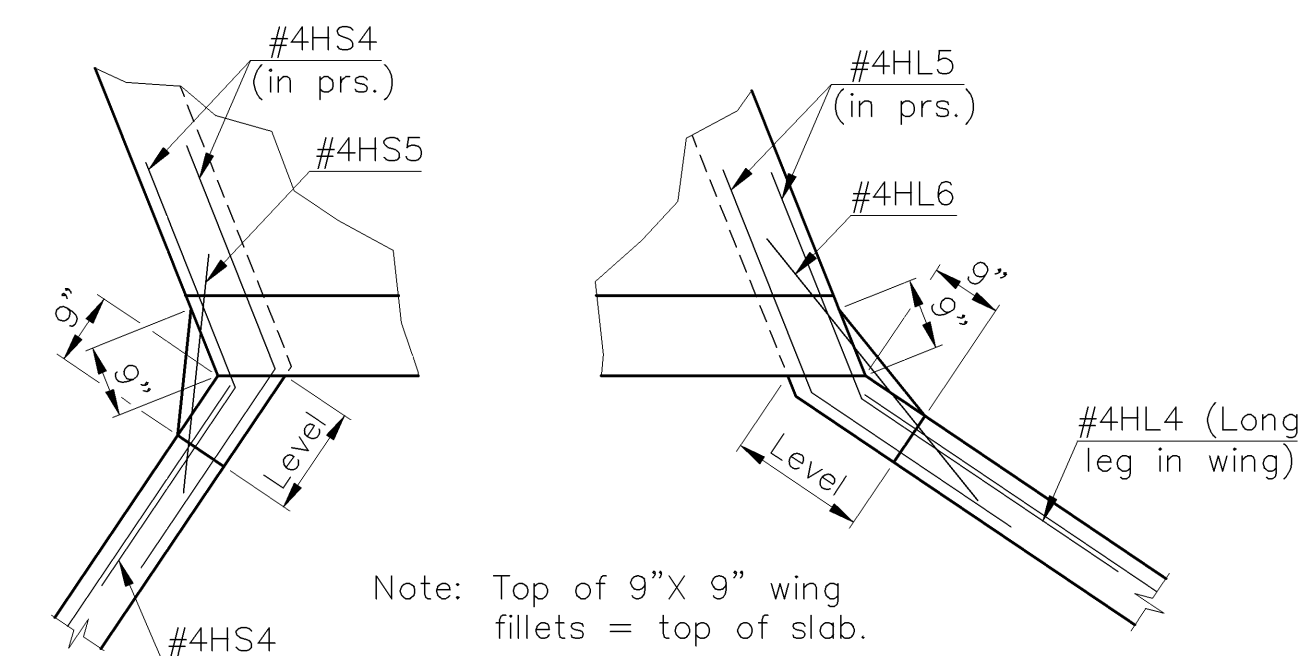
SANITARY SEWER AT NW WING



TYPICAL SECTION THRU WING



PLAN REINFORCING IN WING FOOTINGS

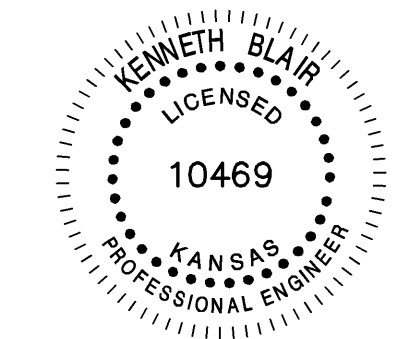


Note: Top of 9"X 9" wing fillets = top of slab.

PLAN WING FILLETS

Note: Design fill height = 3.2'

PROJECT NO. 87 N-0302-01
4-9'X6' RCB EXTENSION
 BRIDGE OVER W. BRANCH GYPSUM CREEK
 STA. 43+64.4 CITY OF WICHITA



DESIGNED	KMB	SCALE
DETAILED	DEG	DATE
QUANTITIES	DEG	SHEET OF

J:\2003PROJ\03549\DWGS\RCB 1"=4'