

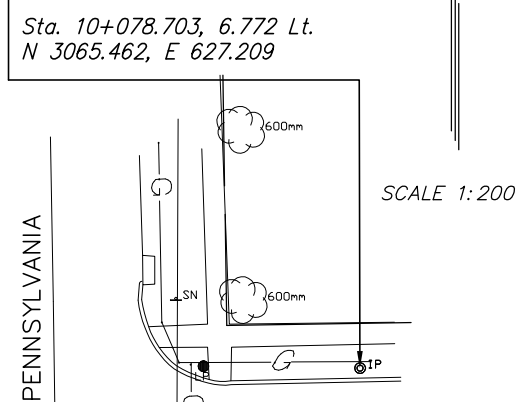
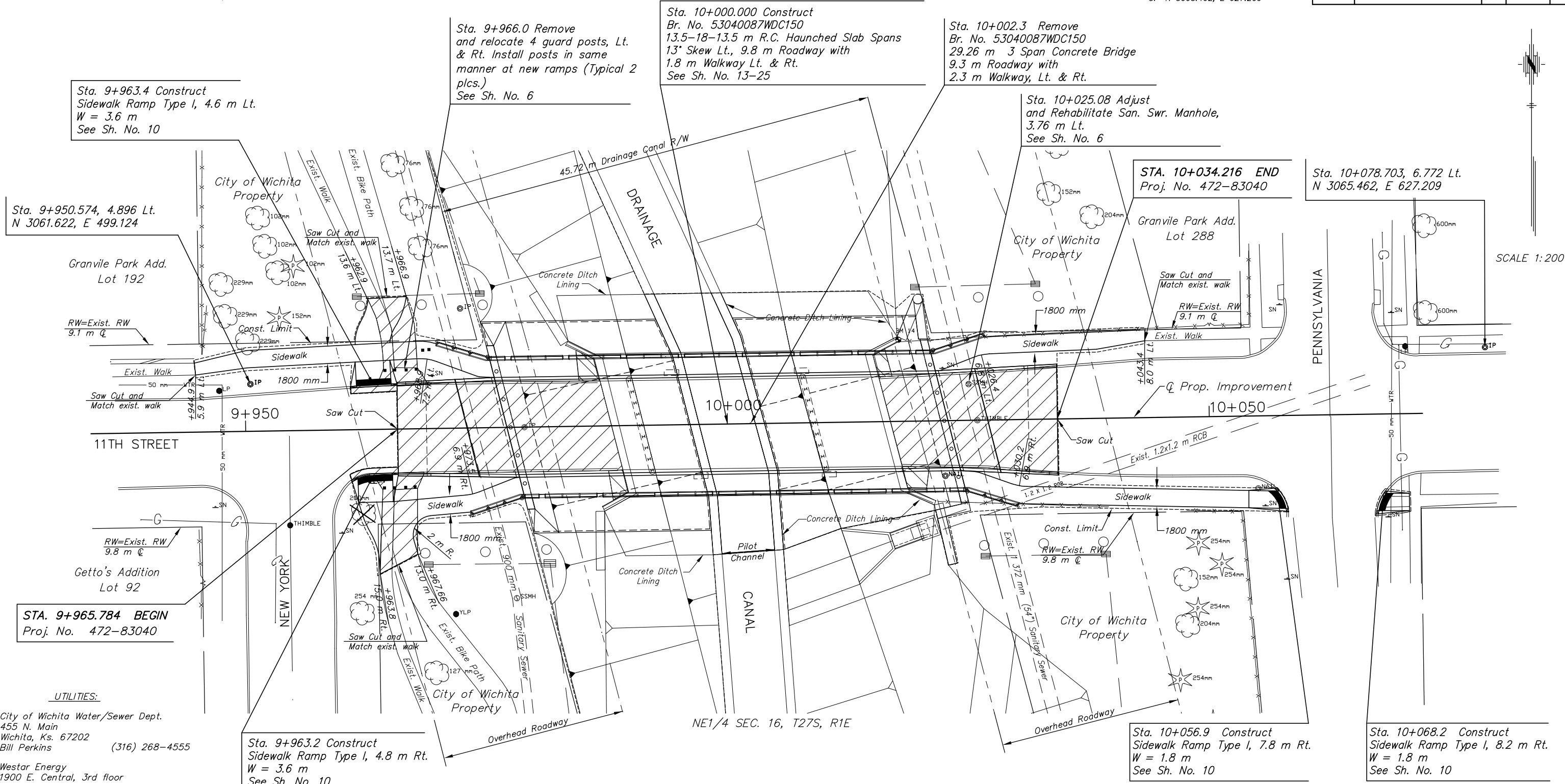
Control Point #1
 1. Pin Set
 2. C Sta. 9+950.574, 4.896 Lt.
 3. N 3061.622, E 499.124

P.O.T. @ Sta. 9+978.940
 1. Iron Pin Set
 2. N 3057.161, E 527.562

P.O.T. @ Sta. 10+025.936
 1. Thimble Set
 2. N 3057.881, E 574.554

Control Point #2
 1. Pin Set
 2. Q Sta. 10+078.703, 6.772 Lt.
 3. N 3065.462, E 627.209

STATE	PROJECT NO.	YEAR	SHEET NO.	TOTAL SHEETS
KANSAS	87 N-0187-01	2006	3	47



Sta. 9+950.574, 4.896 Lt.
 N 3061.622, E 499.124

Sta. 9+963.4 Construct
 Sidewalk Ramp Type I, 4.6 m Lt.
 W = 3.6 m
 See Sh. No. 10

Sta. 9+966.0 Remove
 and relocate 4 guard posts, Lt.
 & Rt. Install posts in same
 manner at new ramps (Typical 2
 plcs.)
 See Sh. No. 6

Sta. 10+000.000 Construct
 Br. No. 53040087WDC150
 13.5-18-13.5 m R.C. Haunched Slab Spans
 13' Skew Lt., 9.8 m Roadway with
 1.8 m Walkway Lt. & Rt.
 See Sh. No. 13-25

Sta. 10+002.3 Remove
 Br. No. 53040087WDC150
 29.26 m 3 Span Concrete Bridge
 9.3 m Roadway with
 2.3 m Walkway, Lt. & Rt.

Sta. 10+025.08 Adjust
 and Rehabilitate San. Swr. Manhole,
 3.76 m Lt.
 See Sh. No. 6

STA. 10+034.216 END
 Proj. No. 472-83040

Sta. 10+078.703, 6.772 Lt.
 N 3065.462, E 627.209

STA. 9+965.784 BEGIN
 Proj. No. 472-83040

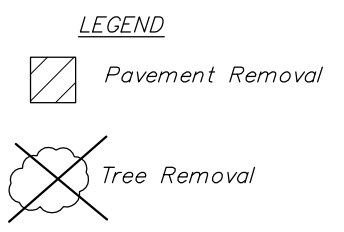
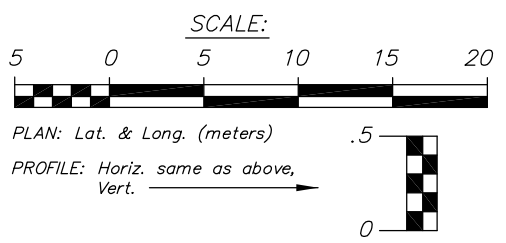
Sta. 10+056.9 Construct
 Sidewalk Ramp Type I, 7.8 m Rt.
 W = 1.8 m
 See Sh. No. 10

Sta. 10+068.2 Construct
 Sidewalk Ramp Type I, 8.2 m Rt.
 W = 1.8 m
 See Sh. No. 10

UTILITIES:

- City of Wichita Water/Sewer Dept.
 455 N. Main
 Wichita, Ks. 67202
 Bill Perkins (316) 268-4555
- Westar Energy
 1900 E. Central, 3rd floor
 Wichita, Ks. 67214
 Miles Capps (316) 383-8600
- SBC (Southwestern Bell)
 154 N. Broadway
 Wichita, Ks. 67202
 James C. Toben (316) 268-2759
- Cox Communications
 801 E. Douglas
 Wichita, Ks. 67202
 Marc Henderson (316) 262-4270
- Kansas Gas Service
 1021 E. 26th St. N.
 Wichita, Ks. 67219
 James Coe (316) 832-3121

Sta. 9+963.2 Construct
 Sidewalk Ramp Type I, 4.8 m Rt.
 W = 3.6 m
 See Sh. No. 10



BM#13 "+" cut on the end of the southwest wingwall of the 10th
 Street North Bridge Elev.=397.755

BM#14 "+" cut on the end of the northeast wingwall of the 11th
 Street North Bridge Elev.=398.002

BM#16 C.O.W. disk on the southwest corner of the bridge median of
 the 13th Street North Bridge Elev.=398.809

G:\CIVIL\98169\05693\PP\05693PP1.DWG 02/14/2006 04:06:30 PM CST

KANSAS DEPARTMENT OF TRANSPORTATION

STREET IMPROVEMENTS PLAN

PROJECT NO. 87 N-0187-01 SEDGWICK CO.

M K E C ENGINEERING CONSULTANTS, INC.
 WICHITA, KANSAS

DESIGNED BY: JRA	CHECKED BY: KJS
DRAWN BY: DPG/JSB	DATE: FEB. 2006 SHEET 3 OF 47