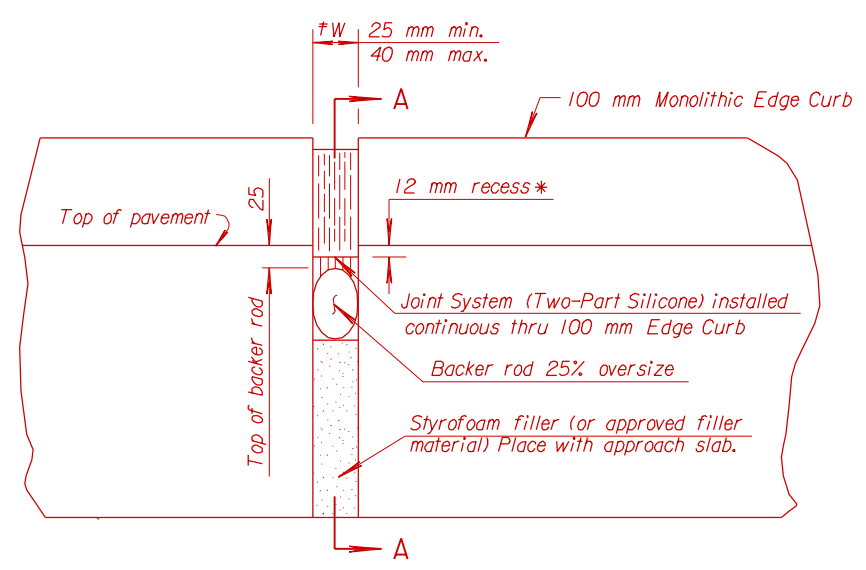
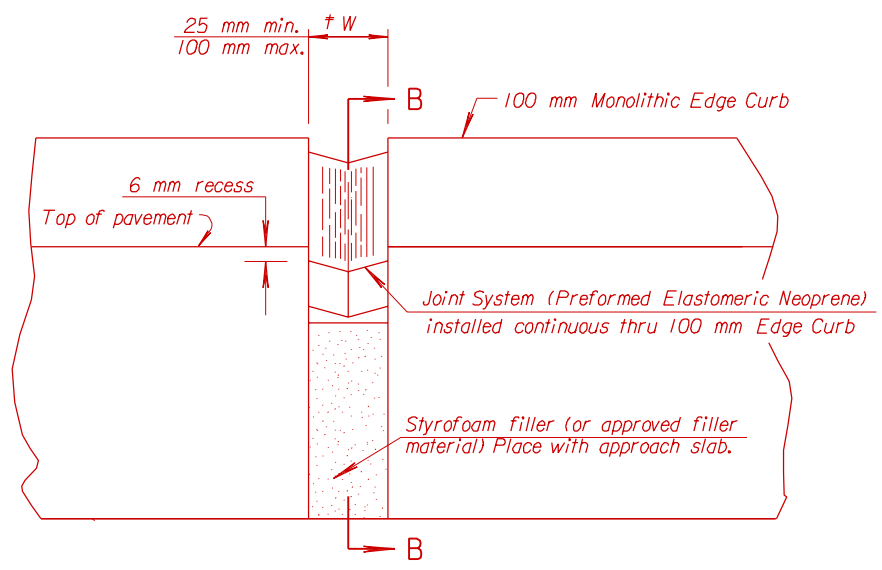


STATE	PROJECT NO.	YEAR	SHEET NO.	TOTAL SHEETS
KANSAS	87 N-1087-01	2006	8	47

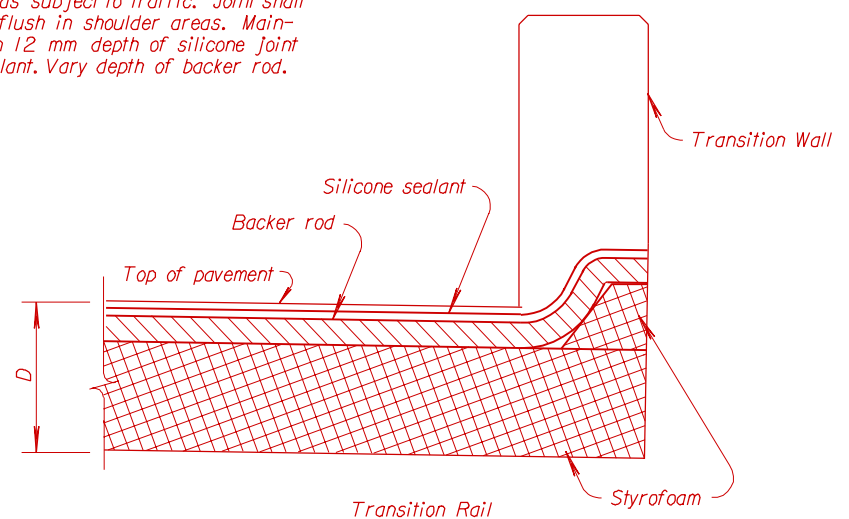


TYPE B

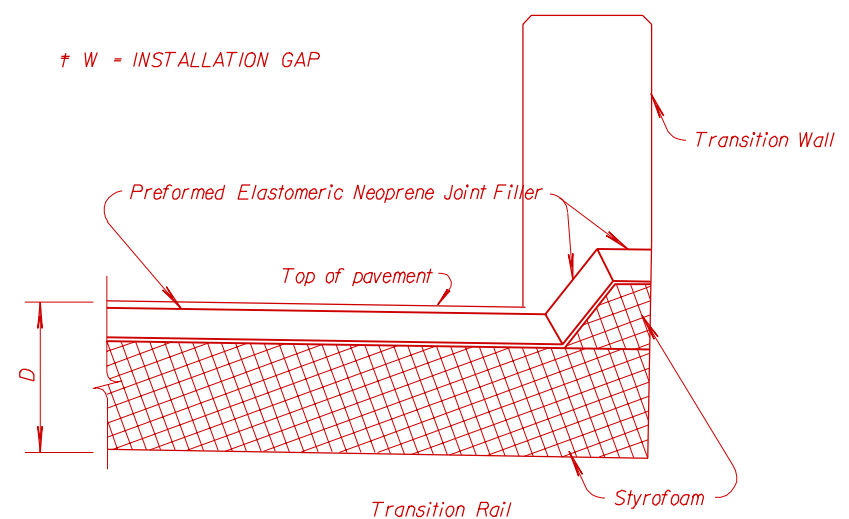


TYPE C

* Note: Joint shall be recessed 12 mm in areas subject to traffic. Joint shall be flush in shoulder areas. Maintain 12 mm depth of silicone joint sealant. Vary depth of backer rod.



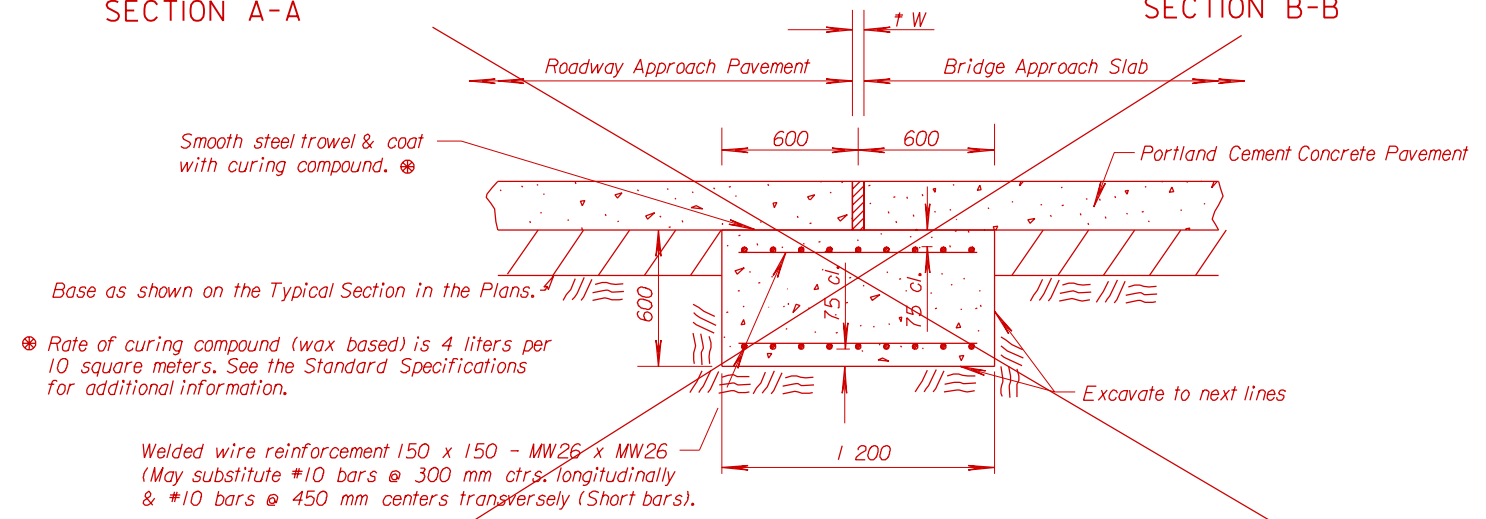
Transition Rail
TYPE B Joint thru 100 mm Edge Curb
(See Std. Drawing RD661 SI for details of 100 mm Edge Curb.)



Transition Rail
TYPE C Joint thru 100 mm Edge Curb
(See Std. Drawing RD661 SI for details of 100 mm Edge Curb.)

SECTION A-A

SECTION B-B



BRIDGE APPROACH SLAB FOOTING

GENERAL NOTES

EXPANSION JOINTS

See Concrete Bridge Approach Pavement standard drawings for location and type of expansion joints.

The joint opening shall be formed just prior to placement of the pavement approach. The material used to form the joint opening shall be removed after the pavement approach has been in place for a minimum of six days.

Cleaning and construction of the joint shall not begin until the concrete in the approach slab has cured a minimum of 7 days.

The joint shall be thoroughly cleaned by sandblasting and by high pressure air blast to remove all laitance and contaminants from the joint. When any part of the joint is shaped by saw cutting in lieu of forming, a water blast shall precede sandblasting and air cleaning.

Sandblasting shall be accomplished in two passes to clean each face of the joint (one pass for each face). The nozzle shall be held at an angle to the joint face and within 25 mm to 50 mm of the face.

Any contaminants such as oil, curing compound, etc. shall be removed by sandblasting to the satisfaction of the Engineer. Solvents, wire brushing, or grinding shall not be permitted.

The joint shall be air blasted just prior to installation of the backer rod. The air compressor used for joint cleaning shall be equipped with trap devices capable of providing moisture-free and oil-free air. Recommended pressure is 620 kPa. Immediately prior to installation of the backer rod, the joint shall be spot checked by rubbing a finger on the face of the joint to determine that residual dust or dirt has been removed. It is required that the Engineer inspect the joint immediately prior to installation of the joint material.

Traffic shall not be allowed on the joint for a minimum of 3 hours unless otherwise directed by the Engineer.

All work and materials necessary for the preparation, construction, and installation of the joint will be subsidiary to the concrete approach pavement.

TYPE B

The joint shall be sealed with "Joint System (Two-Part Silicone)" in accordance with the K.D.O.T. Specifications.

The sealant shall be installed immediately after the backer rod is placed. The faces of the joint shall be completely free of any dampness or free water. Placement of the rod and sealant shall not begin when there is any expectation of rain or moisture occurring before the joint can be completed.

The sealant shall be installed to the depth shown in the details but shall not be greater than 12 mm deep at any location. The sealant shall be a silicone material Type II (Self Leveling).

Sealant shall not be installed when air temperature is less than 4° C or when air temperature is expected to be less than 4° C within 3 hours after installation is complete.

TYPE C

A joint will be provided as shown in the details. The seal will be recessed 6 mm below slab grade. The seal will be a "Joint System (Preformed Elastomeric Neoprene)". The seal shall be installed as per product specifications to provide a watertight joint throughout the roadway. See K.D.O.T. Specifications.

If the finished joint will be spliced, an epoxy adhesive shall be used to provide a watertight seal at the splice.

BRIDGE APPROACH SLAB FOOTING

Payment for the Bridge Approach Slab Footing shall be at the unit price bid per cubic meter for "Bridge Approach Slab Footing" which price shall be full compensation for furnishing all materials and labor including Concrete Grade 28 (AE), Reinforcing Steel (Gr. 420) (Epoxy Coated), excavation, and materials used to prevent bonding of concrete.

3	4-20-05	Revised reinforcement callout	S.W.K.	J.O.B.
2	9-30-03	Added Bridge Approach Slab Footing, Mod. Type B Jt. Dim. 100 mm Edge Curb	S.W.K.	J.O.B.
1	8-17-99	Deleted Type A and Type D Exp. Jt.	R.J.S.	J.O.B.
NO.	DATE	REVISIONS	BY	APP'D

KANSAS DEPARTMENT OF TRANSPORTATION
**BRIDGE APPROACH SLAB
EXPANSION JOINT DETAILS/
BRIDGE APPROACH SLAB FOOTING**
RD662-SI

DESIGNED	6-13-05	APP'D	James O. Brewer
DESIGN CK.	DETAIL CK.	QUANTITIES	TRACE D. Bowser
		QUAN. CK.	TRACE CK. King

Drawn By: examples
Plotted: 7/27/2006
File: g:\CIVIL\198169106699\DCN\rd662ai.dgn