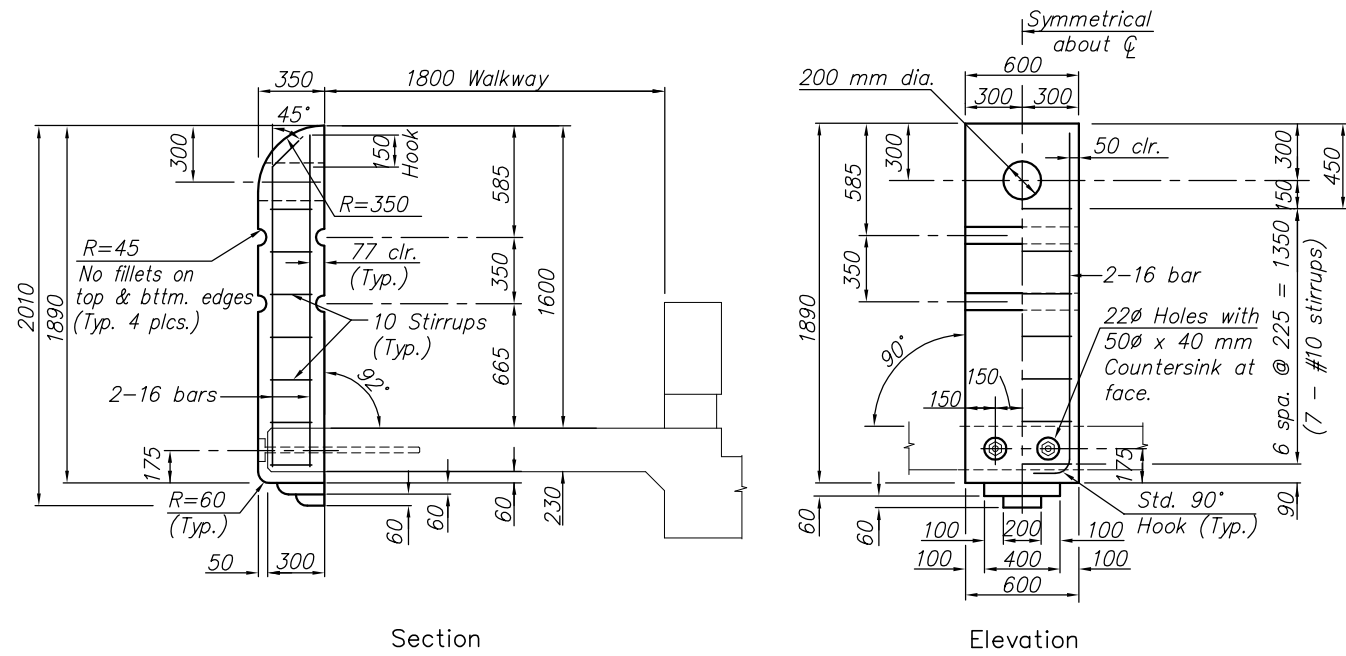


STATE	PROJECT NO.	YEAR	SHEET NO.	TOTAL SHEETS
KANSAS	87 N-0187-01	2006	23	47

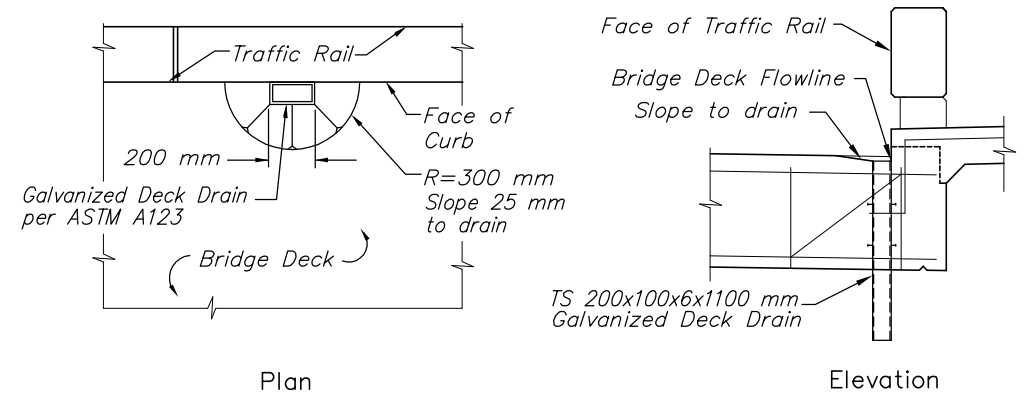


Section

Elevation

PRECAST CONCRETE COLUMN DETAIL

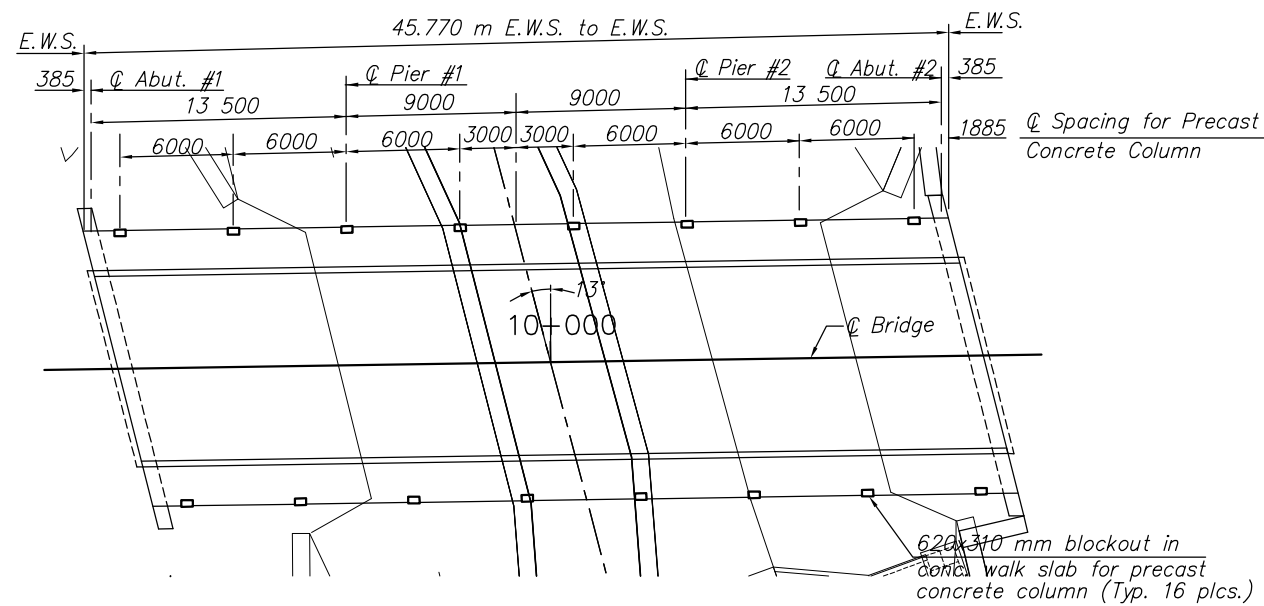
The precast concrete column shall have a sandblast finish. Use 9 mm fillet on all concrete edges except as noted.



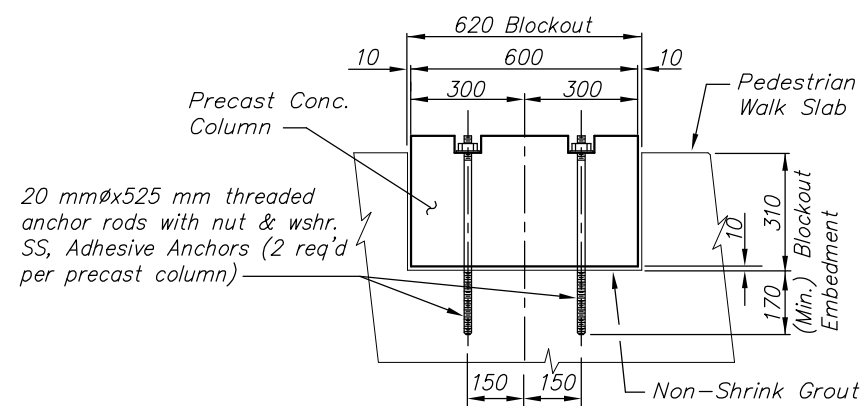
Plan

Elevation

DECK DRAIN LAYOUT

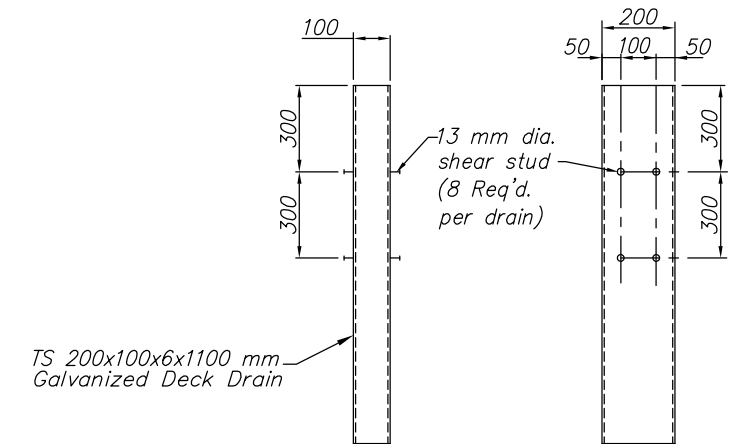


PRECAST CONCRETE COLUMN LAYOUT - PLAN



TYPICAL BLOCKOUT PLAN FOR PRECAST CONC. COLUMNS

1. Use galvanized metal shims to adjust vertical alignment of precast columns. Place non-shrink grout between column and sidewalk.



DECK DRAIN DETAIL

G:\CIVIL\98169\05693\BRIDGE\05693COL.DWG 02/15/2006 02:44:04 PM CST

KANSAS DEPARTMENT OF TRANSPORTATION	
BR. NO. 53040087WDC150	STA. 10+00.00
PEDESTRIAN HANDRAIL DECK DRAIN DETAIL	
PROJECT NO. 87 N-0187-01	SEDGWICK CO.
M K E C ENGINEERING CONSULTANTS, INC. WICHITA, KANSAS	
DESIGNED BY: KJS	CHECKED BY: KJS
DRAWN BY: DPG/JSB	DATE: DEC. 2005 SHEET 23 OF 47