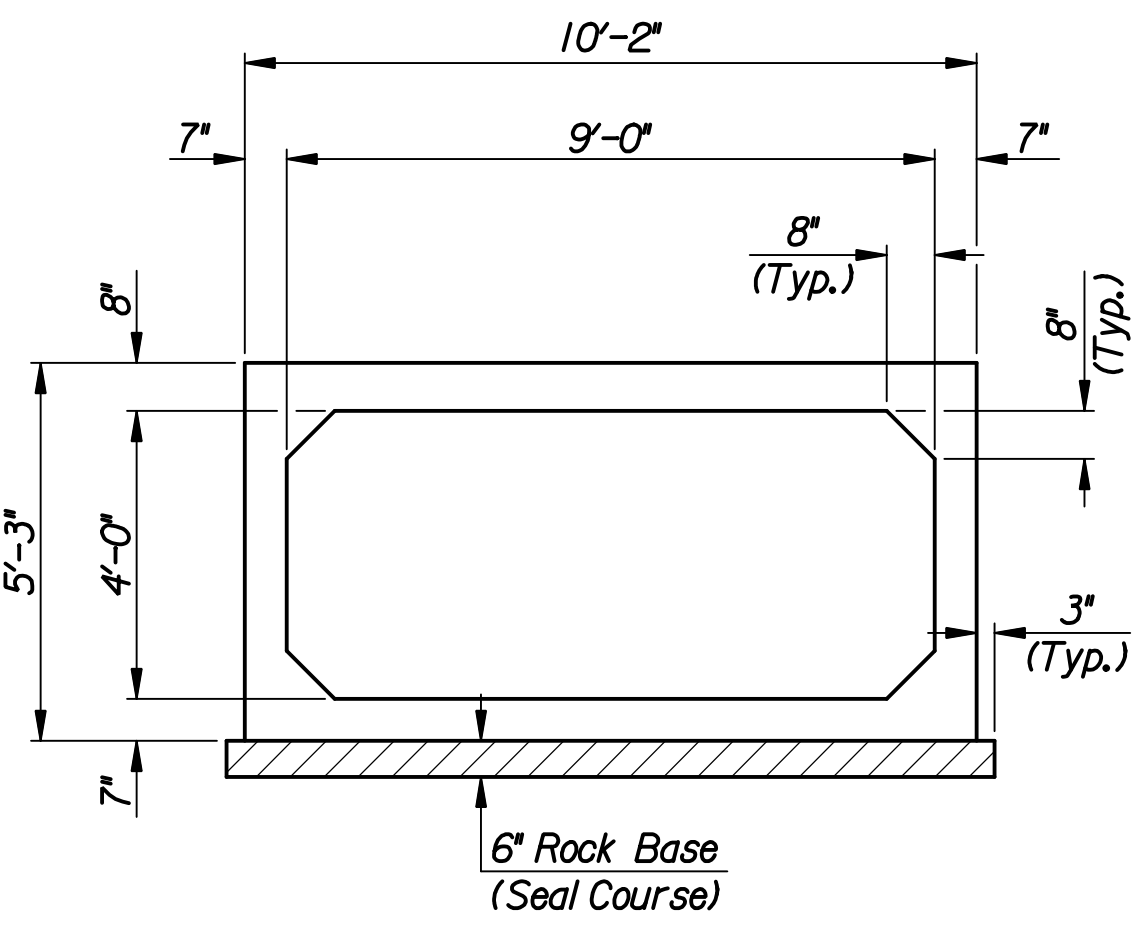
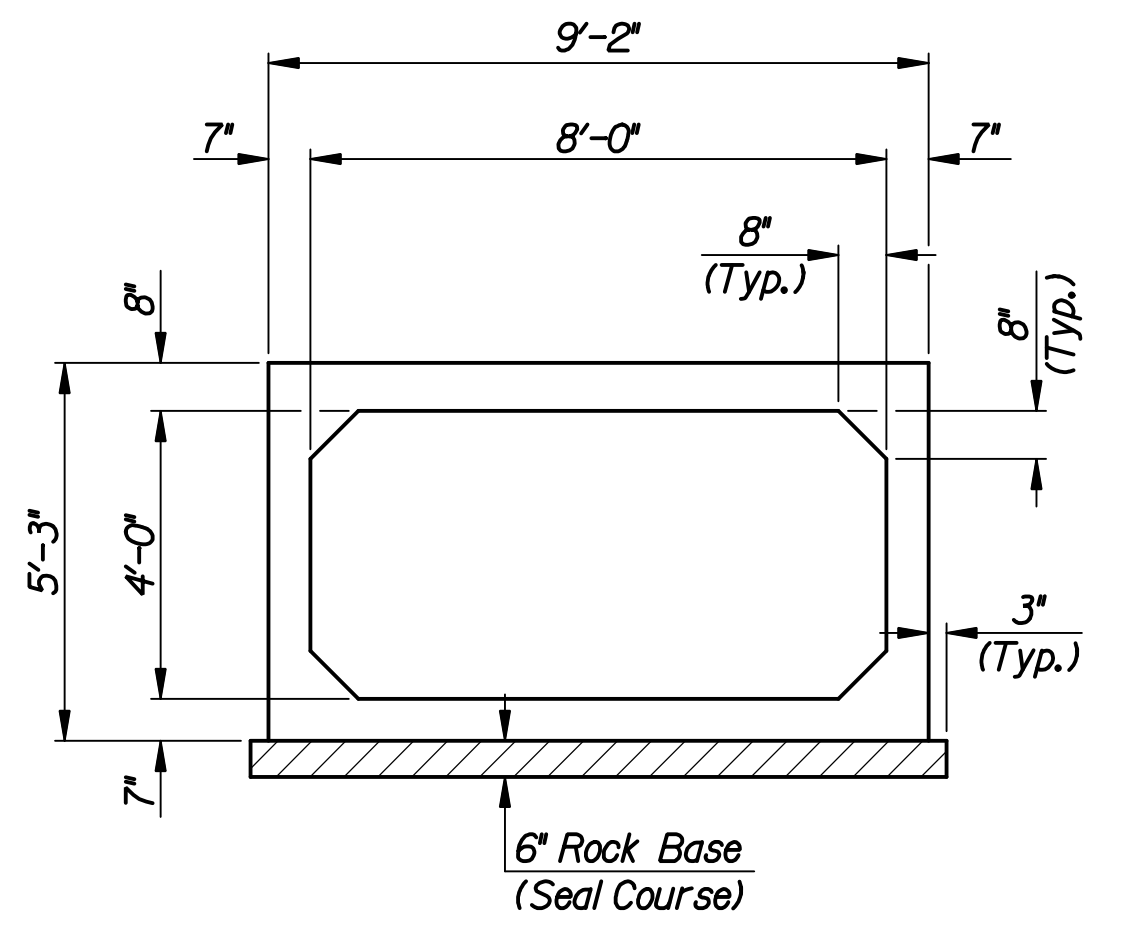


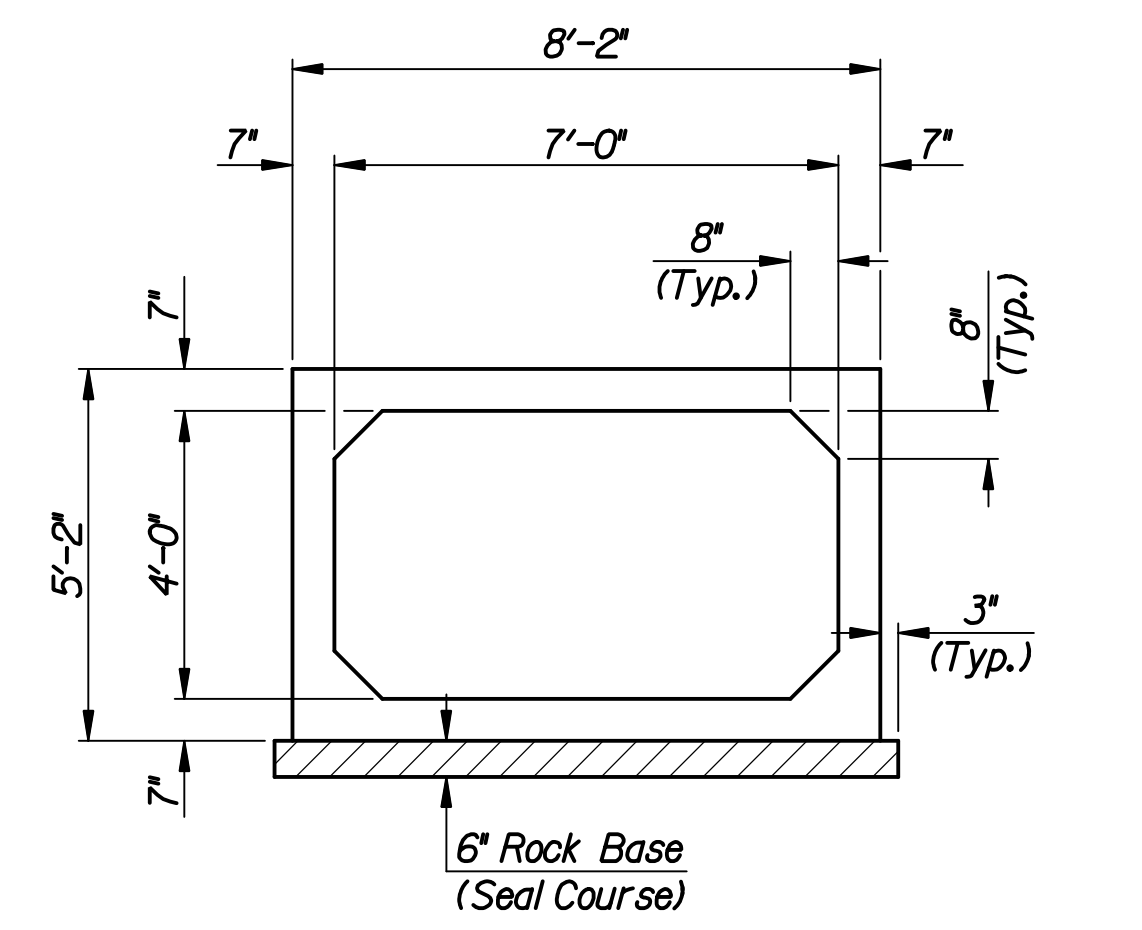
SECTION A-A



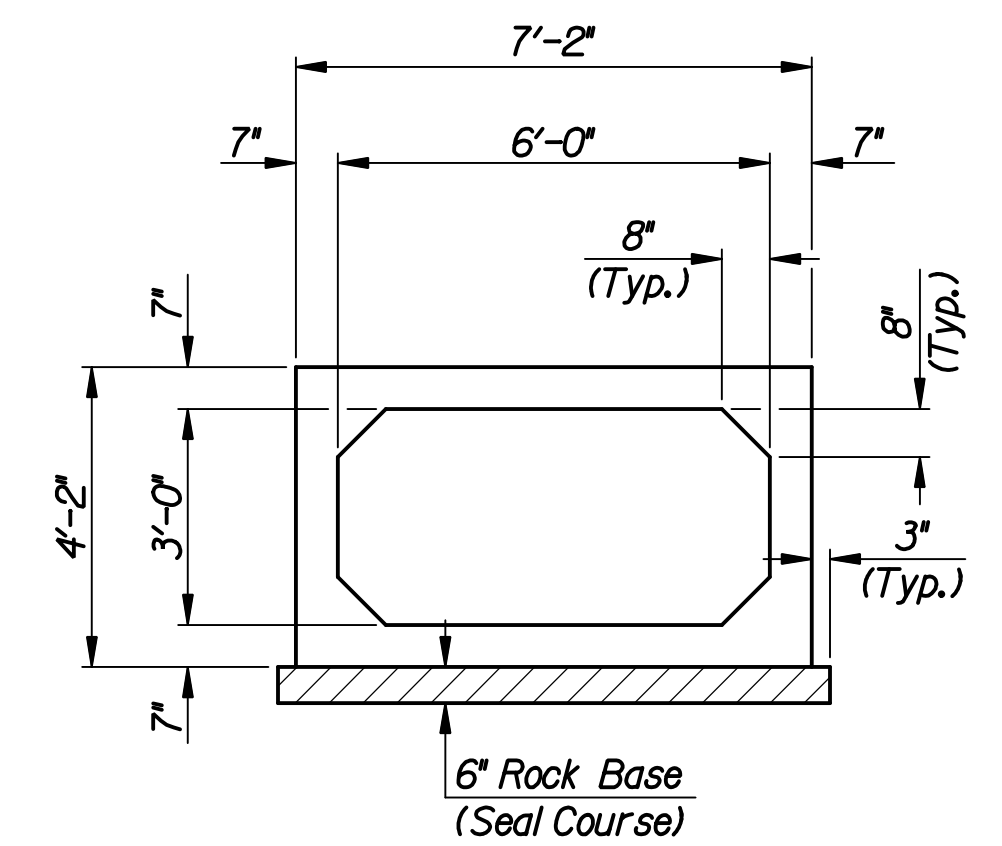
SECTION B-B



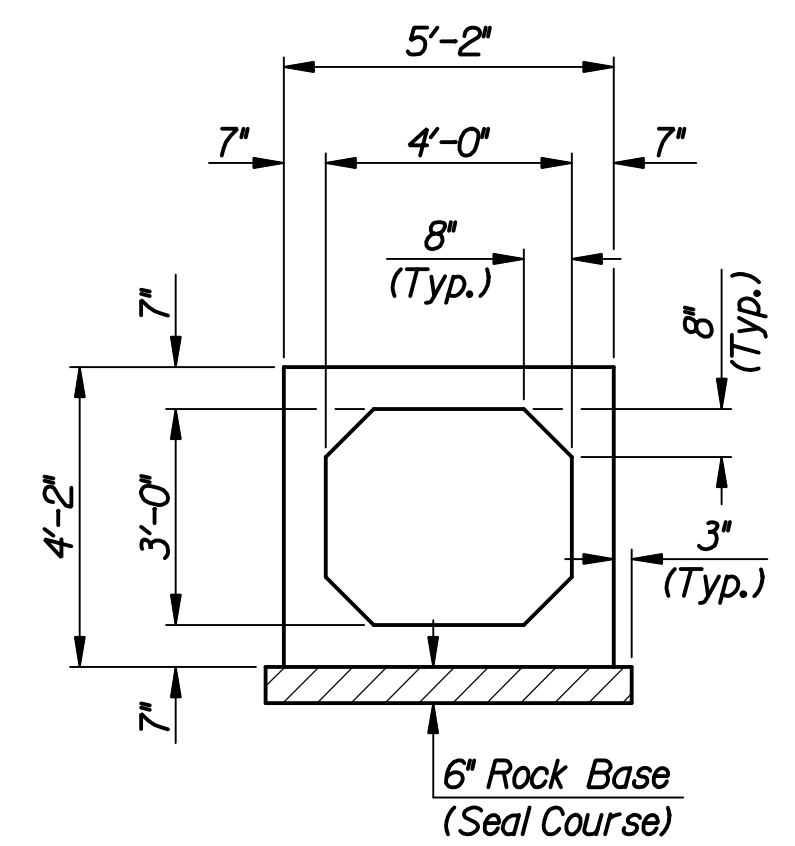
SECTION C-C



SECTION D-D



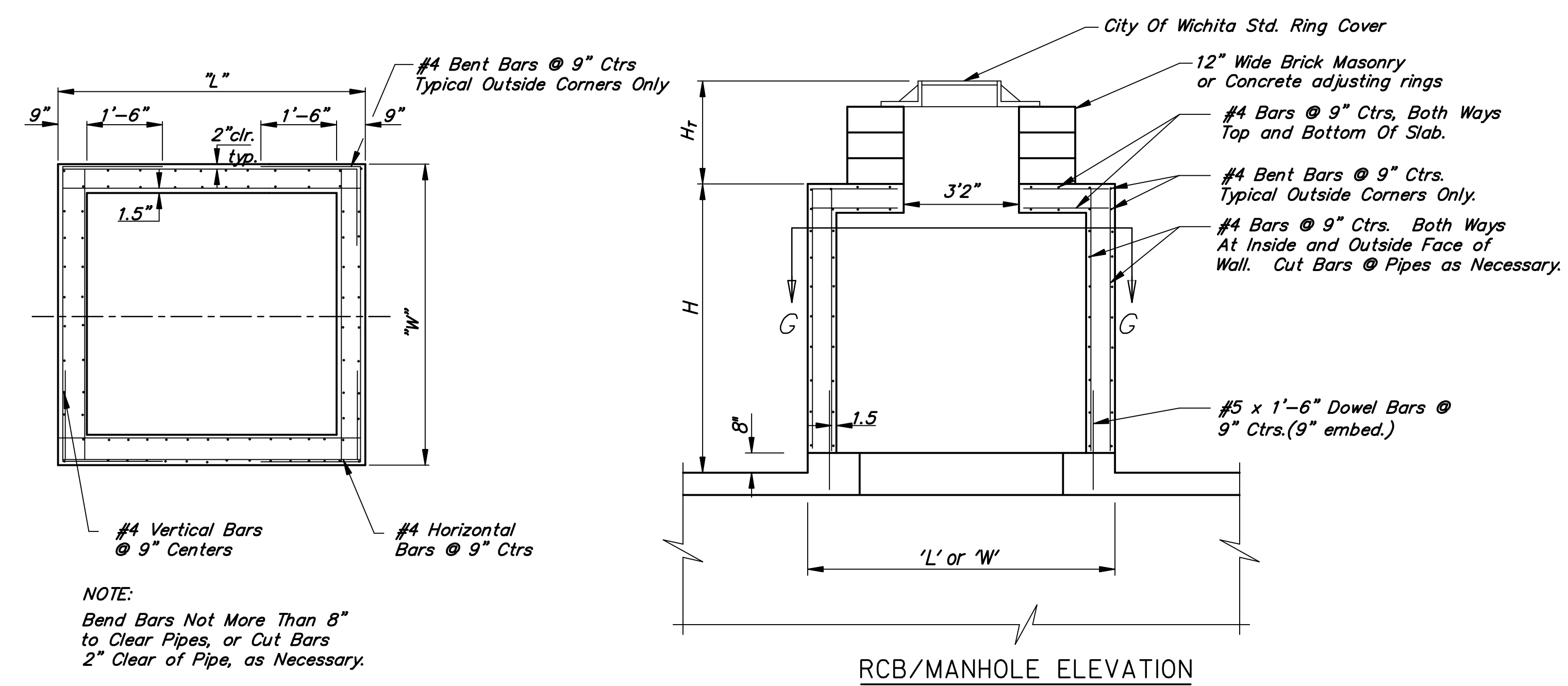
SECTION E-E



SECTION F-F

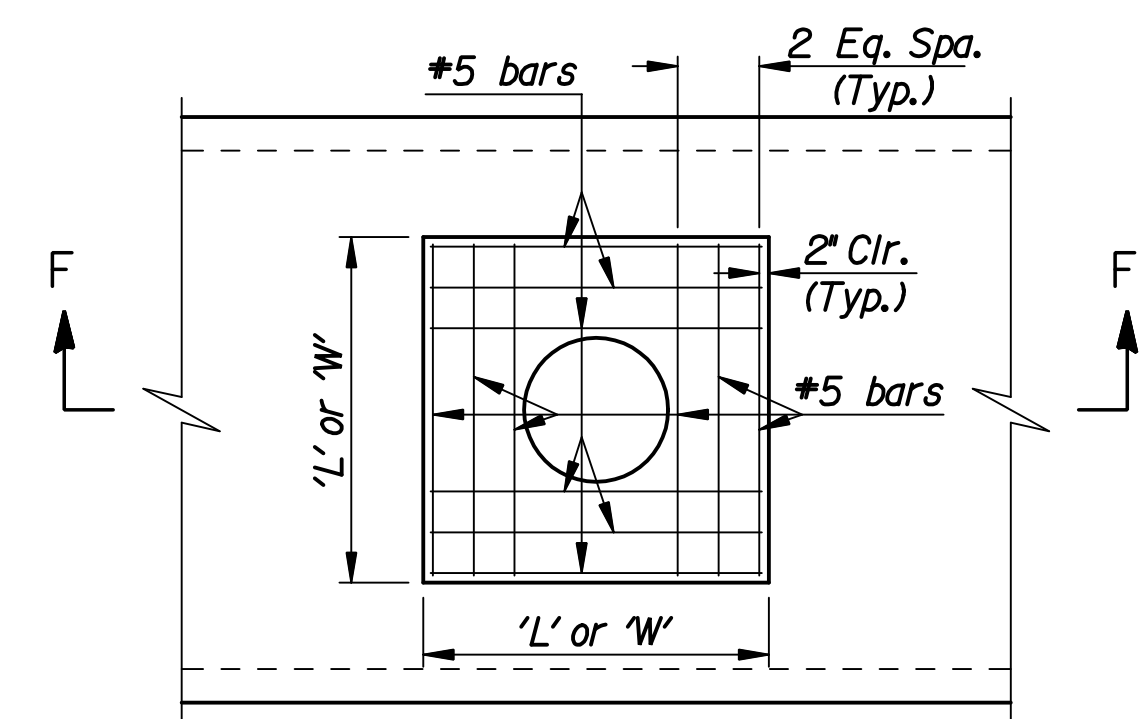
SWS LINE NO. 200
 Note: Dimensions vary where AREMA Design is required.

See Sheet D22 for Manhole Ring and Cover Details and applicable notes for manhole construction.

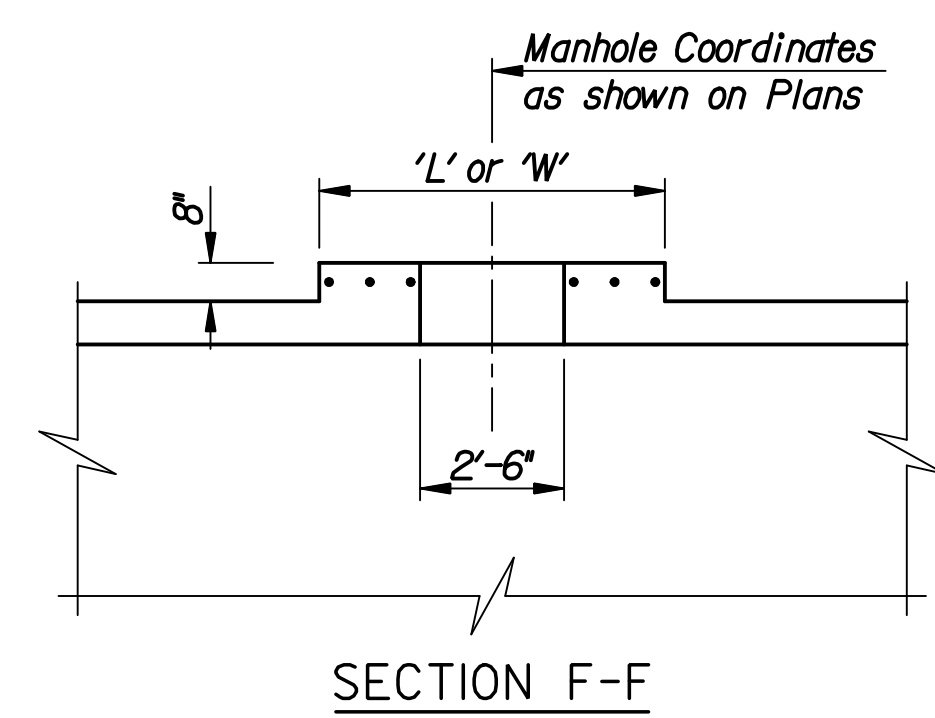


RCB/MANHOLE ELEVATION

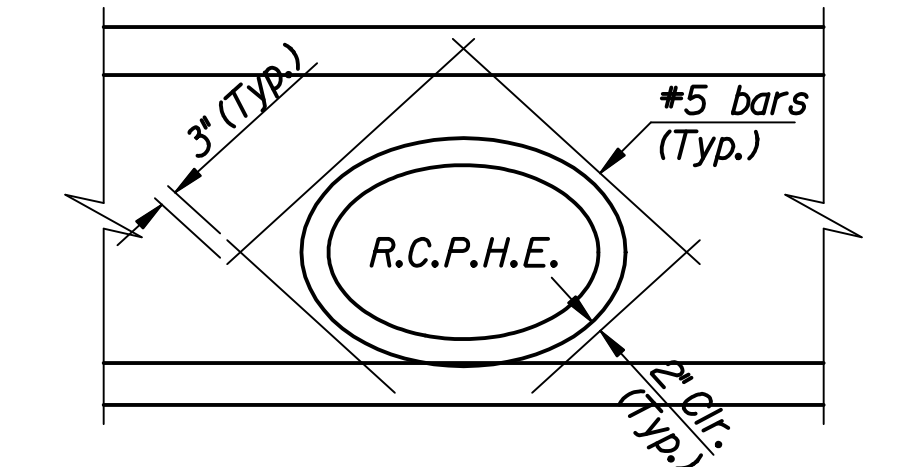
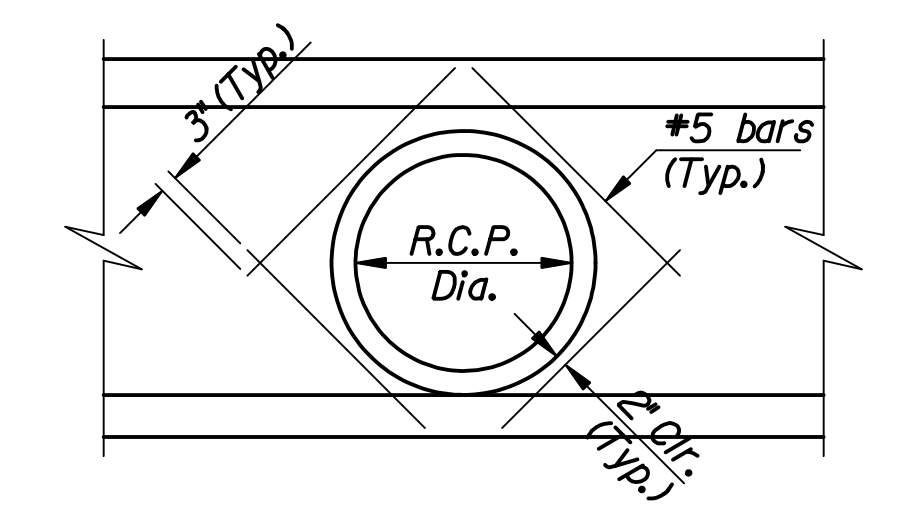
NOTE:
 Bend Bars Not More Than 8" to Clear Pipes, or Cut Bars 2" Clear of Pipe, as Necessary.



TYPICAL RCB MANHOLE ACCESS
 See Storm Sewer Plans Manhole Details (Subsidiary to RCB construction)

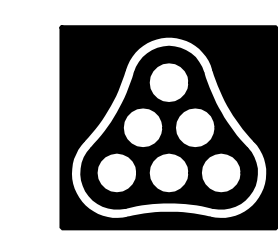


SECTION F-F



TYPICAL PIPE OPENINGS
 Elevation views showing typical locations of SWS penetrations into R.C.B.

Plotted: 2-23-2007 drp
 Plot Scale: 1"=40'
 P:\2005\05493-2\Waterman\05493-002-Typical.dgn



No.	Revision	By	Date
DOWNTOWN ARENA SWD OUTFALL PHASE 2 - WATERMAN PORTION			
TYPICAL RCB SECTIONS AND MISCELLANEOUS DETAILS			
JAMES L. ARMOUR, P.E. - CITY ENGINEER CITY OF WICHITA PROJECT NO. 468-84167			
Professional Engineering Consultants, P.A. 303 S. TOPEKA • WICHITA, KANSAS 67202 316-262-2691 • FAX 316-262-3003			
Designed by	MSN	Job No.	32-05493-2-42
Drawn by	MSN	Date	Feb., 2007
			Sht. D26 of D35