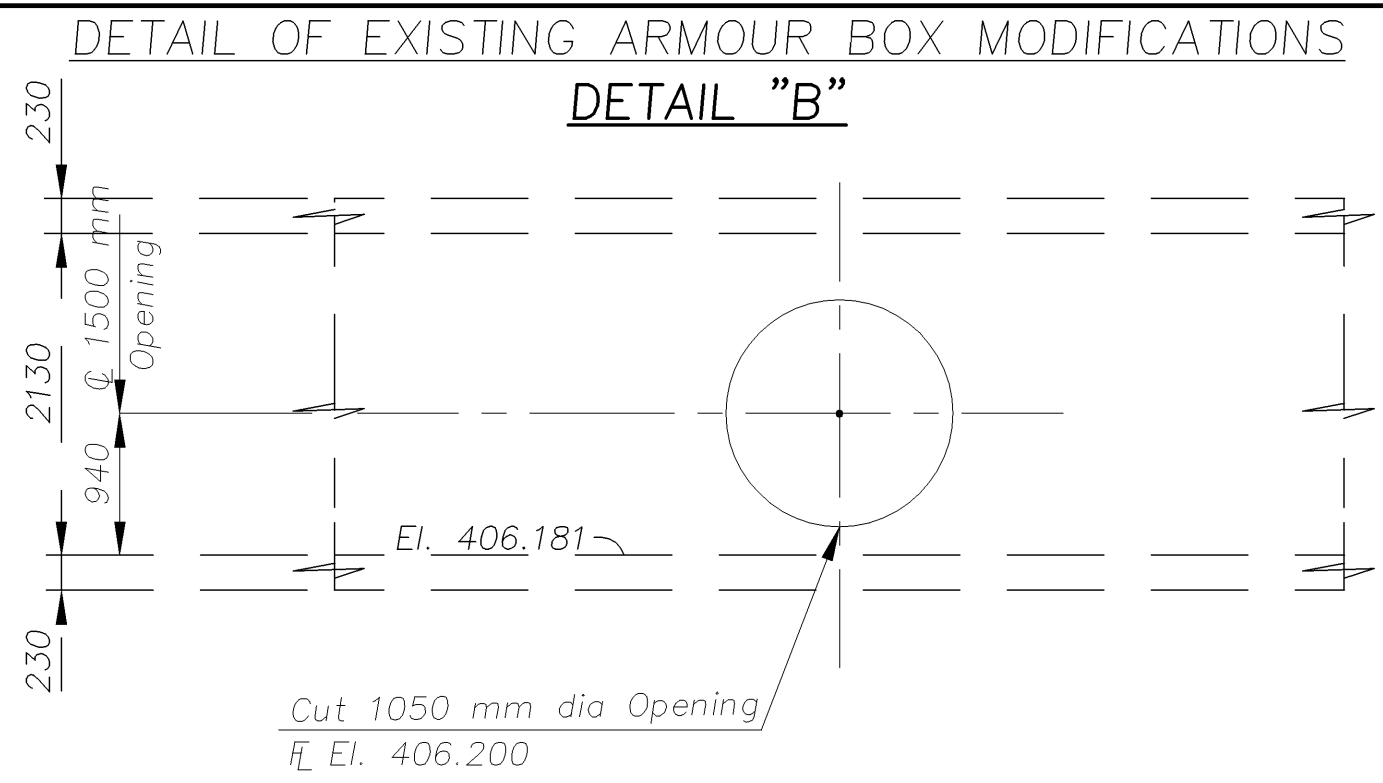


STATE	PROJECT NO.	YEAR	SHEET NO.	TOTAL SHEETS
KANSAS	54-87 K-8258-04	2004	17	60

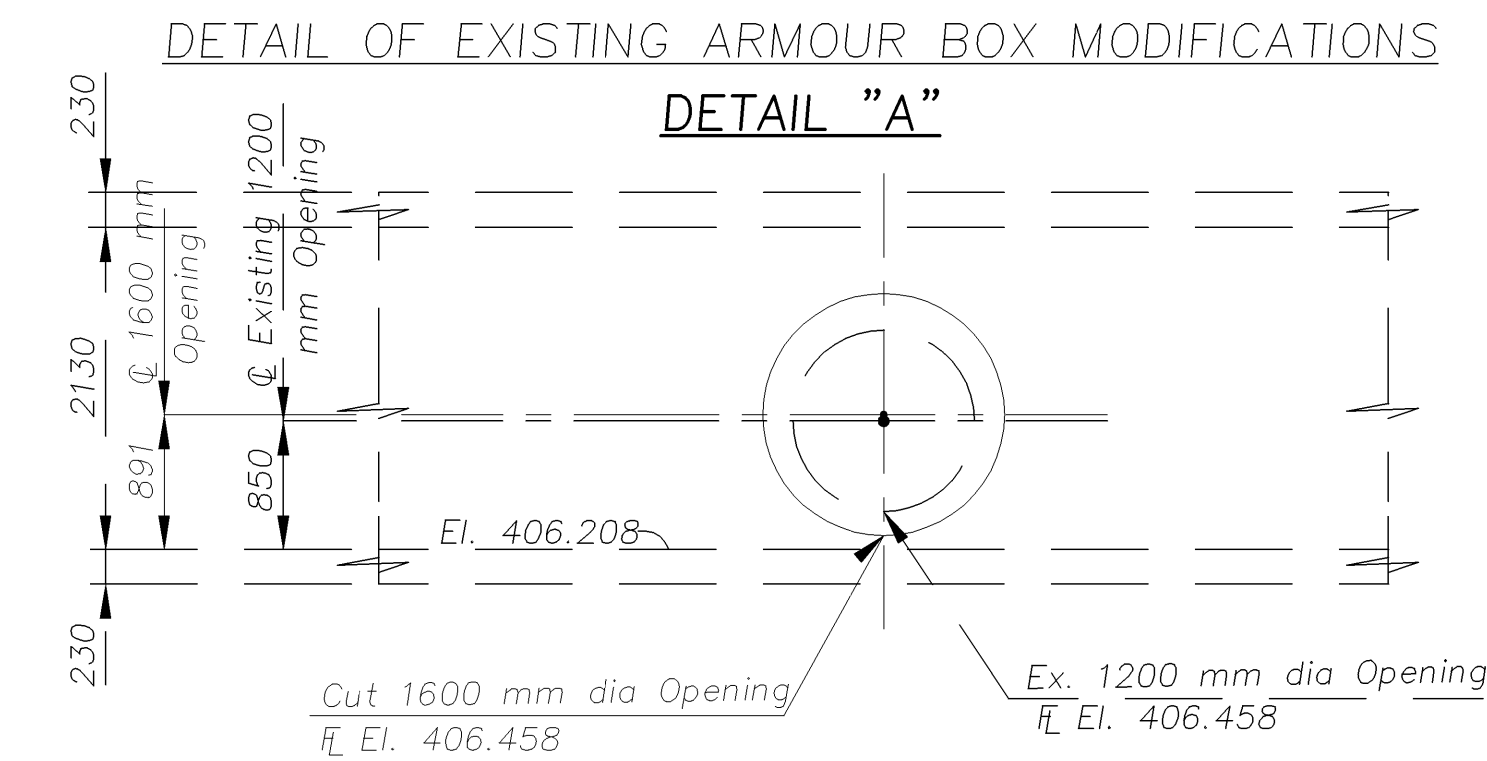
Scale: 1:500

DATE	BY



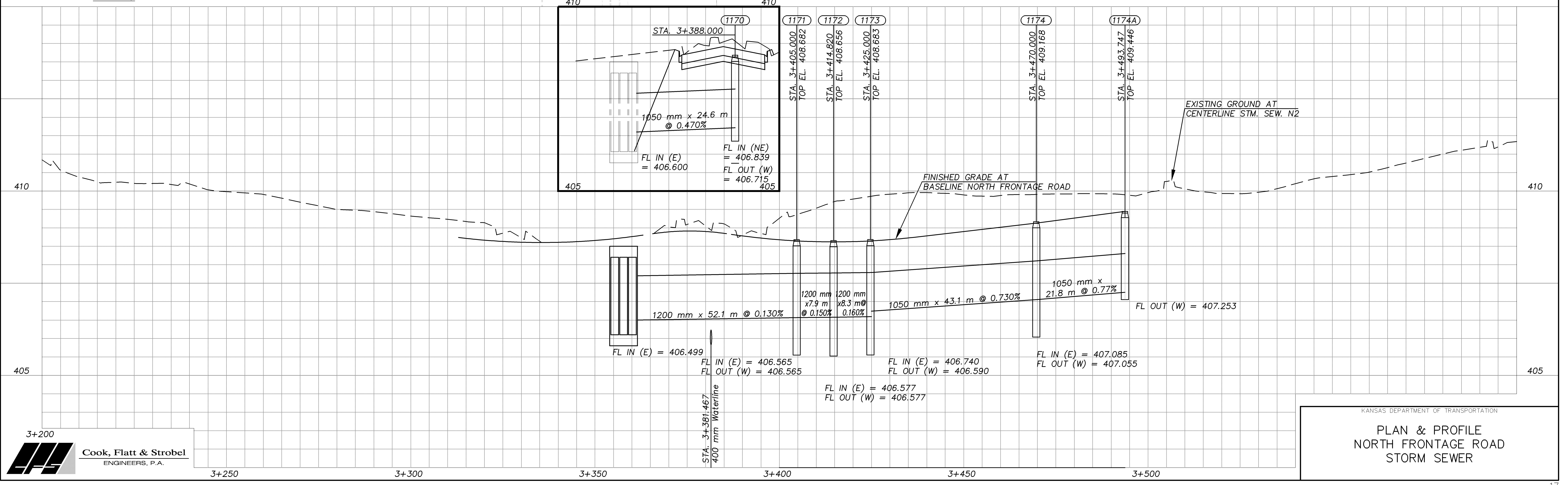
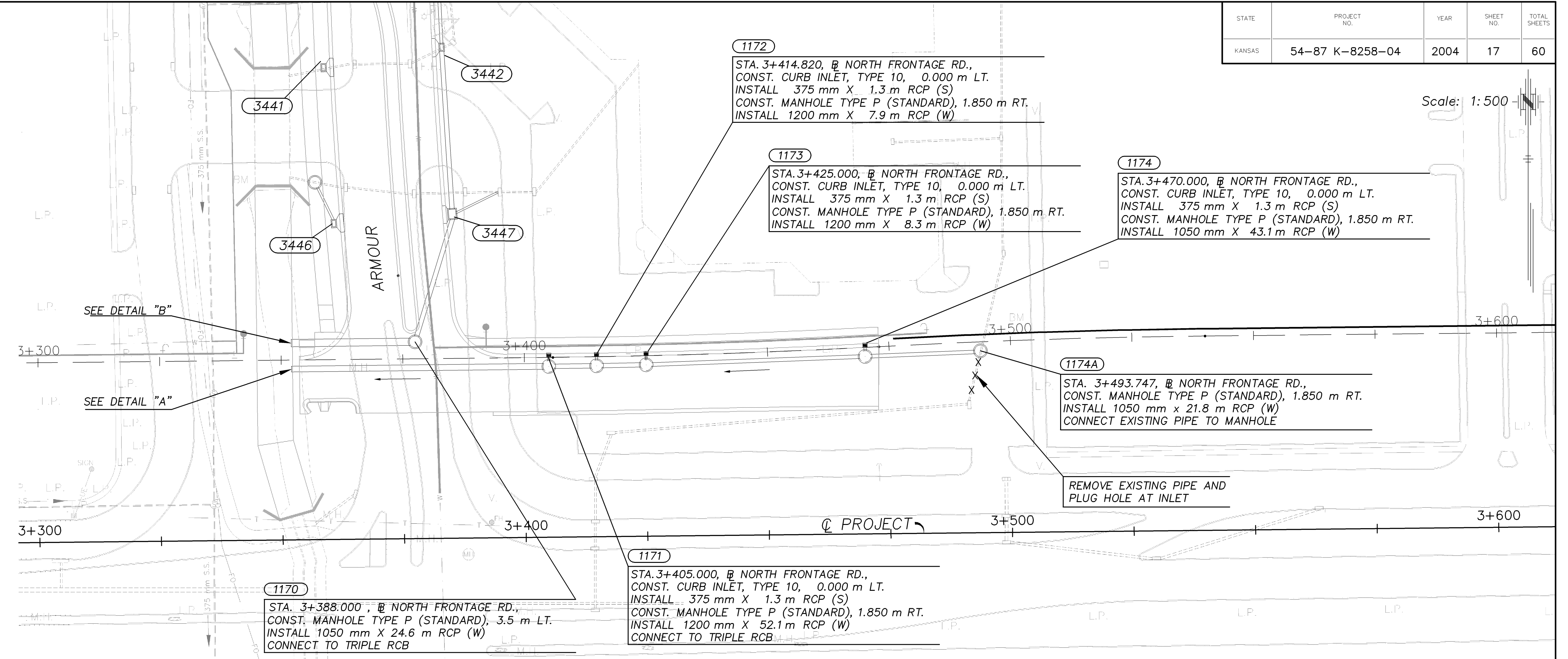
ELEVATION VIEW OF 1500 mm OPENING

Removal of the existing structure will not be paid for directly but shall be subsidiary to other items of the contract.



ELEVATION VIEW OF EXISTING 1200 mm OPENING

Existing opening shall be enlarged as shown. Removal of the existing structure will not be paid for directly but shall be subsidiary to other items of the contract.



3+200
 Cook, Flatt & Strobel
 ENGINEERS, P.A.
 3+250

KANSAS DEPARTMENT OF TRANSPORTATION
 PLAN & PROFILE
 NORTH FRONTAGE ROAD
 STORM SEWER