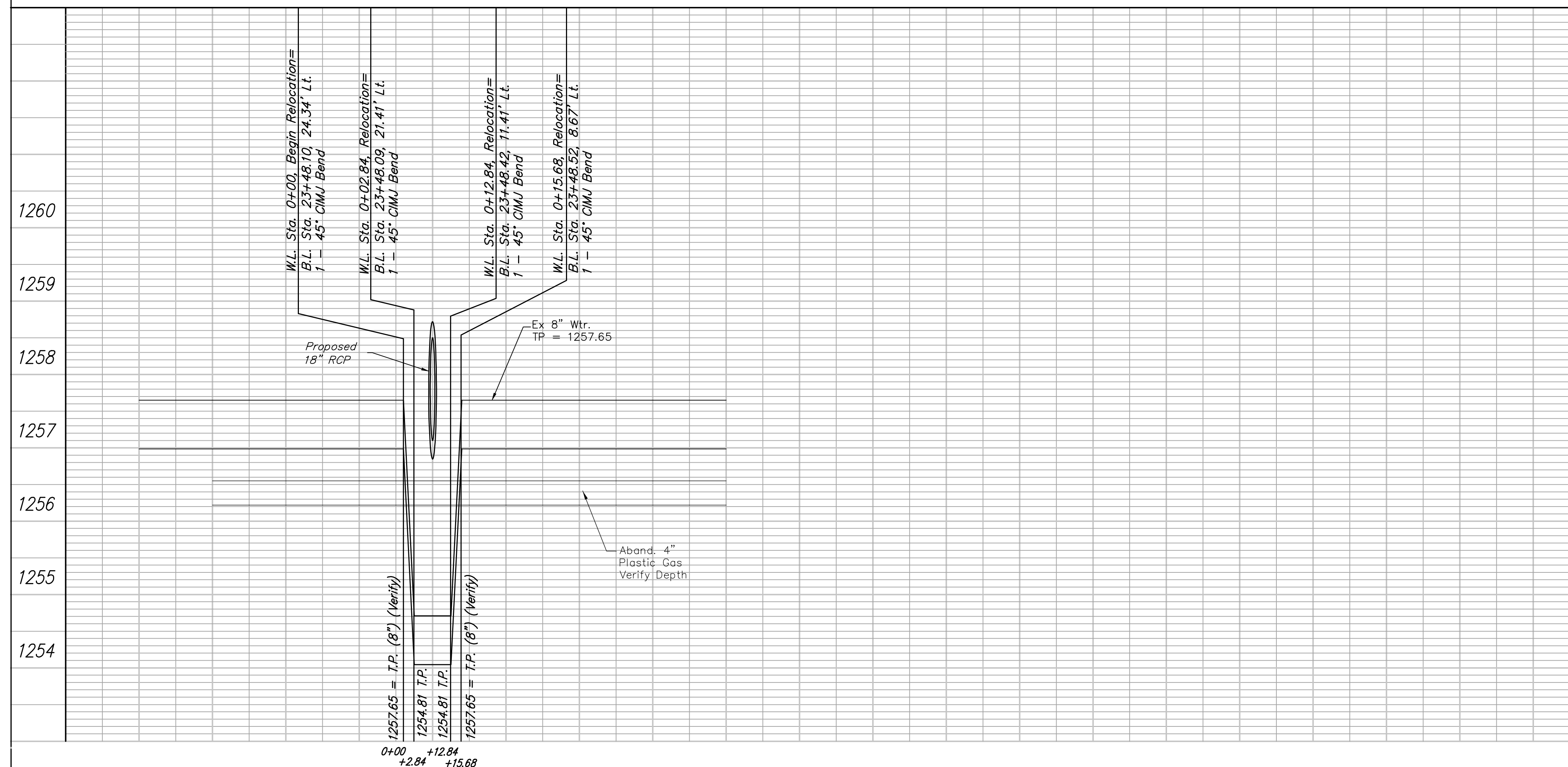
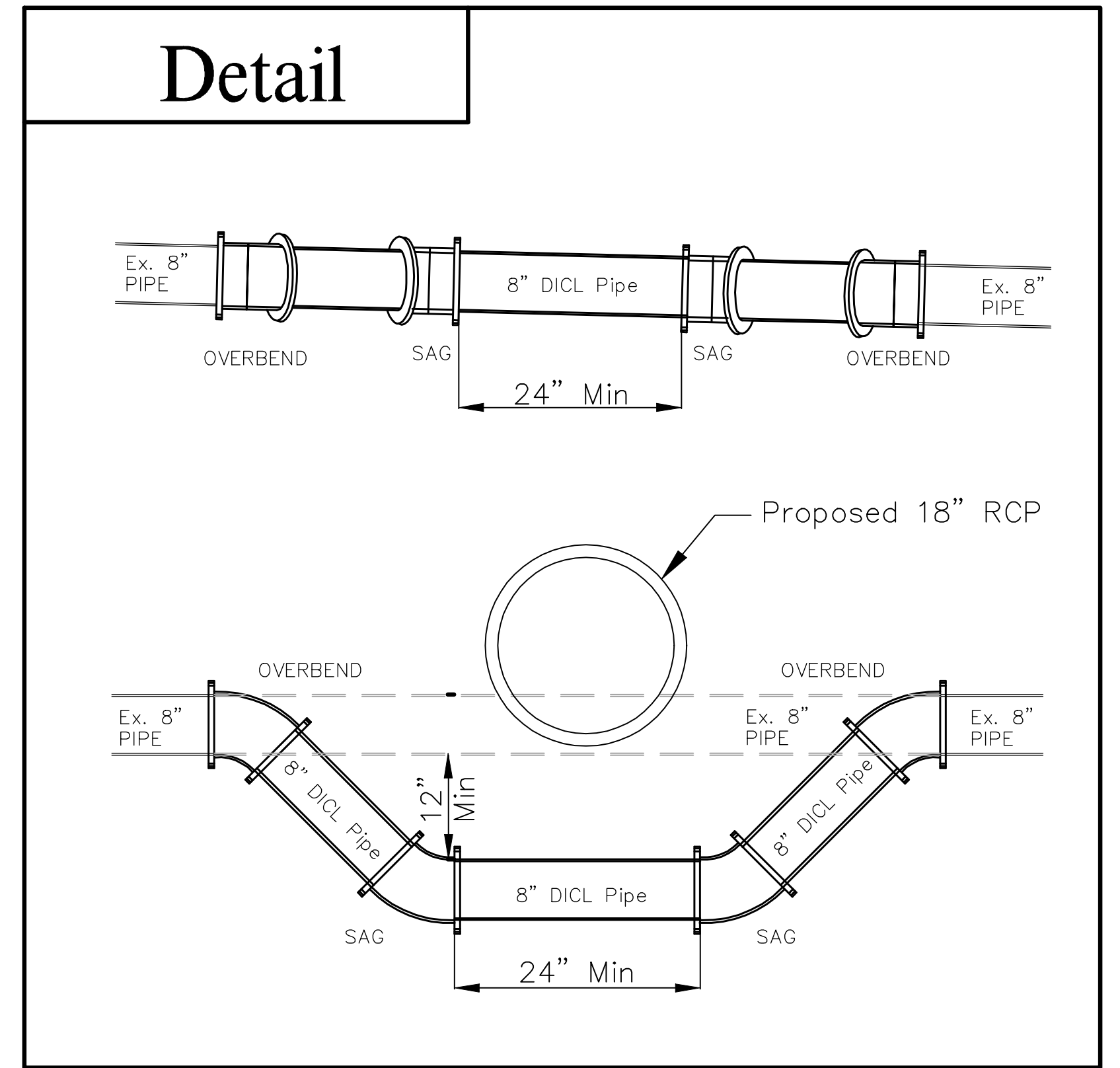


GENERAL WATER NOTES

- Opening and closing of water valves shall be done slowly to prevent damage to the distribution system by a water hammer. All valves that are closed by the Contractor must be reopened as new construction permits. The Project Inspector must ascertain that any valve closed by the Contractor is reopened. The Contractor will be permitted to operate a water valve only when the Project Inspector assigned to the project is present.
- Valves are to be marked with lengths of 2 x 4's, painted blue, and extended 5' above the ground at all locations. Cost to be INCIDENTAL to valve installation.
- The water main shall be constructed on the alignment shown by the plans. Trees and shrubs that are in the public right-of-way and which are in direct conflict with the proposed construction shall be removed by the Contractor with the Engineer's approval. Trees and shrubs which are not in direct conflict with the proposed construction shall be saved, trimmed as necessary, and protected from damage. The cost for any necessary tree trimming, clearing, and/or grubbing shall be INCIDENTAL to "R\W Clearing and Site Preparation".
- Adjustment of proposed valves shall be INCIDENTAL to valve installation. Adjustment of existing valves shall be paid for as Valve adjustment.
- Power Poles within close proximity to the proposed water line may require temporary bracing to facilitate construction. Contractor shall contact Jim Horton with KG&E at 261-6311 prior to construction to coordinate pole bracing.
- All existing roadway, sidewalks, and drive pavement removed due to construction of proposed waterline shall be temporarily replaced to maintain traffic flow and shall be considered INCIDENTAL to other items in the Project.



Drawing File: F:\ENG\HYDRAULIC_PHS3\LAND\DWG\BASEMAP.DWG
 Project No. PROJECT
 Design: AZIERE
 Drawn: STAFF
 Approved: JFB
 Scale: NOTED

WATERLINE
 RELOCATIONS
 HYDRAULIC_PHASE_3FROM_57TH_TO_63RD

Baughman Company, P.A.
 315 Ellis St. Wichita, KS 67211 P 316-262-7271 F 316-262-0149
 ENGINEERING | SURVEYING | PLANNING | LANDSCAPE ARCHITECTURE