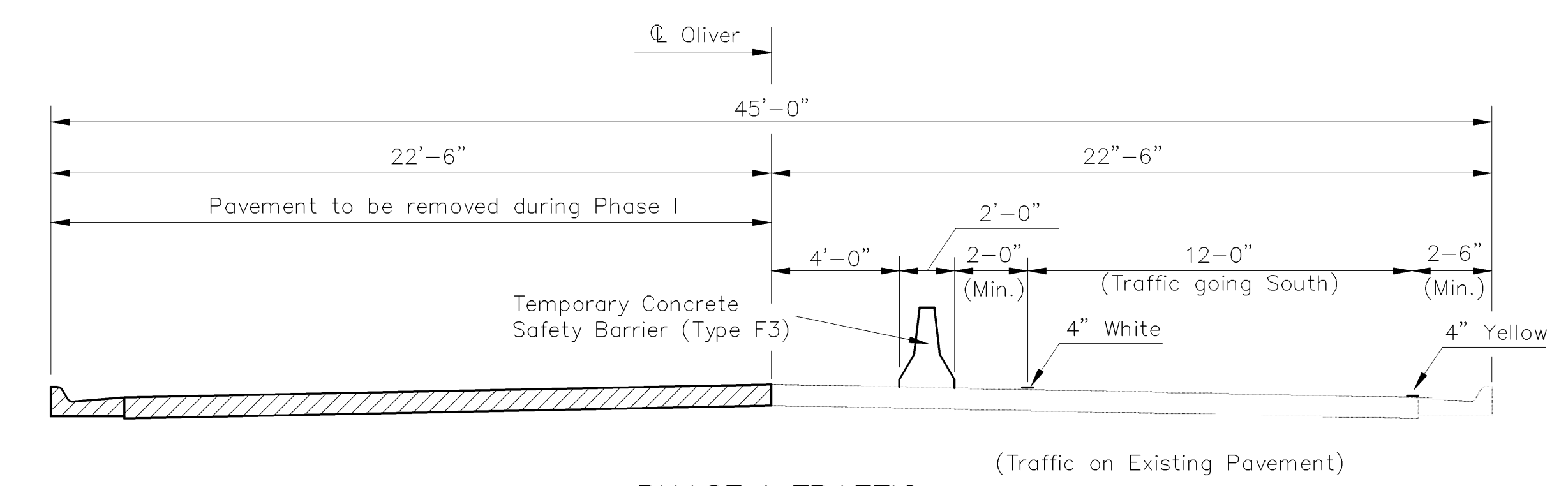
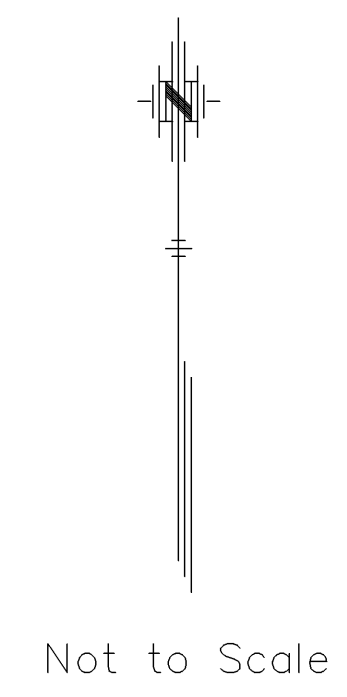
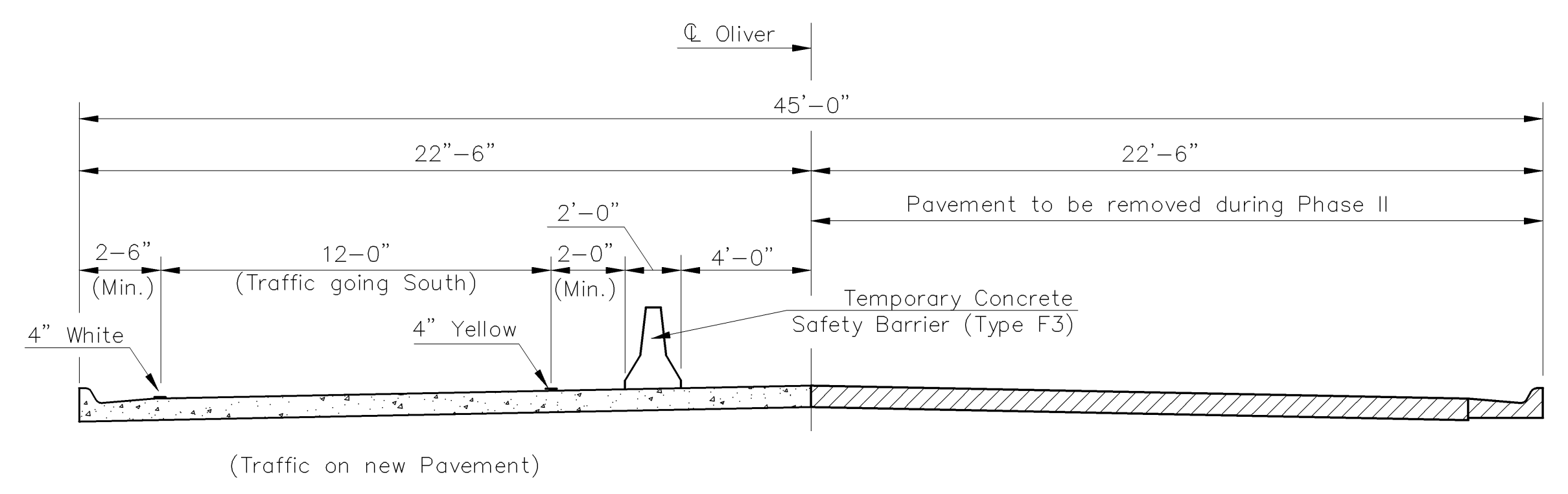


STATE	PROJECT NO.	YEAR	SHEET NO.	TOTAL SHEETS
KANSAS	87 N-0247-01	2005	34	48



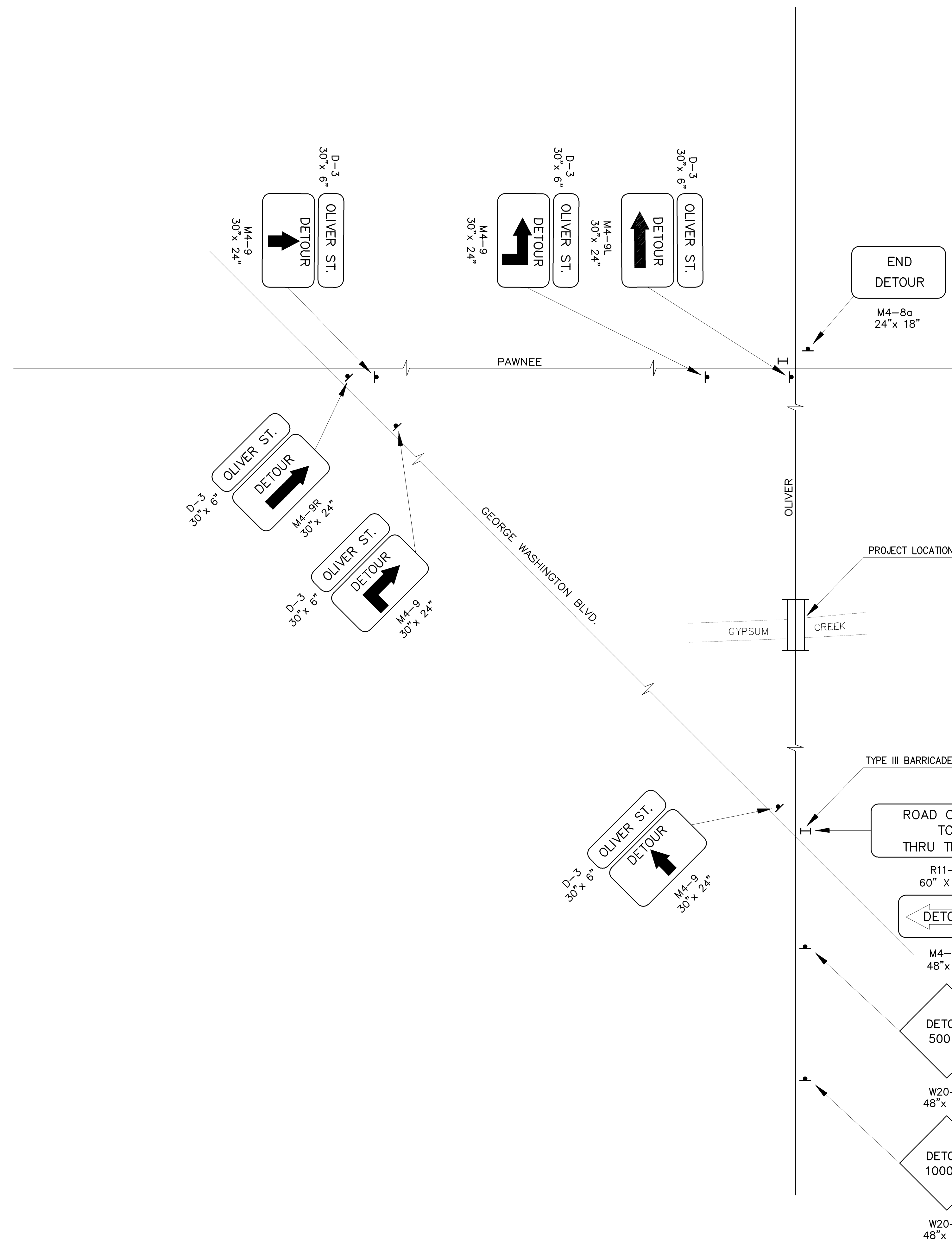
PHASE I TRAFFIC
Looking Ahead Station

TRAFFIC ON
One Lane Southbound traffic on new pavement for Southbound lanes.
Detour Northbound traffic along George Washington Blvd. to Pawnee then back to Oliver.



PHASE II TRAFFIC
(Traffic moved to new Pavement)
Looking Ahead Station

TRAFFIC ON
One Lane Southbound traffic on new pavement for Southbound lanes.
Detour Northbound traffic along George Washington Blvd. to Pawnee then back to Oliver.



LEGEND
* Mount on Type III Barricade
See Sh. 33 for Typical Traffic Control Signing at Project.

OLIVER
PROJECT NO. 87 N-0247-01
DETOUR SIGNING
PHASE I & II
BRIDGE OVER GYPSUM CREEK
STA. 26+53.80
CITY OF WICHITA

CFS
Cook, Flatt & Strobel
ENGINEERS, P.A.
DESIGNED RSC SCALE
DETAILED EES DATE
QUANTITIES EES SHEET OF

1:100 (1:0.1)

J:\3003PROJ\03548\DWGS\TRAFFIC