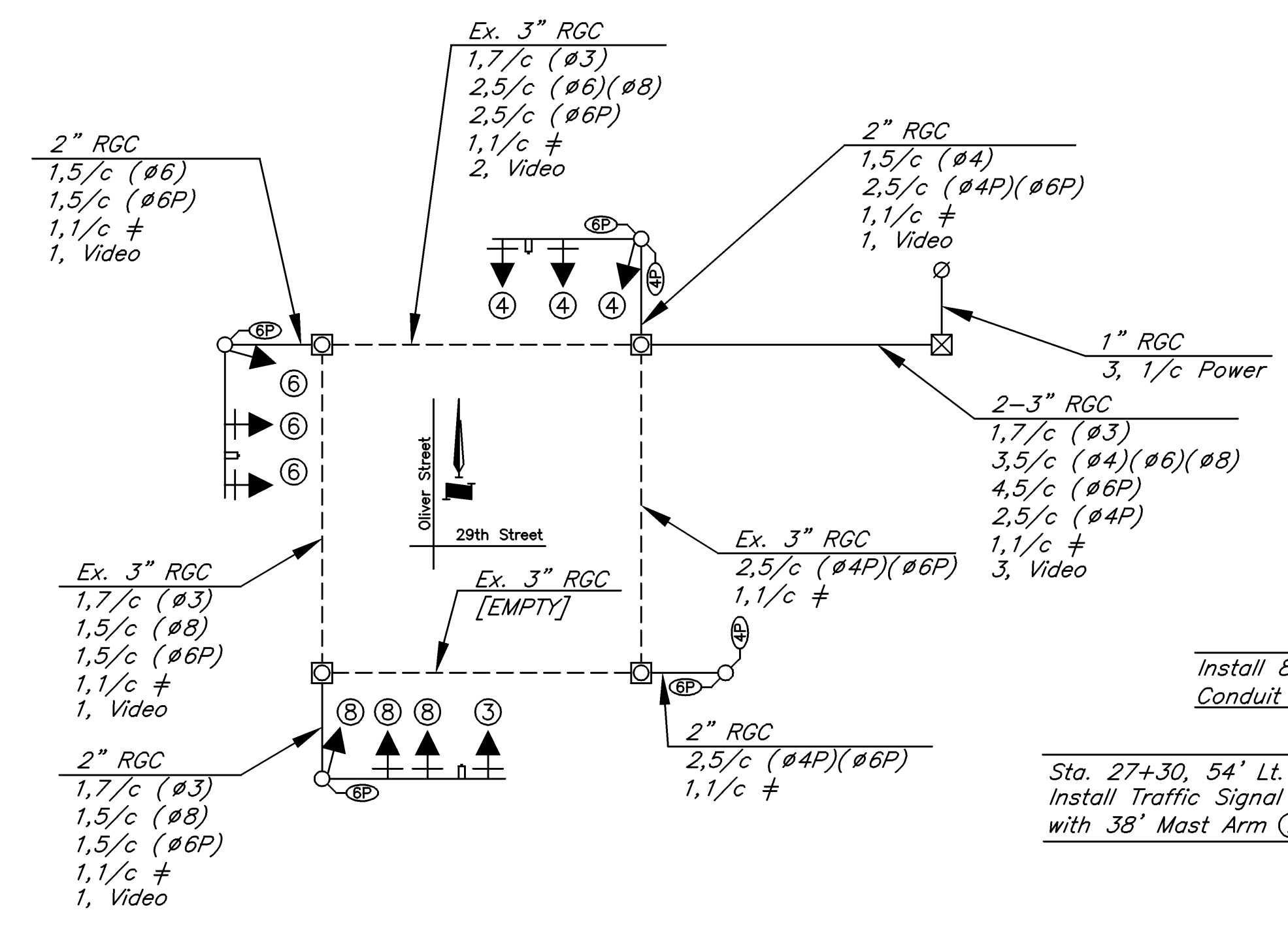


WIRING DIAGRAM

Denotes #BAWG Equipment Ground

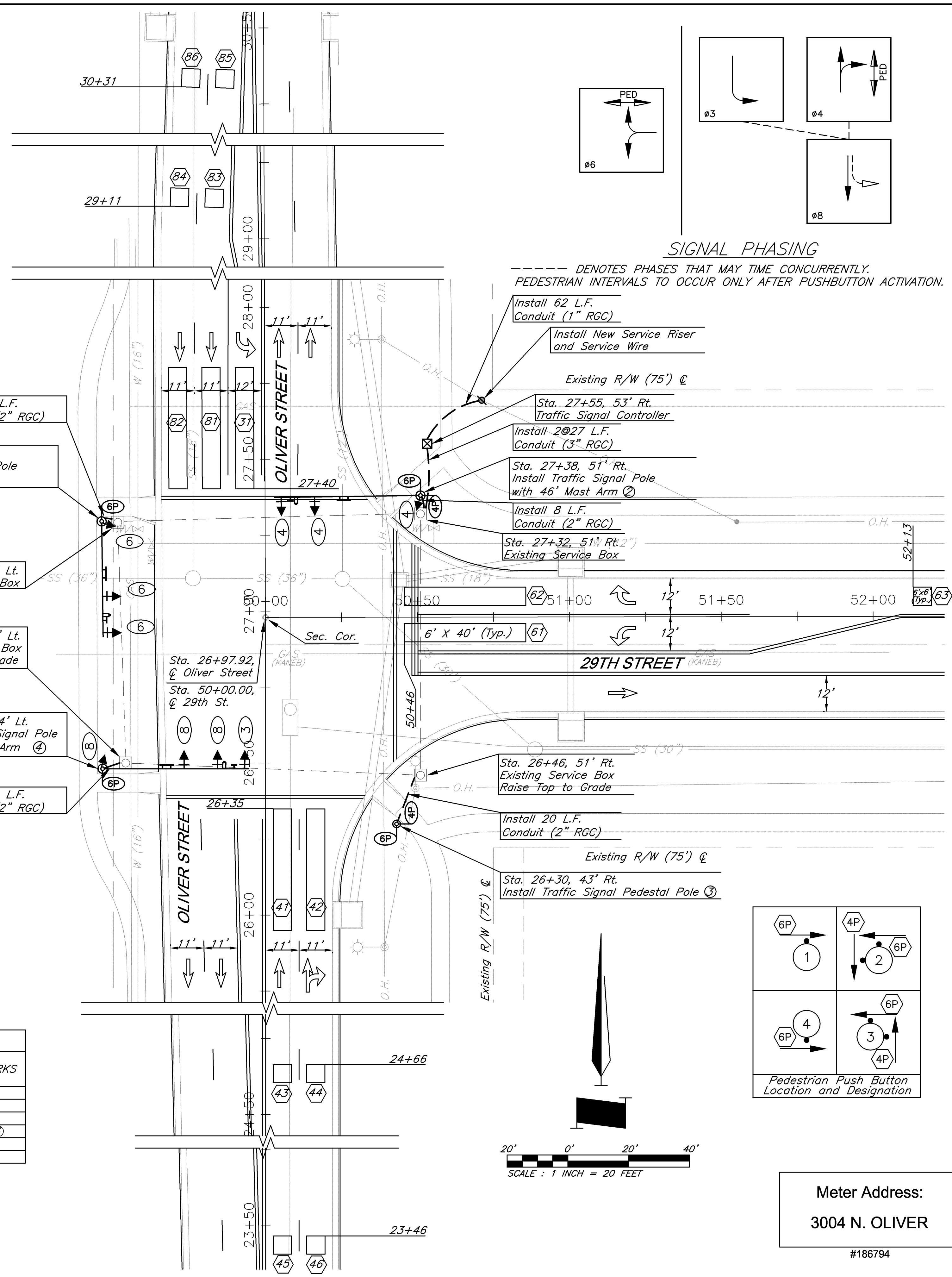
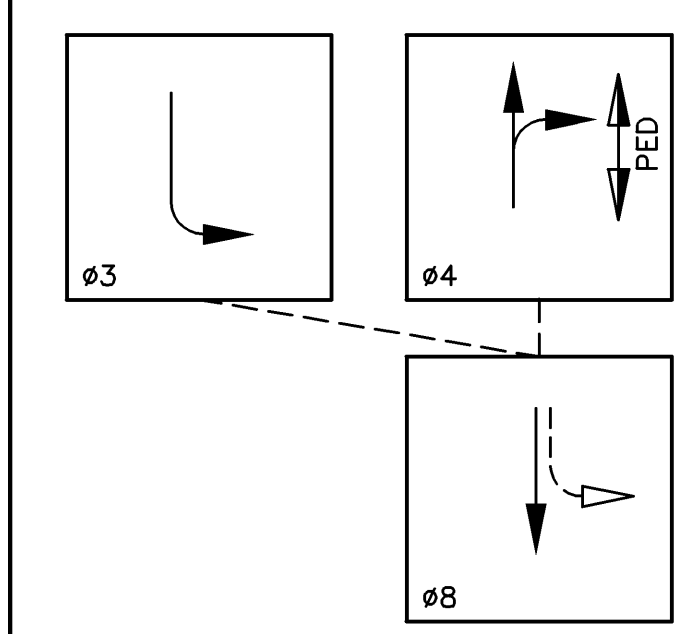


LEGEND

- Proposed Existing
- ☒ ☒ Traffic Signal Controller
 - → Traffic Signal Head
 - + → Traffic Signal Head with Backplate
 - ⊙ ⊙ Pedestrian Signal Pole
 - ⊙ ⊙ Traffic Signal Pole
 - ☀ Luminaire
 - Ⓜ Movement Number
 - ⊗ Pole Number
 - ⊥ Street Name Sign
 - ☐ ☐ Signal Service Box
 - ☐ ☐ Westar Energy Manhole
 - • Westar Energy Wood Pole
 - ○ Westar Energy Metal Pole
 - • SWB Wood Pole
 - ○ City Metal Pole
 - ⊕ ⊕ Fire Hydrant
 - ⊗ ⊗ Water Valve
 - ▨ Pavement & Walk Removal
 - Ⓜ Video Detection Camera
 - Ⓜ Zone Detection Number

SIGNAL PHASING

----- DENOTES PHASES THAT MAY TIME CONCURRENTLY.
PEDESTRIAN INTERVALS TO OCCUR ONLY AFTER PUSHBUTTON ACTIVATION.



TYPE 170 CONTROLLER SETTINGS

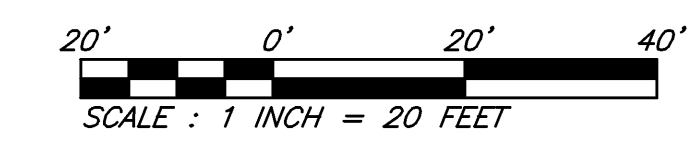
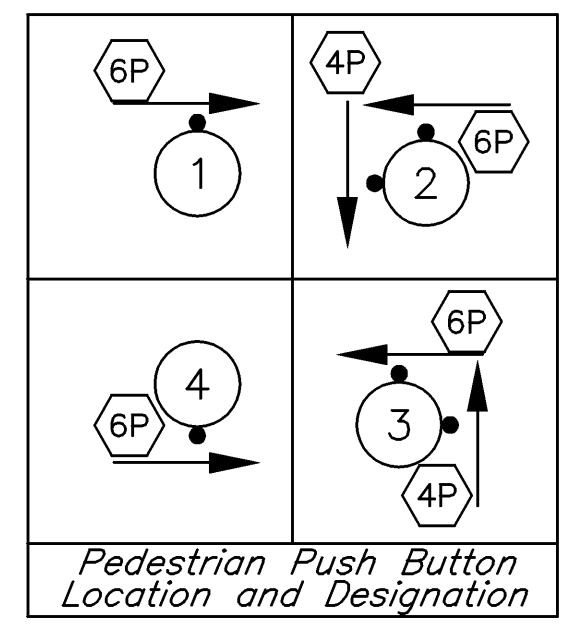
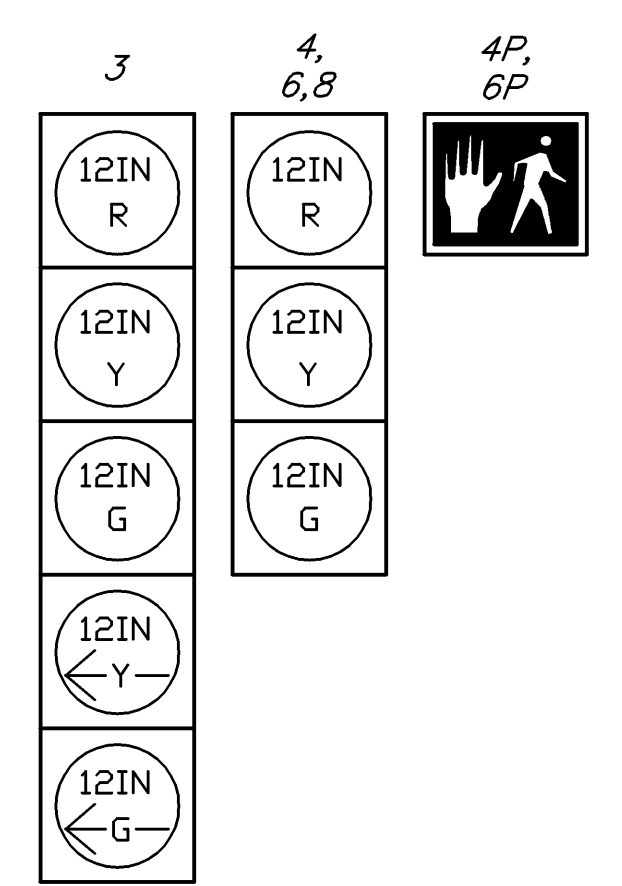
INTERVAL	"WAPITI PROGRAM"								NORMAL DISPLAY										
	1	2	3	4	5	6	7	8	PHASE				TIME CLOCK				FEATURES		
	WBLT	EB	SBLT	NB	EBLT	WB	NBLT	SB	C	F	1	2	3	4	5	6	7	8	
MAX	0		30	60	60	60	60	0	YEAR	VEH RECALL									
MAX 2	1		30	60	60	60	60	1	MONTH	PED RECALL									
WALK	2		8	8	8	8	8	2	DAY/MONTH	RED LOCK									
FL DW	3		25	25	25	25	3	DAY/WEEK	YEL LOCK										
MAX INIT.	4	6	10	10	10	10	4	HOUR	Ø PERMIT										
MIN GREEN	5	5	8	8	8	8	5	MINUTE	PED PHASES										
TBR	6	1	15	15	15	15	6	SECOND	LEAD PHASES										
TTR	7	1	25	25	25	25	7		DBL ENTRY										
	8						8		SEQUENTIAL										
PASSAGE	9	1.0	2.0	2.0	2.0	2.0	9		START UP										
MIN GAP	a	1.0	1.0	1.0	1.0	1.0	a		OVERLAP A										
ADD ACT	b	1.0	1.0	1.0	1.0	1.0	b		OVERLAP B										
YELLOW	c	3.0	4.0	4.0	4.0	4.0	c		OVERLAP C										
RED CLR	d	1.0	2.0	2.0	2.0	2.0	d		OVERLAP D										
RED REV	e						e		EXCLUSIVE										
WALK II	f						f		SIM GAP										

TRAFFIC SIGNAL POLE SUMMARY

POLE NO.	STATION	OFFSET/SIDE	TYPE	ARM LENGTH	X1	X2	X3	CAMERA	ARM BRACKET TYPE	NO.	POLE BRACKET TYPE	REMARKS
1	27+30	54' Lt.	B	38'	25'	12'	---	31'	I	2	III	②
2	27+38	51' Rt.	B	46'	35'	11'	---	40'	I	2	II & III	②
3	26+30	43' Rt.	A	---	---	---	---	---	---	---	II	
4	26+48	54' Lt.	B	48'	27'	11'	10'	43'	I	3	III	② ③

- ① A - Pedestal Pole (10' Aluminum)
- B - Pole (20' Steel with Mast Arm)
- C - Joint use Pole (35' Steel with Mast Arm)
- D - Joint use Pole (35' Steel)
- ② Street Name Sign
- ③ R10-12 Yield on Green Ball Sign

SIGNAL HEADS



Meter Address:
3004 N. OLIVER
#186794

CITY OF WICHITA, KANSAS
SEDGWICK COUNTY
TRAFFIC SIGNAL PLAN
OLIVER STREET & 29TH STREET
PROJECT NO. 472-84067

GBA GEORGE BUTLER ASSOCIATES, INC.
Engineers - Architects

DESIGNED SAC CHECKED SAC PROJ. NO. 10460.00
DRAWN JDB DATE AUGUST 17, 2004

C:\10460\10460Add\dwg\Traffic\10460\5000.dwg Layout: PLAN -- Tuesday August 17, 2004, 3:27pm -- Copyright 2004, George Butler Associates, Inc.