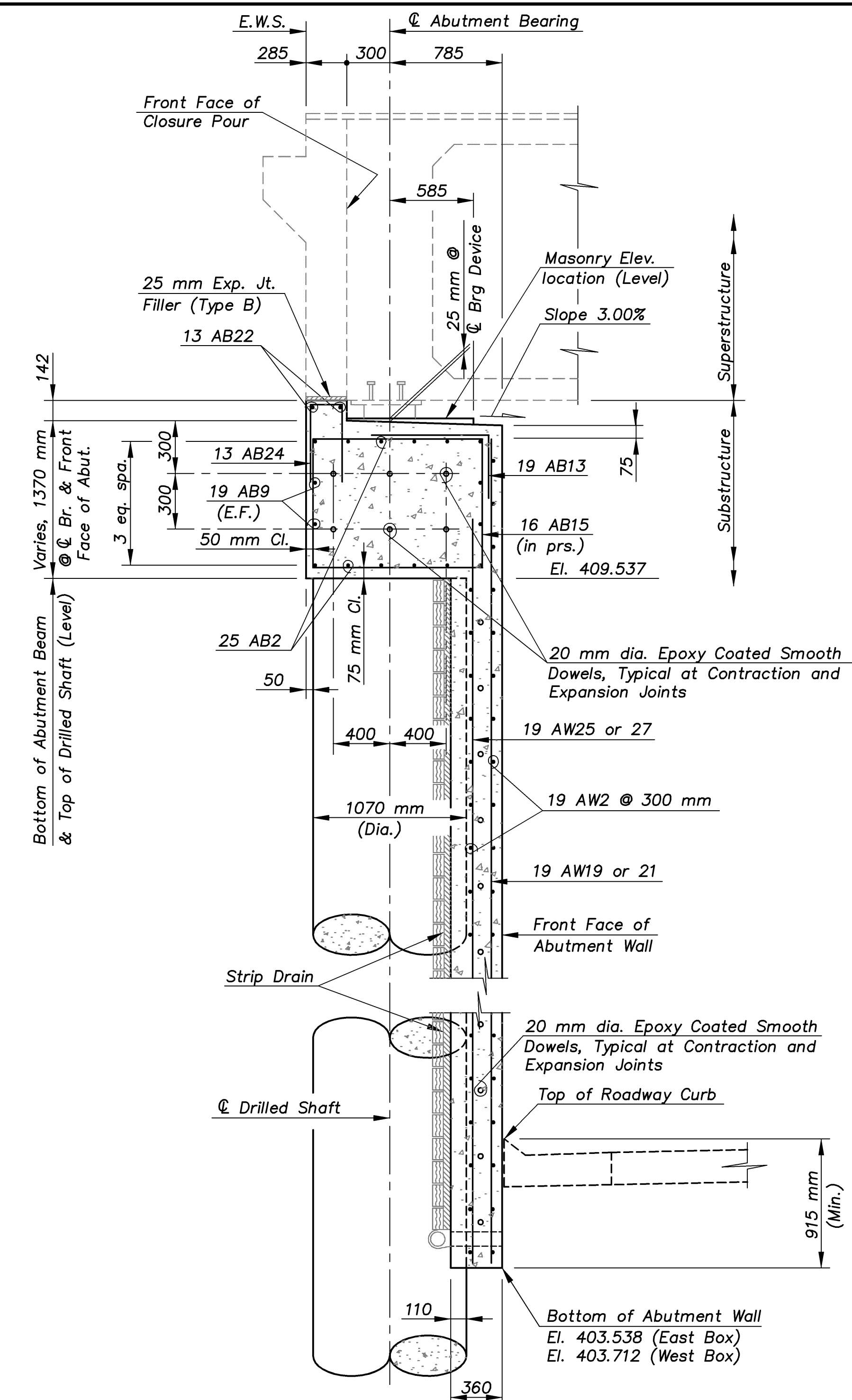


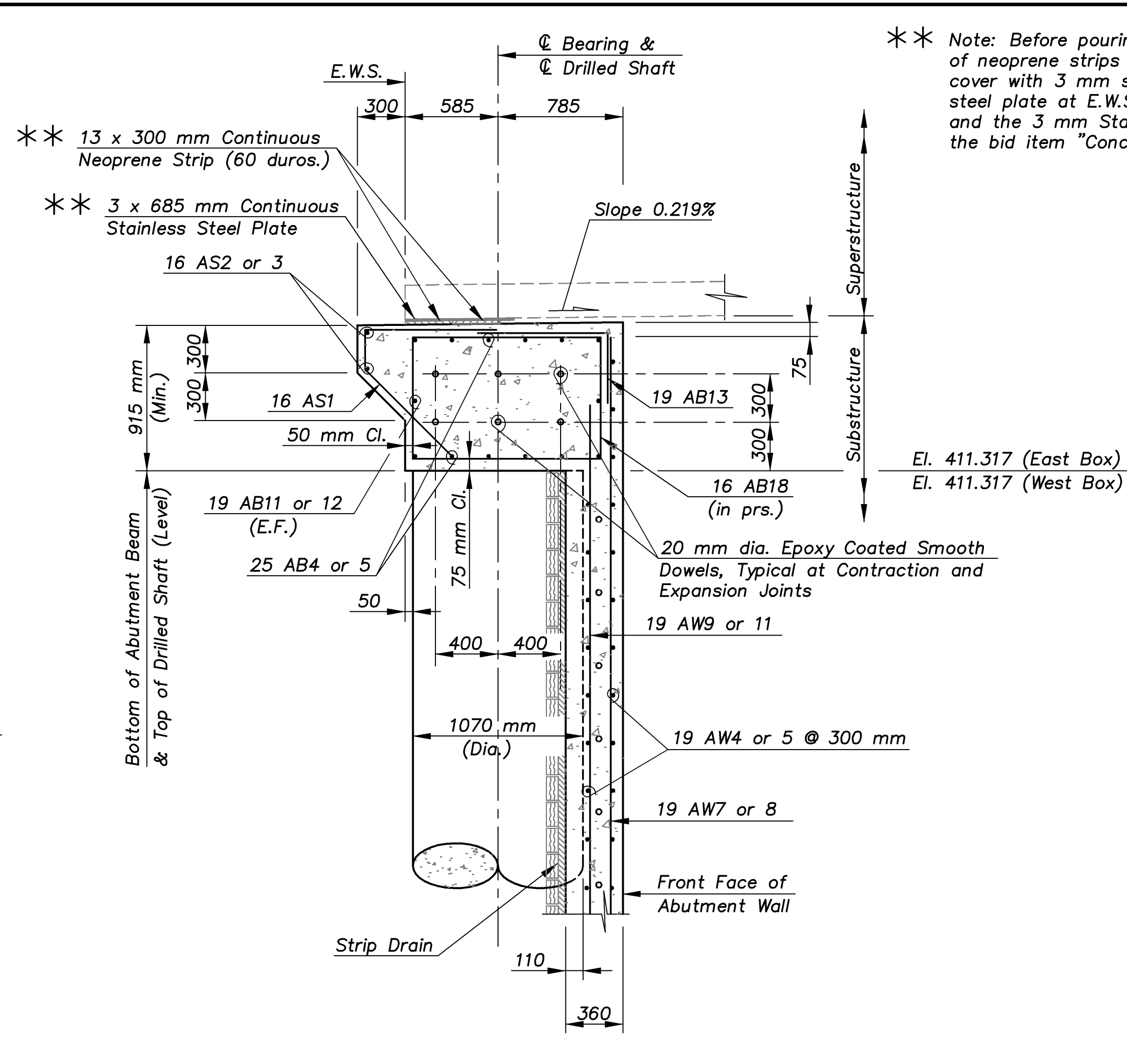
STATE	PROJECT NO.	YEAR	SHEET NO.	TOTAL SHEETS
KANSAS	54-87 K-8258-01	2007	256	556

E.F. INDICATES EACH FACE.  
N.F. INDICATES NEAR FACE.  
F.F. INDICATES FAR FACE.

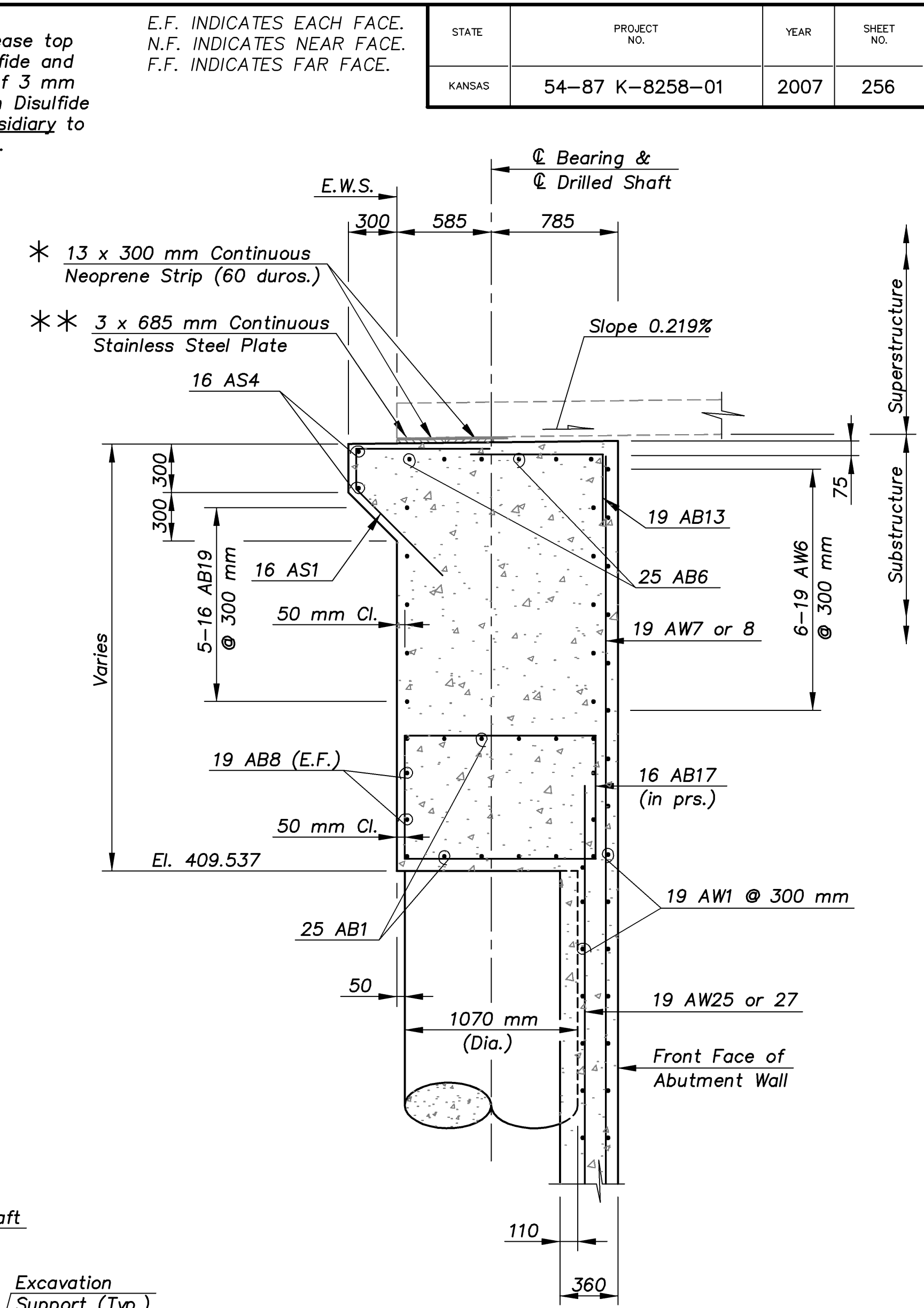
\*\* Note: Before pouring superstructure concrete, grease top of neoprene strips liberally with Molybdenum Disulfide and cover with 3 mm steel plate. Place south edge of 3 mm steel plate at E.W.S. Neoprene Strips, Molybdenum Disulfide and the 3 mm Stainless Steel Plate shall be subsidiary to the bid item "Concrete Grade 35 (SF) (AE) (SA)".



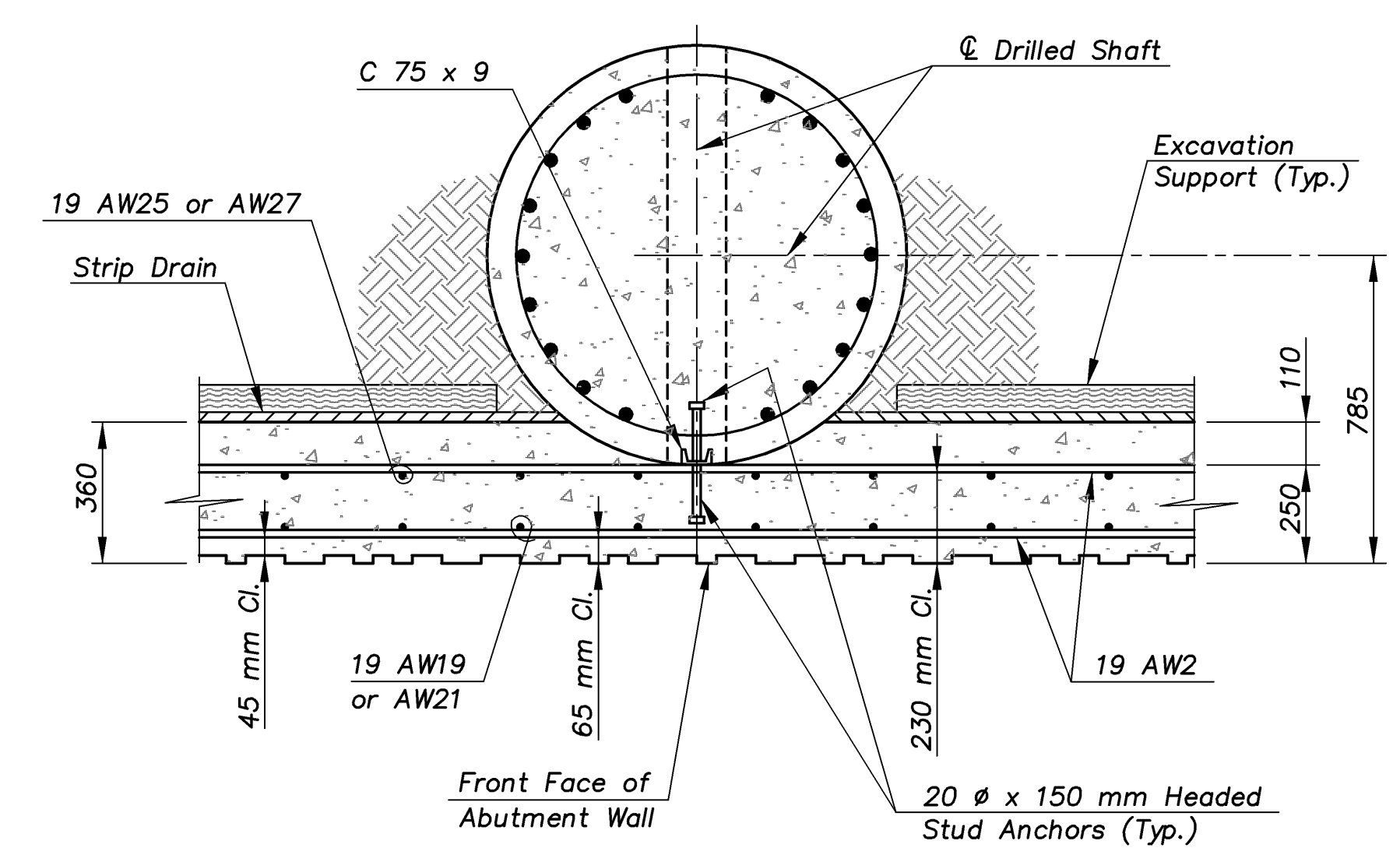
SECTION A-A



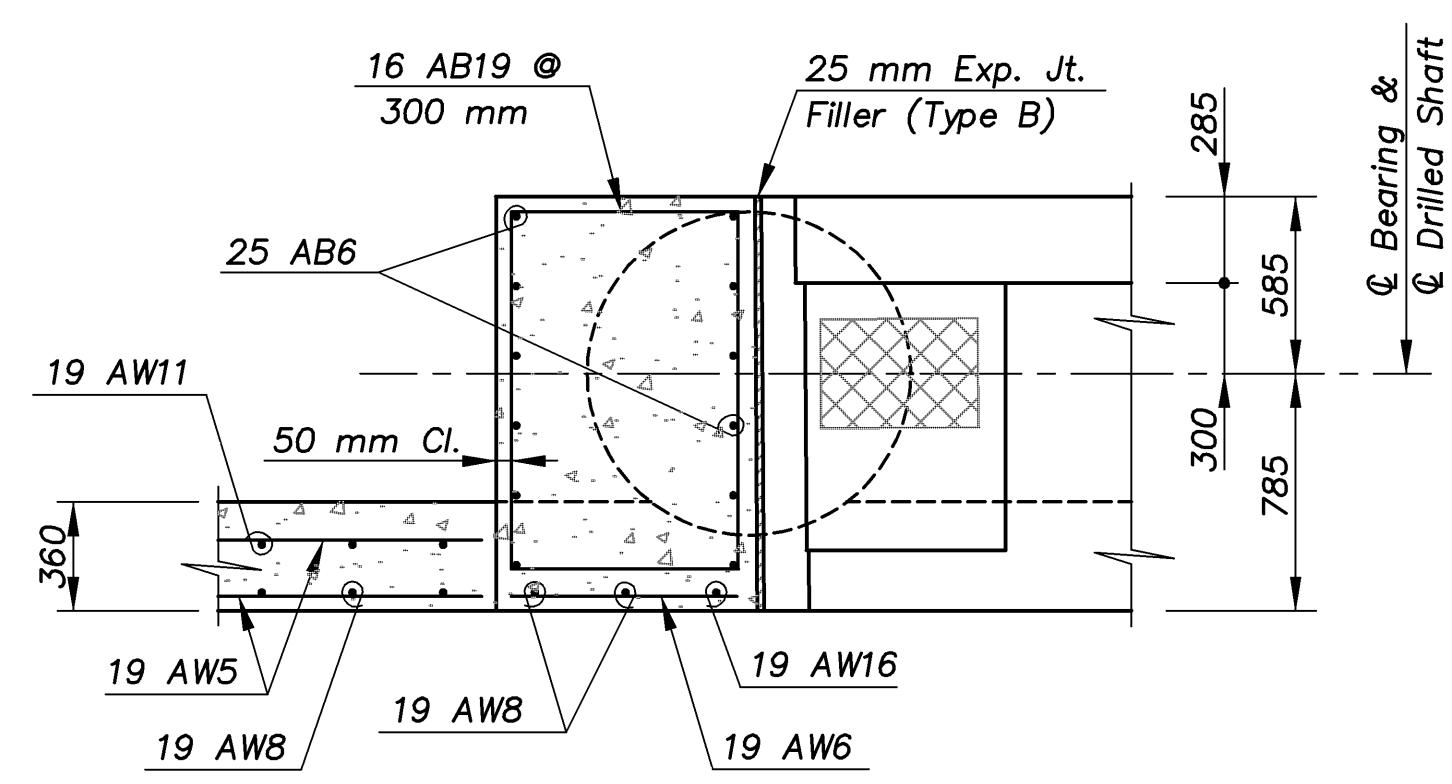
SECTION B-B



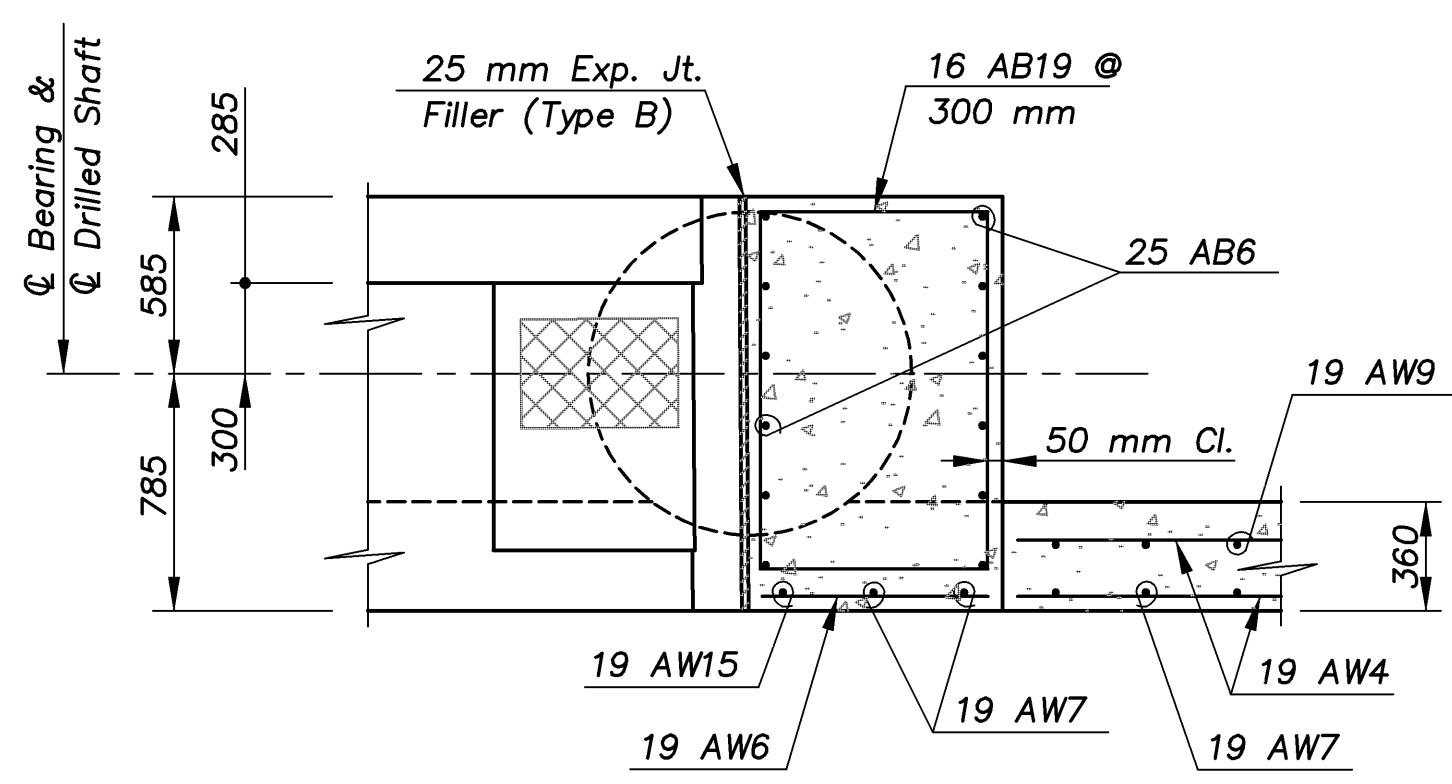
SECTION E-E



SECTION F-F




SECTION C-C



SECTION D-D

1:100  
ROCK/ABUT

KANSAS DEPARTMENT OF TRANSPORTATION		BR. NO. 54-87-31.12(702)		STA. 3+877.518	
<b>ABUTMENT NO. 1 DETAILS</b>					
ROCK ROAD OVER KELLOGG AVENUE					
Proj. No. 54-87 K-8258-01		SEDGWICK COUNTY		DESIGNED R.S.C. SCALE	
				DATED T.R.G. DATE	
				QUANTITIES T.R.G. SHEET 10 OF 41	



**Cook, Flatt & Strobel**  
ENGINEERS, P. A.