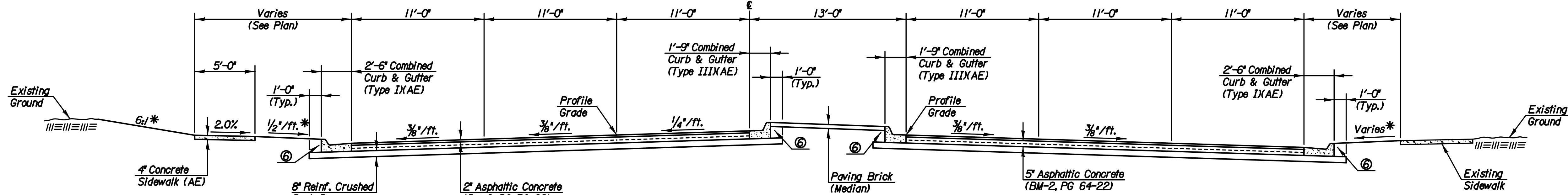
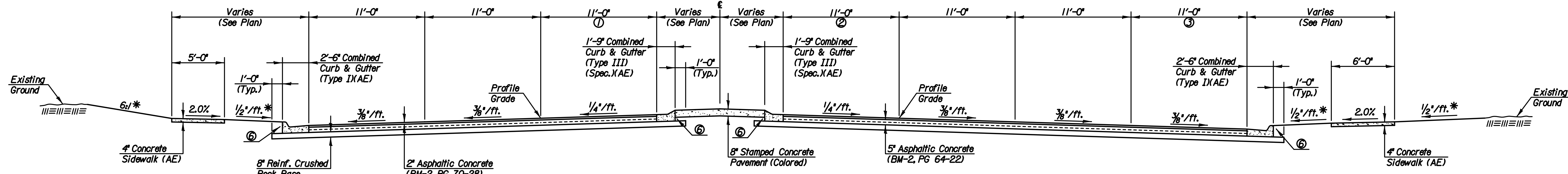


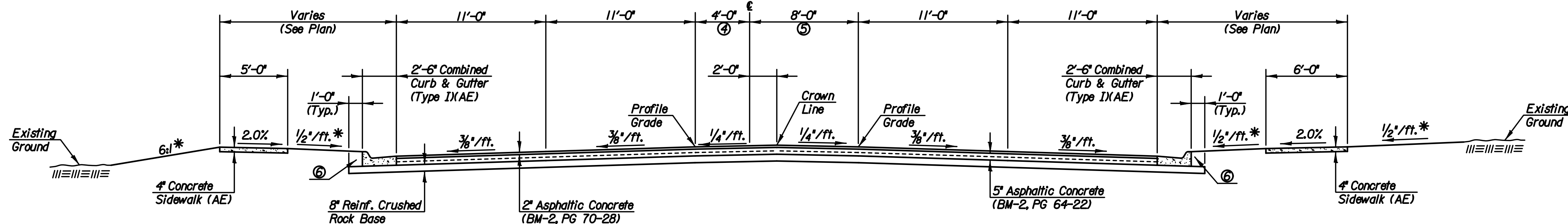
Plotted By: djb Date: 8/26/2010 14:57:23 PM
 FILE: I:\2005\05789\Typical\05789-Typsec2.dgn



TYPICAL SECTION
 119th St. Sta. 87+16.49 to Sta. 89+00



TYPICAL SECTION
 119th St. Sta. 89+00 to Sta. 90+43.08



TYPICAL SECTION
 119th St. Sta. 90+43.08 to Sta. 91+64

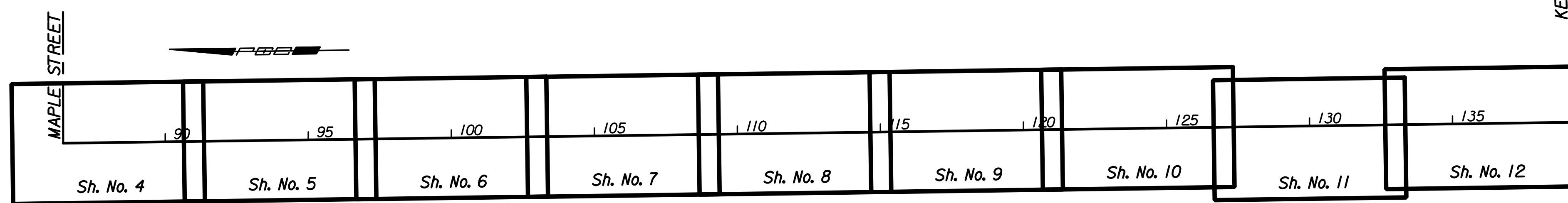
CRUSHED ROCK GRADATION REQUIREMENTS

PERCENT OF AGGREGATE RETAINED

2-1/2"	0
3/4"	20-60
*4	50-80
*40	80-94
*200	90-98

Rock quality shall conform to the requirements specified by the KDOT 2007 Edition Standard Specification Subsection 1102 for Durability Class I.

- ① Varies from 11'-0" at Sta. 89+00 to 0'-0" at Sta. 89+77.09.
- ② Varies from 0'-0" at Sta. 89+97.77 to 11'-0" at Sta. 90+43.08.
- ③ Varies from 11'-0" at Sta. 89+20 to 0'-0" at Sta. 90+20.
- ④ Varies from 6'-4" at Sta. 90+43.08 to 4'-0" at Sta. 91+10.
- ⑤ Varies from 9'-8" at Sta. 90+43.08 to 8'-0" at Sta. 91+10.
- ⑥ Backfill behind Curb. Quantities for this work are included in the Earthwork Summary Table.
- * See cross-sections for variations.



No.	Revision	By	Date
	119TH STREET		
TYPICAL SECTIONS			
JAMES L. ARMOUR, P.E. - CITY ENGINEER CITY OF WICHITA PROJECT NO. 472-34850			
Professional Engineering Consultants, P.A. 303 S. TOPEKA - WICHITA, KANSAS 67202 316-262-2691 • FAX 316-262-3003			
Designed by	CKC	Job No.	05789
Drawn by	CKC	Date	August 2010
			Sht. 2 of 152

