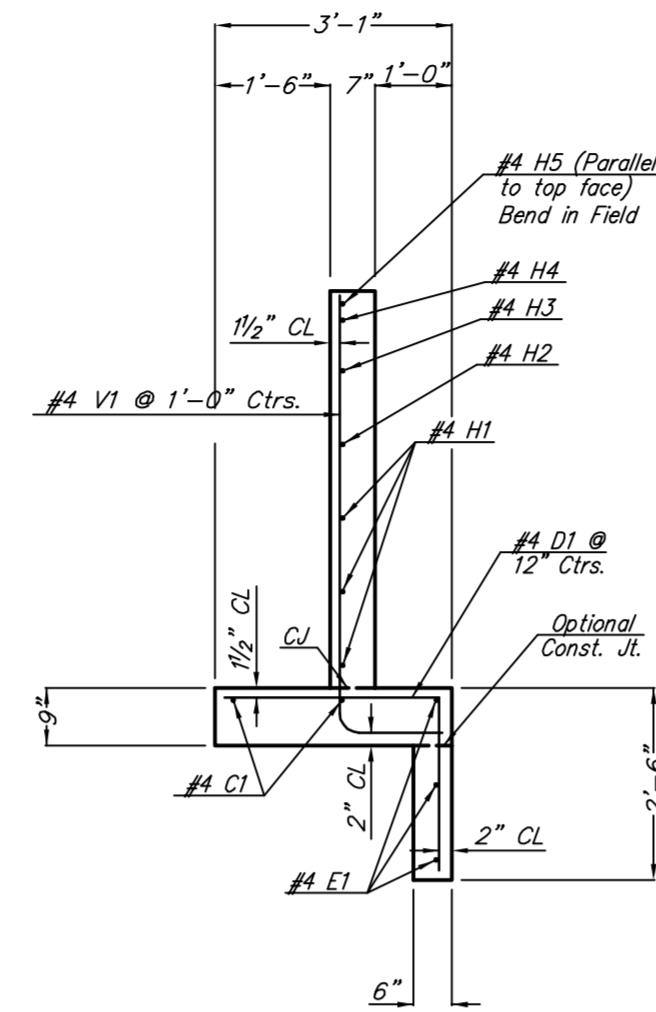
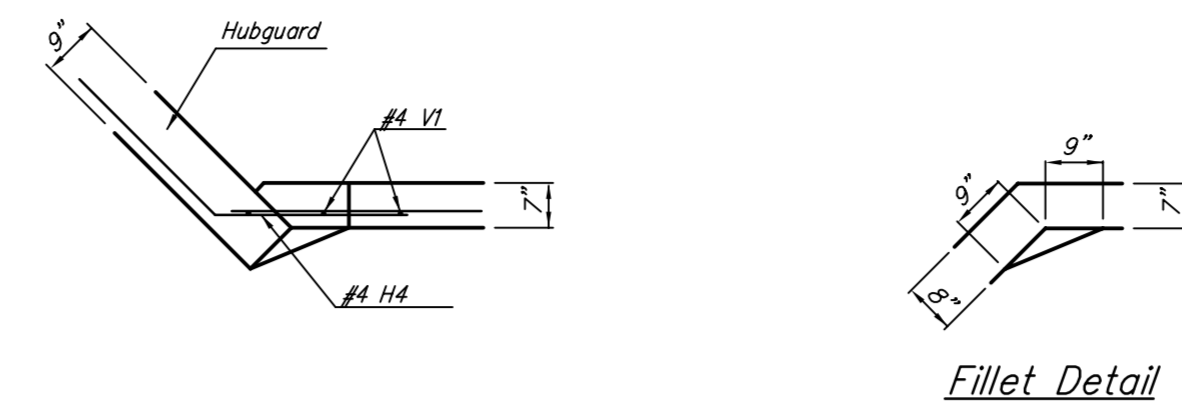


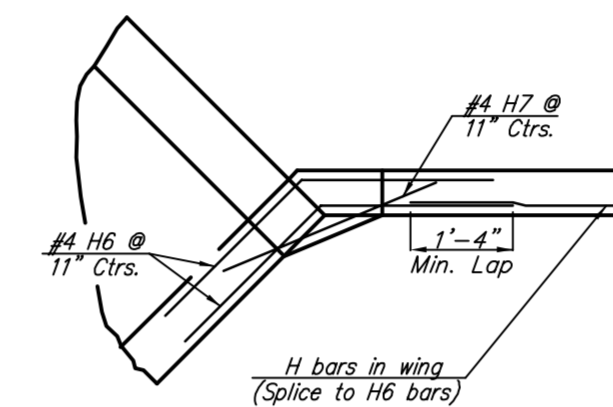
SIDE VIEW



SECTION A-A

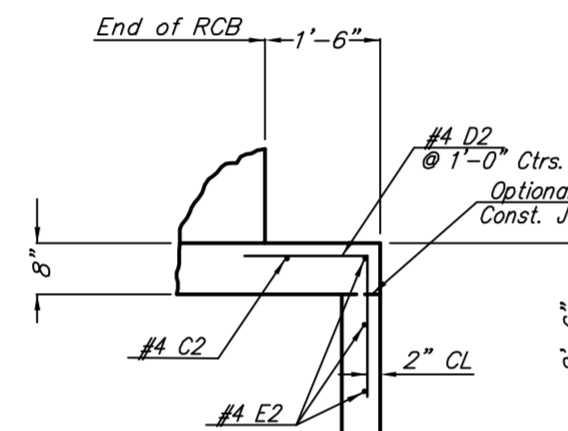


DETAIL OF WINGWALL ABOVE RCB TOP (Plan View)



DETAIL OF 9" x 9" FILLET (Plan View)

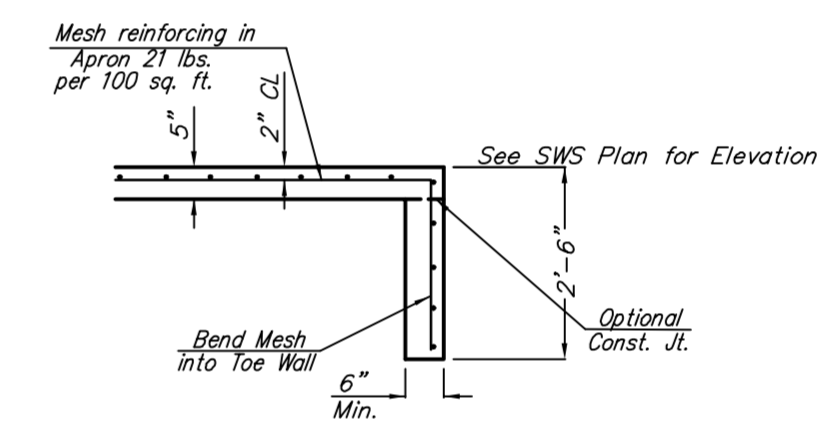
See "RCB Aux. Details" sheet for requirements of Wingwall Subbase.



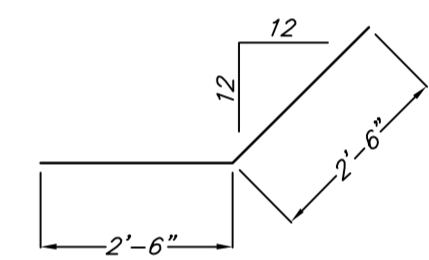
SECTION D-D

NOTE:
 EF = Each Face
 NS = Near Side
 FS = Far Side
 CJ = Const. Joint

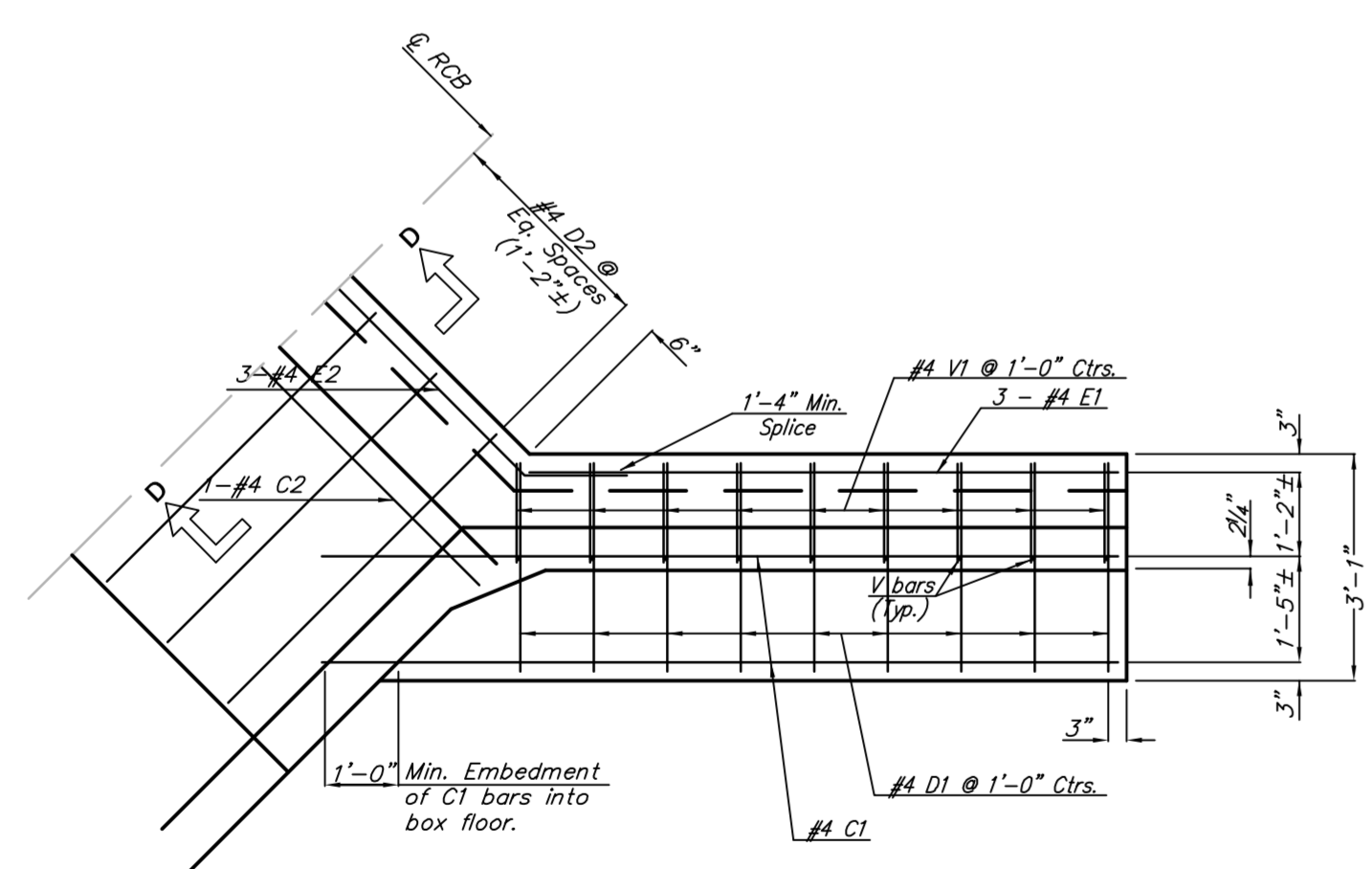
NOTE: Const. Jt. may be used as Contractor's option when approved by the Engineer. D1 bars or mesh may be spliced thus:
 Minimum overlap shall be 1'-3". No increase in quantities or cost shall be allowed when Contractor elects this option.



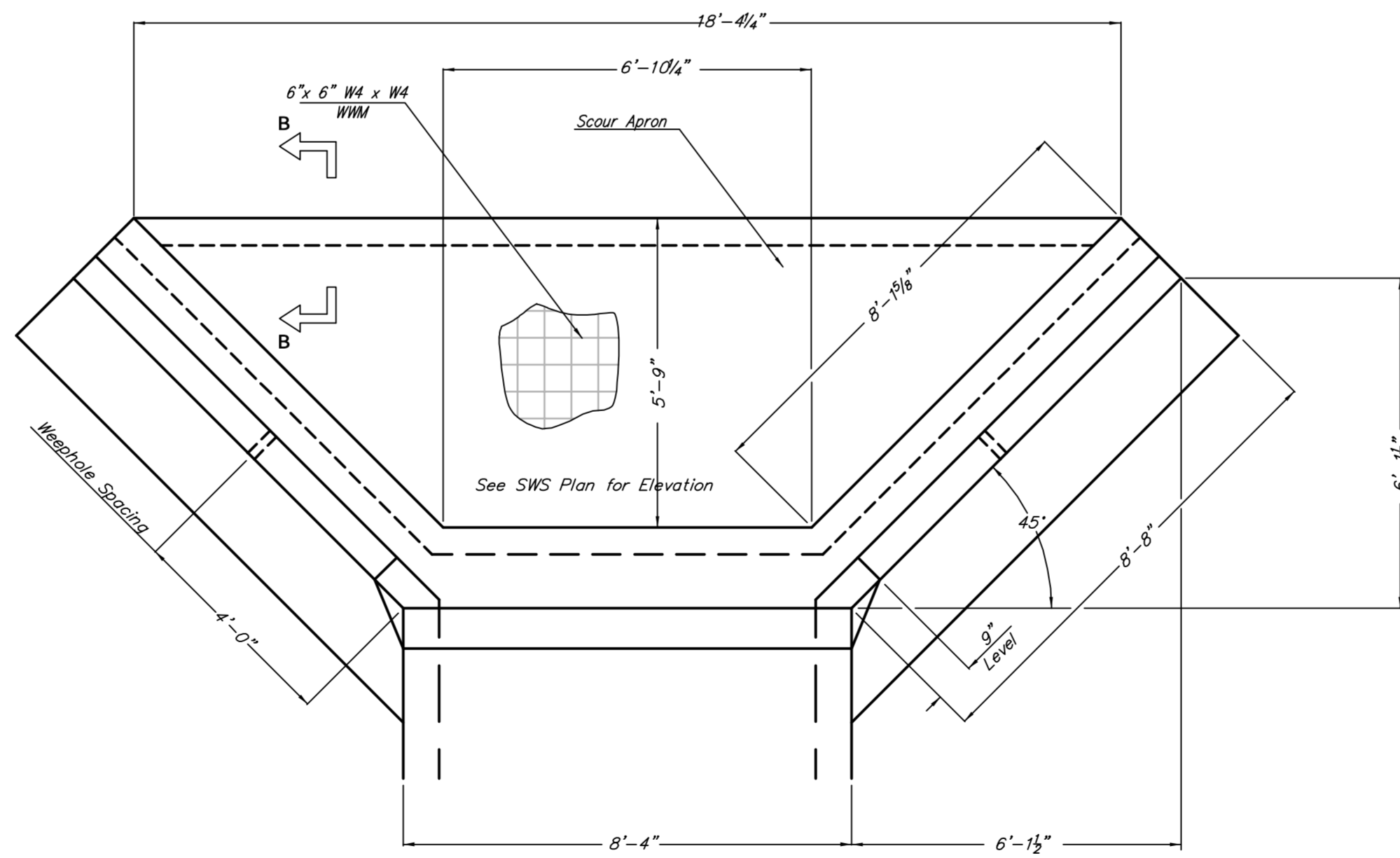
SECTION B-B



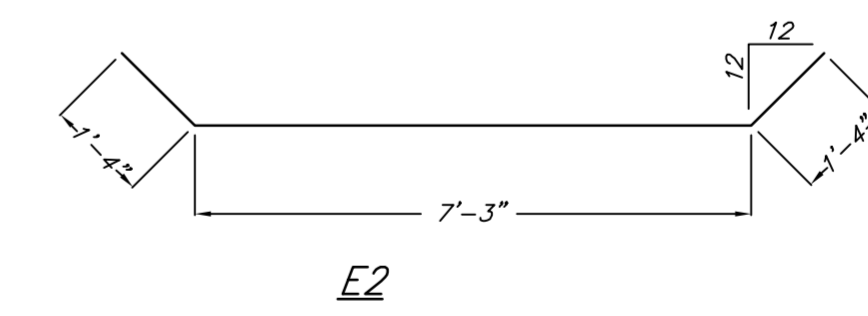
H4 & H6



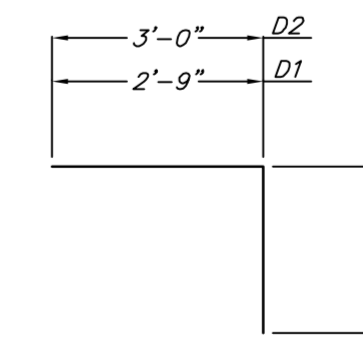
SECTION C-C (Plan of Footing)



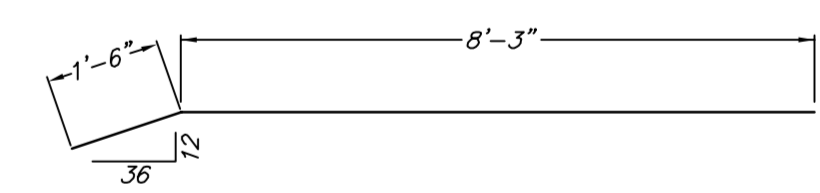
PLAN VIEW



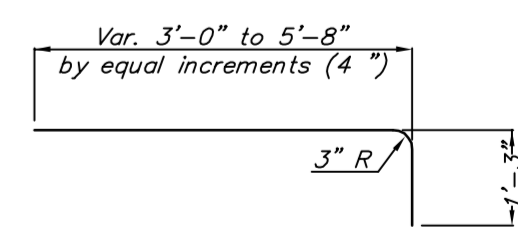
E2



D1, D2



H5



V1 (Cut 2 each length)

Bar Schedule

H1				H2				H3				H4				H5				H6				H7			
Size	Spa.	No.	Length	Size	Spa.	No.	Length	Size	Spa.	No.	Length	Size	Spa.	No.	Length	Size	Spa.	No.	Length	Size	Spa.	No.	Length	Size	Spa.	No.	Length
4	1 1/2"	6	7'-5"	4	1 1/2"	2	5'-3"	4	1 1/2"	2	3'-4"	4	1 1/2"	2	5'-0"	4	-	2	9'-9"	4	1 1/2"	20	5'-0"	4	1 1/2"	10	3'-0"

C1				C2				D1				D2				E1				E2				V1			
Size	Spa.	No.	Length	Size	Spa.	No.	Length	Size	Spa.	No.	Length	Size	Spa.	No.	Length	Size	Spa.	No.	Length	Size	Spa.	No.	Length	Size	Spa.	No.	Length
4	1'-4"	4	10'-10"	4	-	1	8'-5"	4	1'-0"	18	4'-11"	4	1'-2"	6	5'-2"	4	1'-2"	6	8'-0"	4	1'-2"	3	9'-11"	4	1'-0"	18	*

NOTE: Reinforcing Bar List is for outlet at one end of box only.

* See Bending Diagram

Summary of Quantities	
Concrete (Grade 4.0)	
Wingwalls	4.10 C.Y.
Apron	2.00 C.Y.
Soil Saver	0.7 C.Y.
Reinforcing Steel	381.2 Lbs
Welded Wire Fabric (112.4 S.F.)	23.6 Lbs

Design: KK
 Drawn: TCA
 Approved: JFB
 Scale:
 Project No. 05-10E397 CAPITAL IMPROVEMENT PROJECT
FLARED WINGWALLS Ln 1 Sta. 34+91.50, Ln 2 Sta 0+21.48
 4 ft. Rise (0° Skew)(2 - 7' x 4')
 47th Street Paving Project

Baughman Company, P.A.
 315 Ellis St., Wichita, KS 67211 P 316-262-7271 F 316-262-0149
 ENGINEERING | SURVEYING | PLANNING | LANDSCAPE ARCHITECTURE